

## Description

The AEM-DR2 has 2 independent and isolated main circuit inputs , can use for different power system. Up to 24 single phase or 8 three-phase circuits, programmable from push buttons with LCM display panel, or using Adtek program software through RS 485 communication port.

Hardware standard built in a RS485 Modbus communication port , 2 Digital inputs, 4 Relay outputs, LCM and 2 MB flash for data-logging.

Optional second communication port for Ethernet, ProfiBus ,LonWorks ,BACnet and Zigbee solutions.

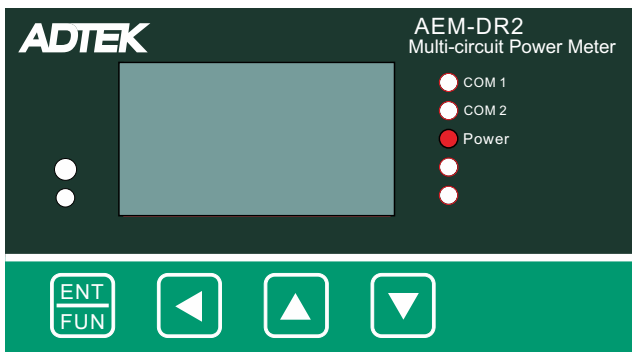
Din rail mounting , compact and easy installation, programming through computer and push buttons easy to use.



## Features

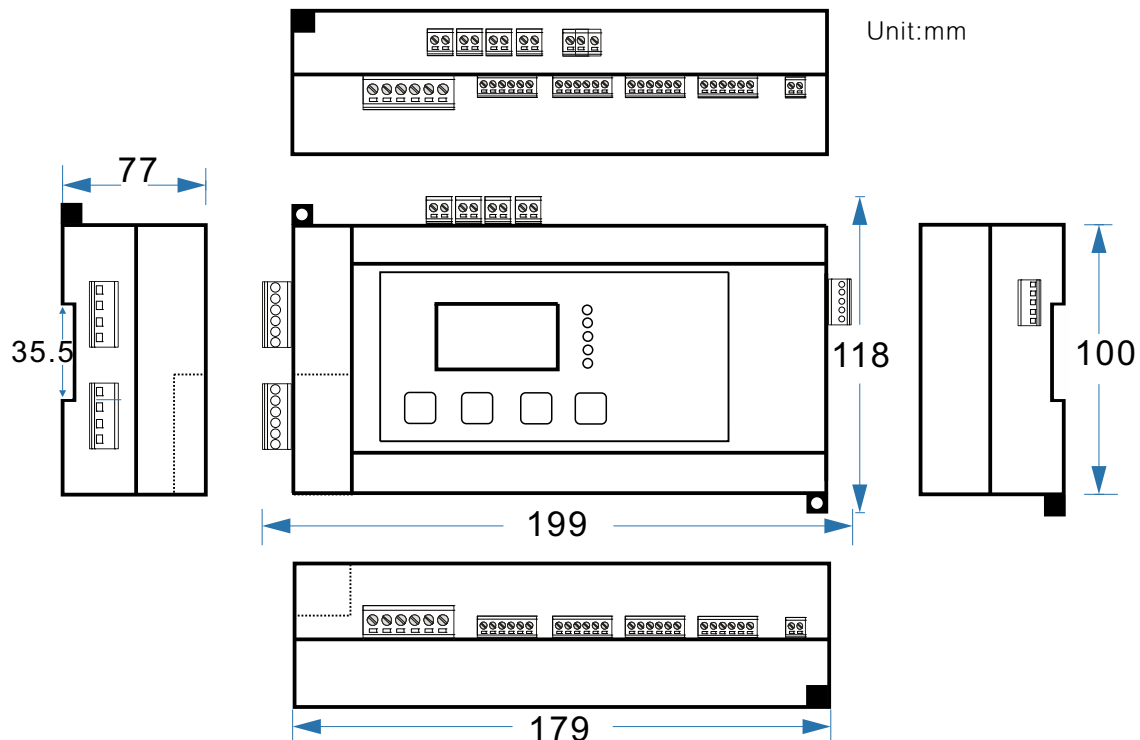
- Up to 24 single phase or 8 three-phase sub-circuit metering , can be program according to your needs.
- Sub circuit voltage can be assigned via software without change of actual wiring.
- Optional 2 Main circuit measurement, each isolation for use in 2 different power input system.
- 4 Relay outputs, up to 48 parameters setting for alarm
- 128 X 64 dots matrix LCM with white backlight
- Optional second communication port for Modbus, LonWorks,ProfiBus, BACnet , Ethernet or Zigbee
- Main circuit and sub-circuit current input for clamp type split-core CT.

## Front Panel

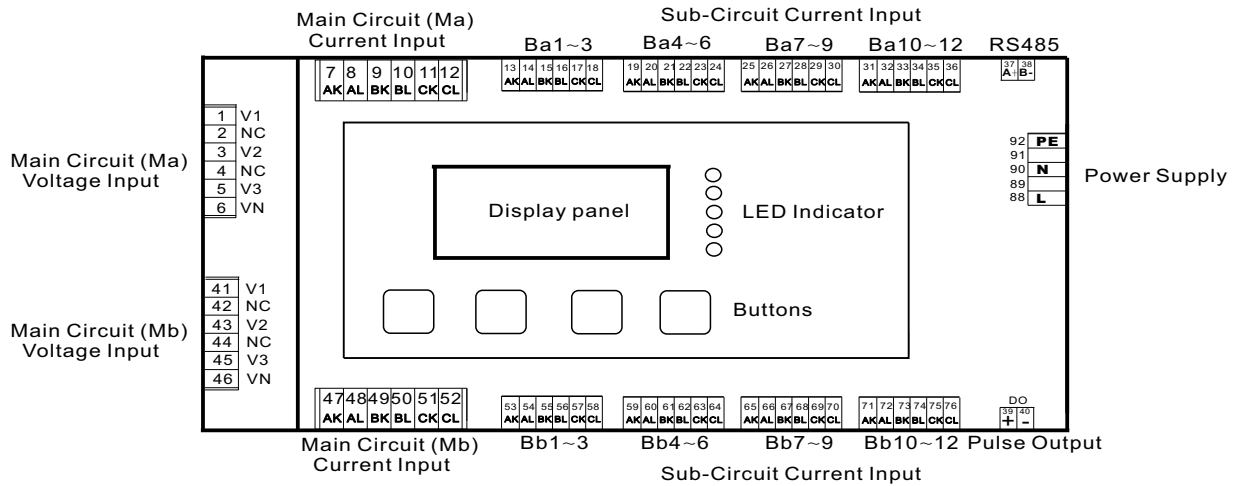
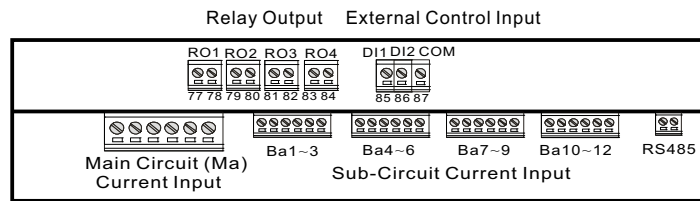


- Enter / Function key
- Shift key / press one second back to the menu
- Up / Increase key
- Down / Decrease key
- Indicator LED

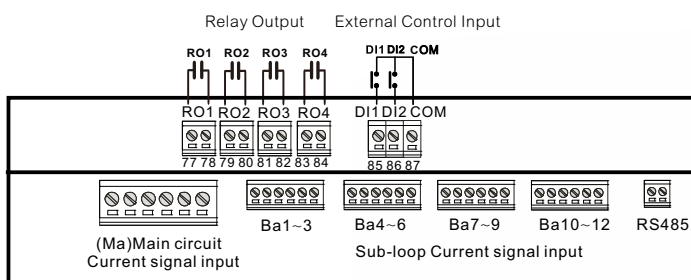
## Dimensions



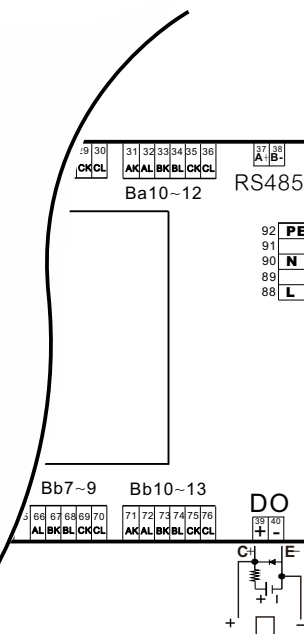
# Device Connection Assignment



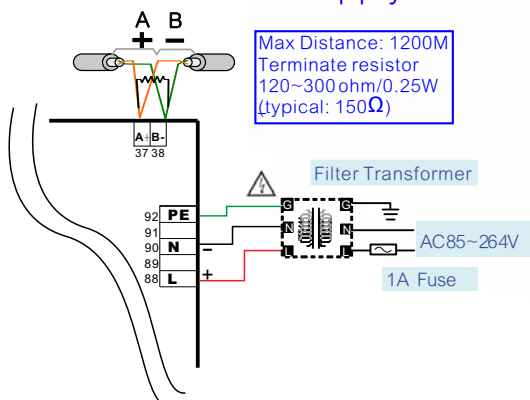
## Output & Input Connection



## Pulse Output Connection



## Communication and Power Supply

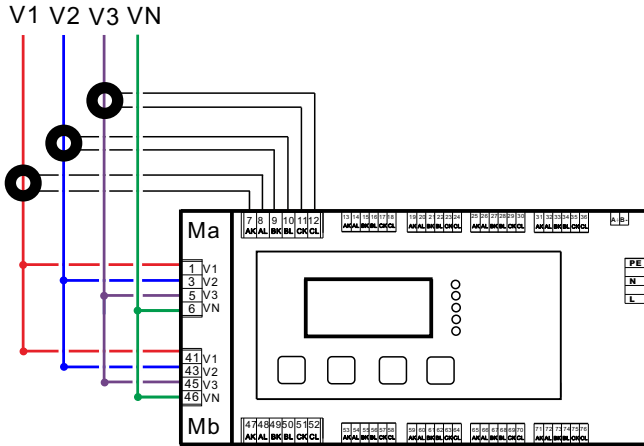


## ■ Metering System Type Connection - Main Circuit (Ma、Mb)

Ma and Mb inputs are isolated, main circuit current input 5A, different metering system connection is allowed. Voltage input same as example, when there is only one main current input, refer to below examples

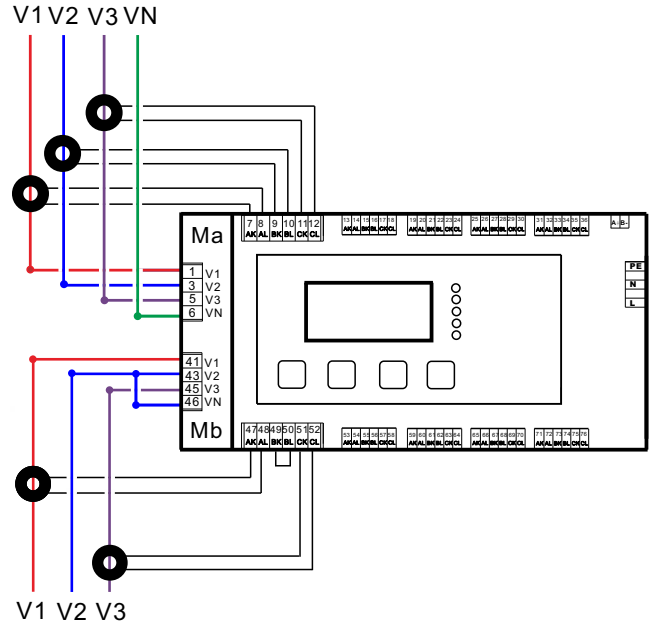
### Example 1:

Single Main Circuit:3P4W  
CT input can be connected to Ma or Mb.



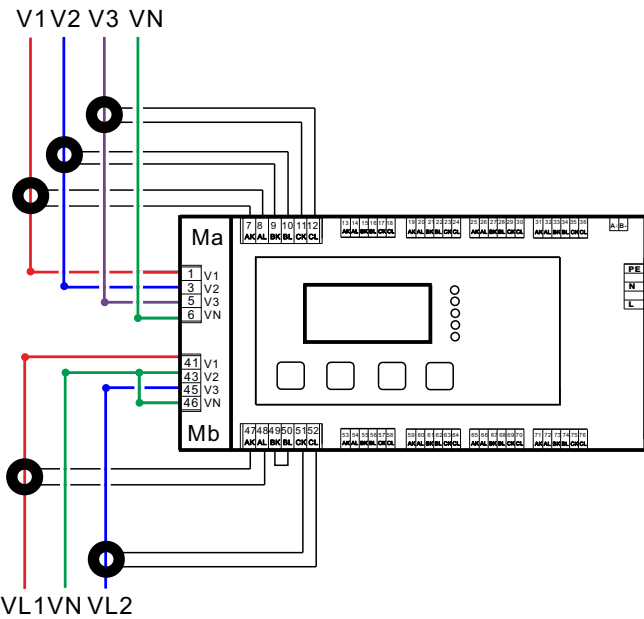
### Example 2:

Double Main Circuit:3P4W+3P3W



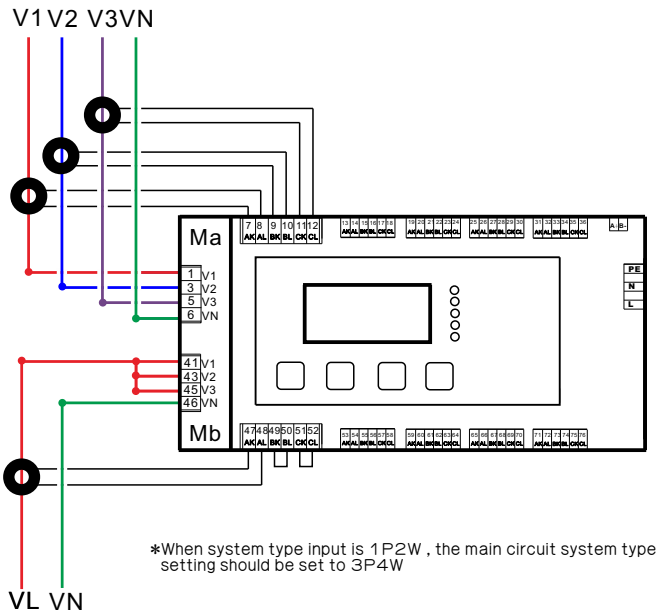
### Example 3:

Double Main Circuit:3P4W+1P3W



### Example 4:

Double Main Circuit :3P4W+1P2W



\*When system type input is 1P2W, the main circuit system type setting should be set to 3P4W

**Metering System Type Connection - Sub- Circuit** (Attention: Clamp CT secondary side output is 333mVac)

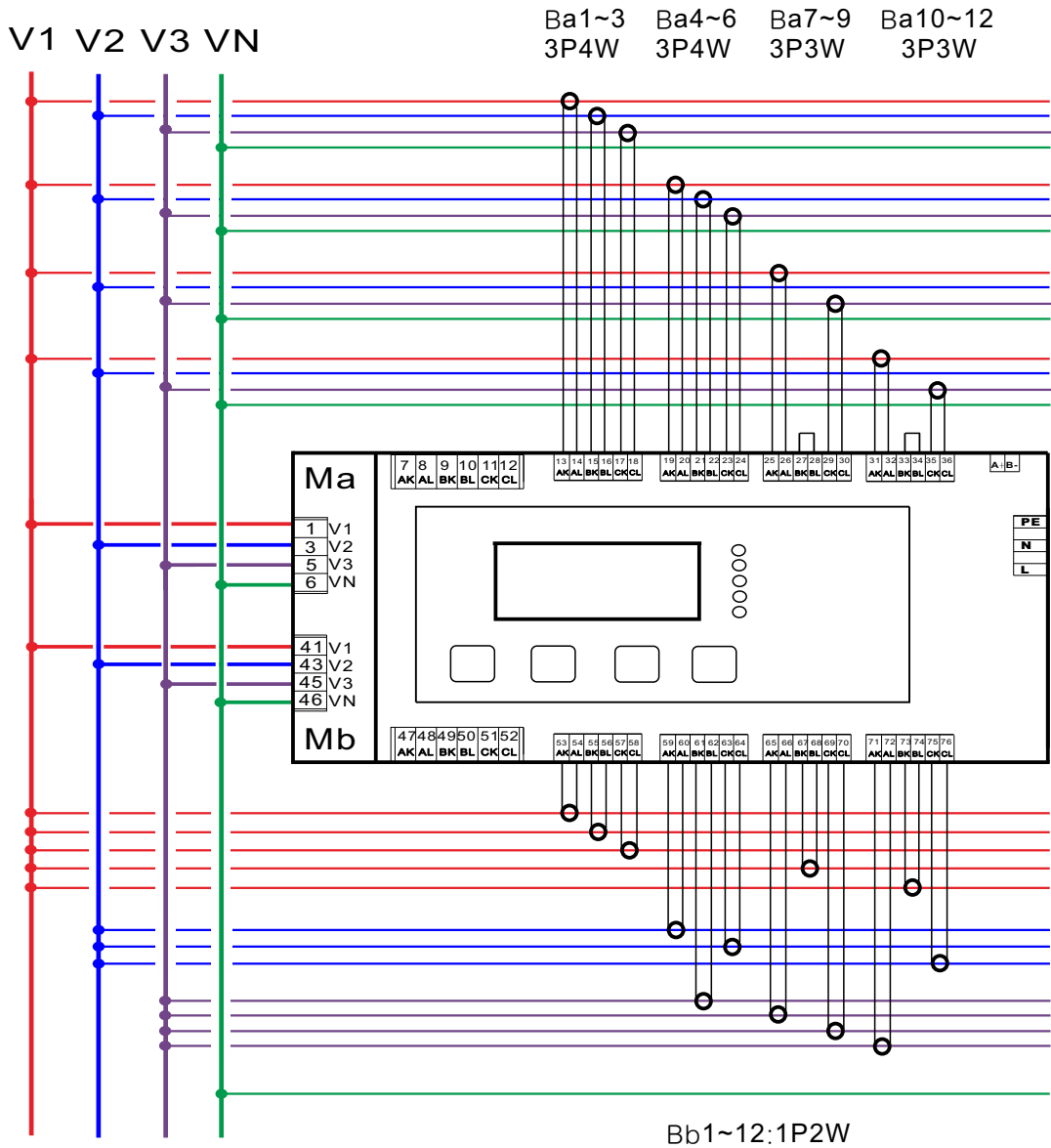
The voltage phase of each sub-circuit (ex. Ba1~3) are refer to main circuit voltage input V1~V3 , others sub-circuit sets same as . And the voltage phase of sub-circuit can be change to refer different phase of voltage input , depend upon which phase was CT metering .

The metering system type could be set up independent of each sub-circuit set , but will be limited to main circuit system type .Refer to table as below :

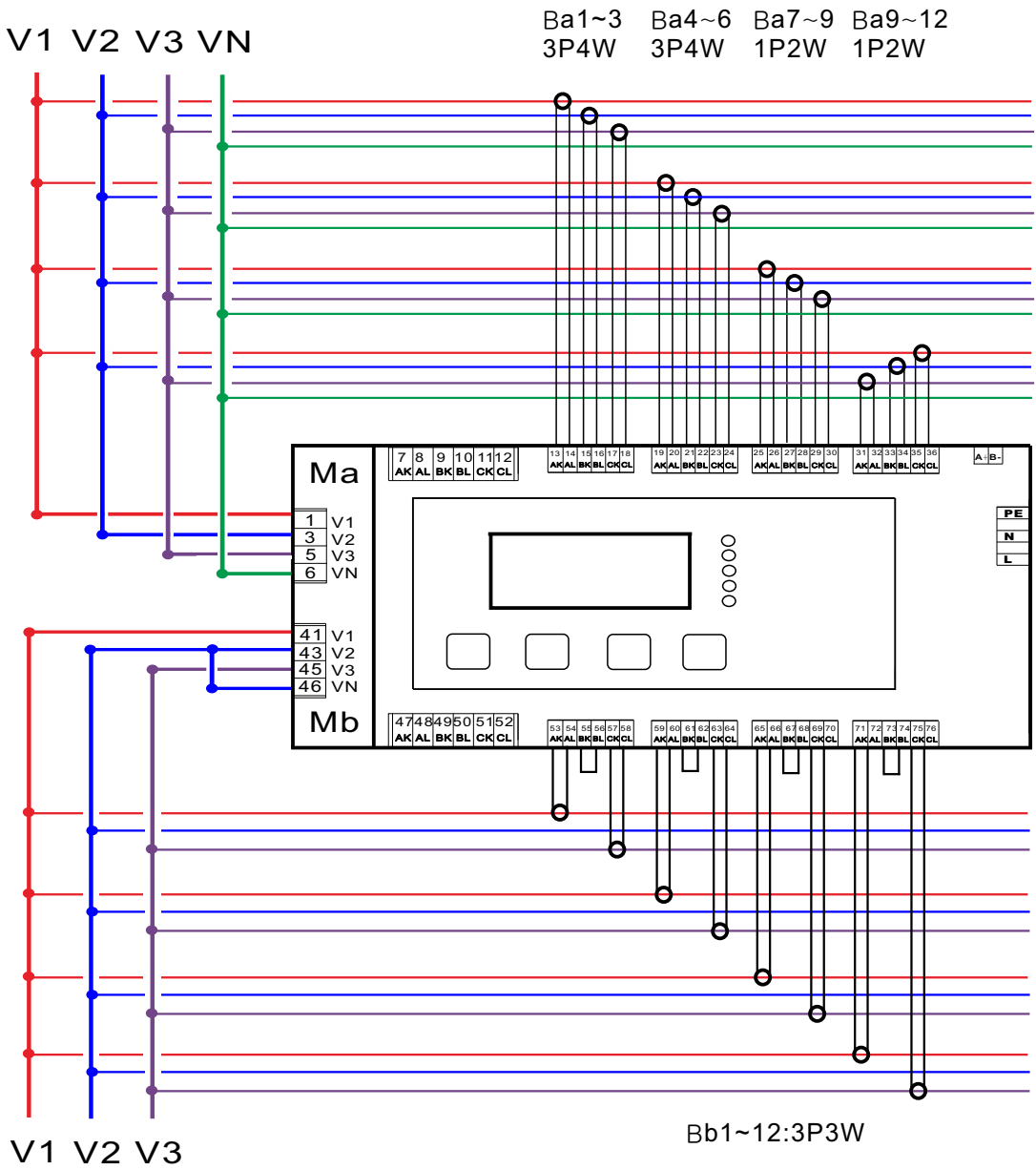
Main Circuit System Type	Sub Circuit set up			
	1P2W	1P3W	3P3W	3P4W
1P2W	○	×	×	×
1P3W	○	○	×	×
3P3W	×	×	○	×
3P4W	○	×	○	○

Example1:

Main Circuit System Type: Ma=Mb=3P4W

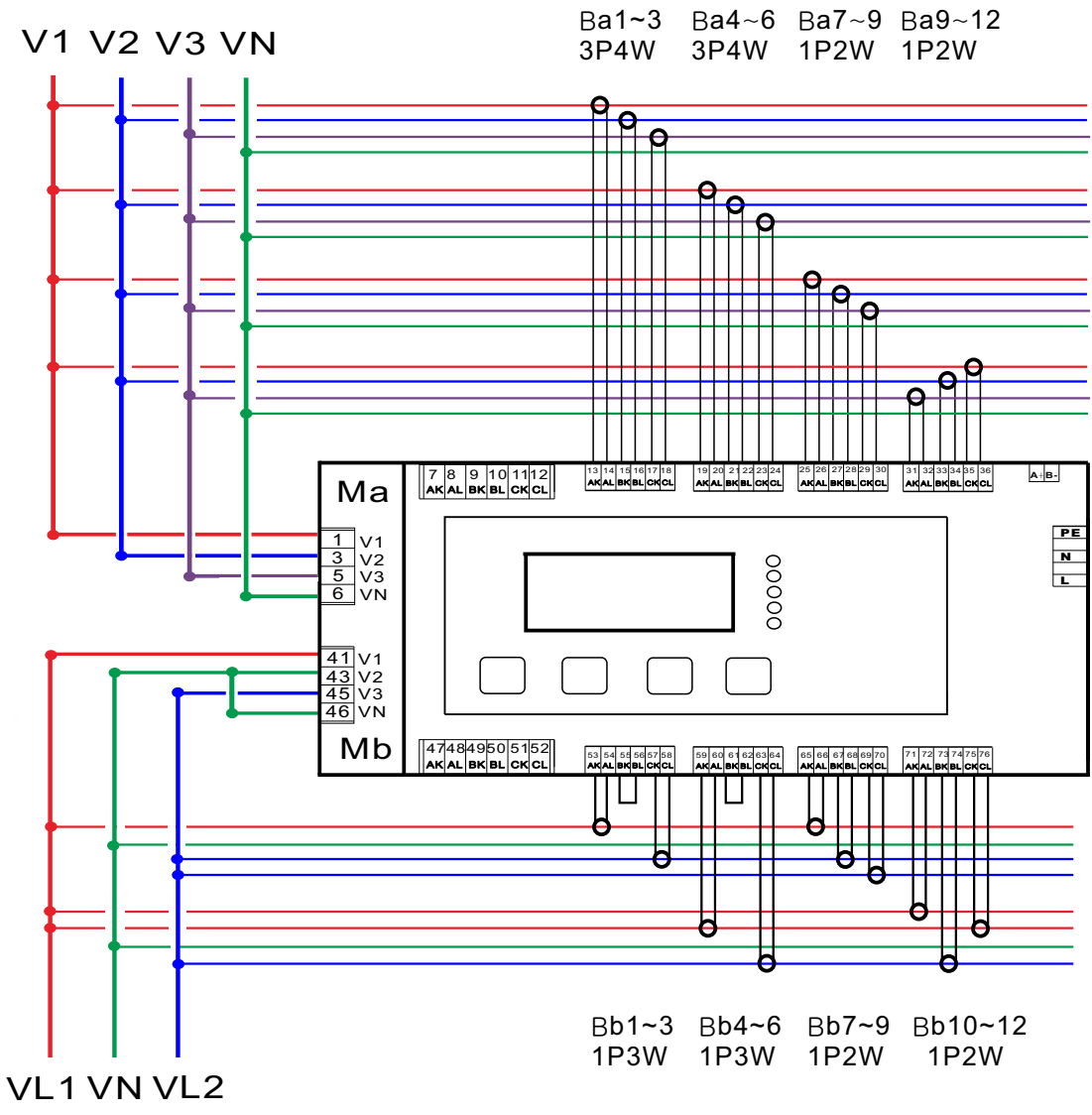


Example2:  
 Main Circuit System Type :Ma=3P4W  
 Mb=3P3W

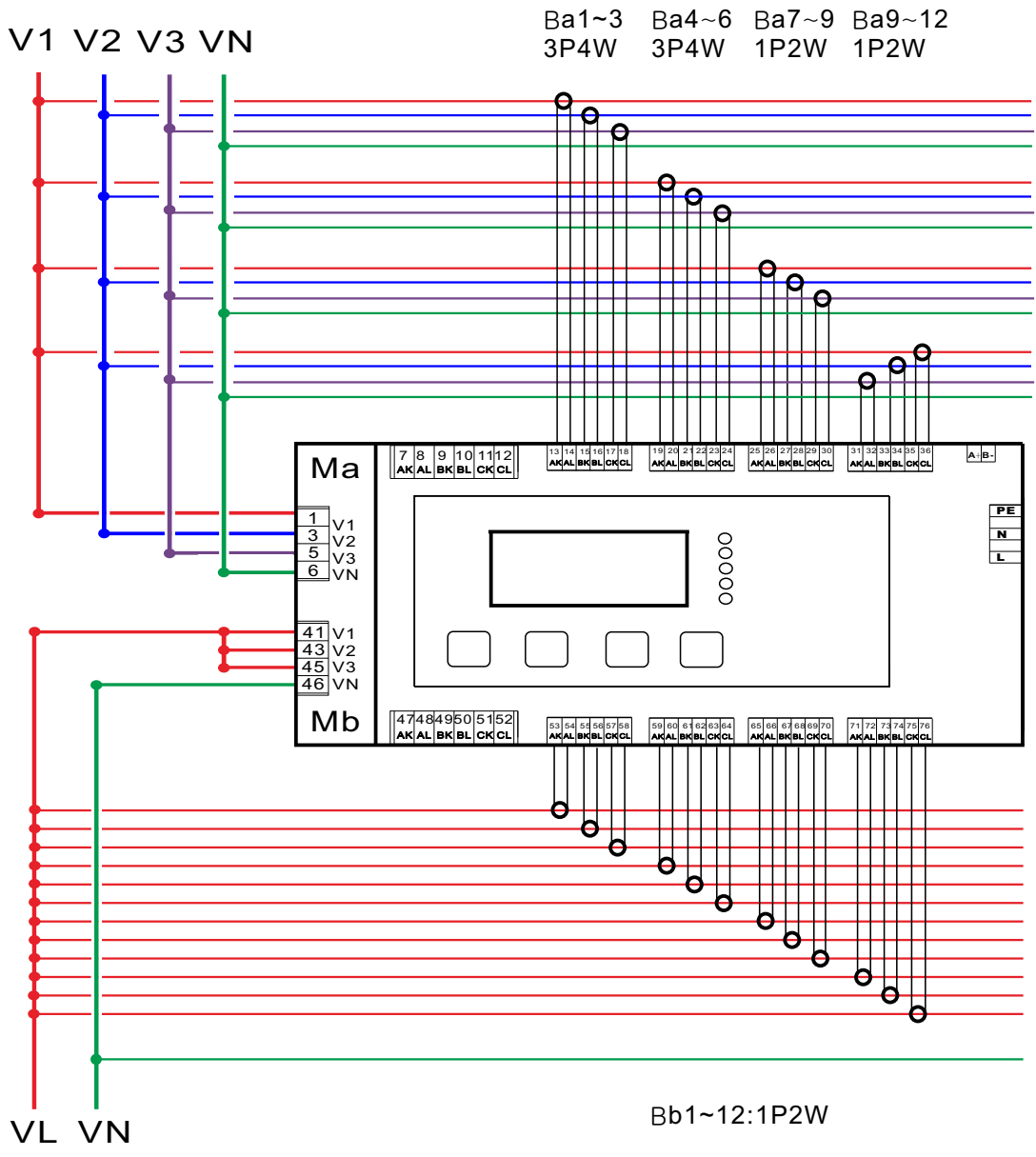


Example3:

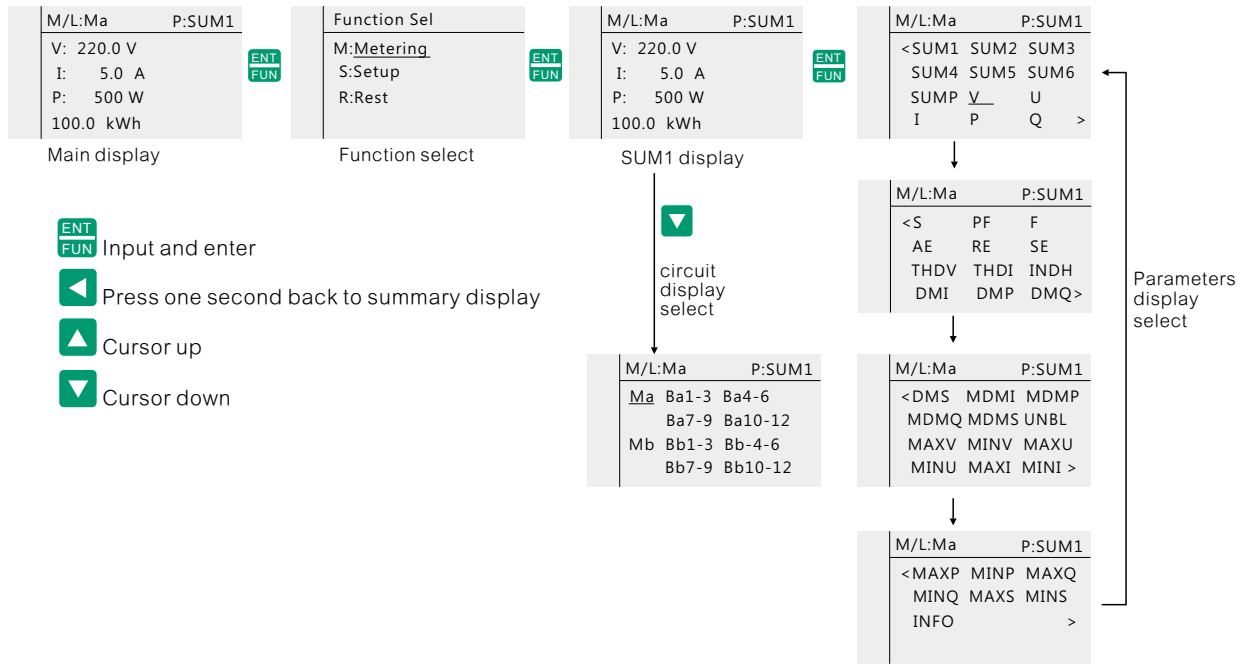
Main Circuit System Type: Ma=3P4W  
Mb=1P3W/1P2W



Example4:  
 Main Circuit System Type: Ma=3P4W  
 Mb=1P2W



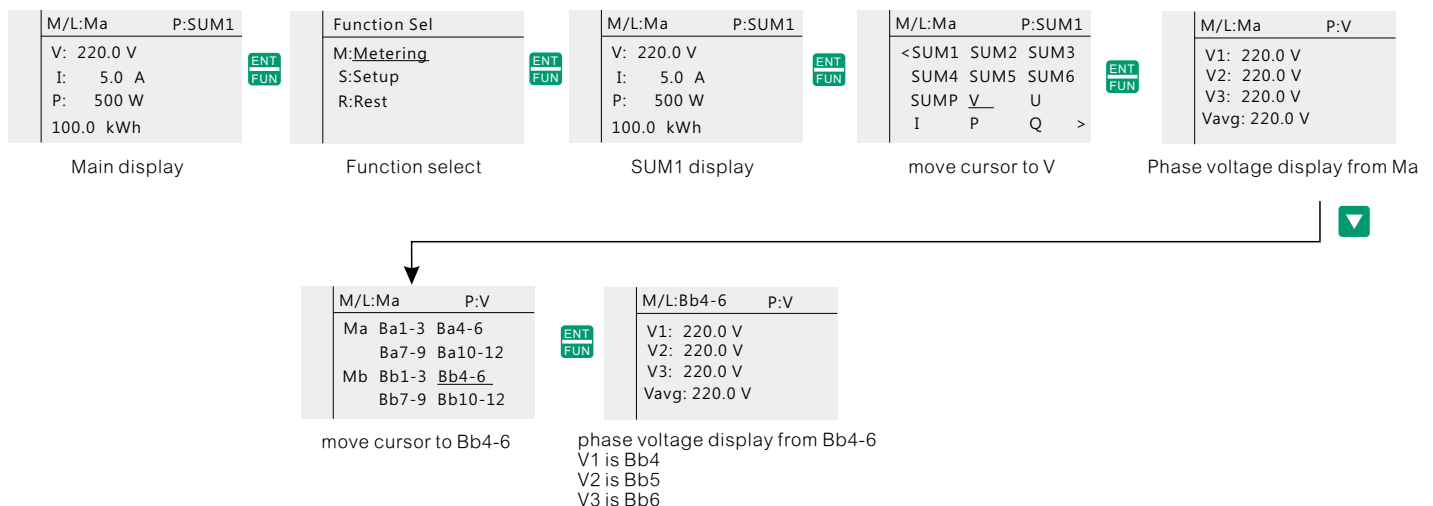
## Metering display



## Parameters

SUM1~SUM6 SUMP	Summary1~6, Customize summary
V,U,I,P,Q,S,PF,F	Phase voltage \ Line voltage \ Current \ Active power \ Reactive power \ Apparent power \ Power factor \ Frequency
AE,RE,SE	Active energy \ Reactive energy \ Apparent energy
THDV,THDI,INDH	THD / Voltage \ THD / Current \ Individual harmonic
DMI,DMP,DMQ,DMS	Current demand \ Active power demand \ Reactive power demand \ Apparent power demand
MDMI,MDMP,MDMQ,MDMS	Max current demand \ Max active power demand \ Max reactive power demand \ Max apparent power demand
UNBL	Unbalance (voltage/ Current)
MAXV,MAXU,MAXI,MAXP,MAXQ,MAXS	Max phase voltage \ Max line voltage \ Max current \ Max active power \ Max reactive power \ Max apparent power
MINV,MINU,MINI,MINP,MINQ,MINS	Min phase voltage \ Min line voltage \ Min current \ Min active power \ Min reactive power \ Min apparent power
Ma,Ba1-3,Ba4-6,Ba7-9,Ba10-12	Ma main circuit, Ma sub-circuit 1~3, Ma sub-circuit 4~6, Ma sub-circuit7~9, Ma sub-circuit10~12
Mb,Bb1-3,Bb4-6,Bb7-9,Bb10-12	Mb main circuit, Mb sub-circuit 1~3, Mb sub-circuit 4~6, Mb sub-circuit7~9, Mb sub-circuit10~12

## ● Example display Bb4-6 voltage:





Summary display SUM1~3 only show Ma parameters and display content is fixed .  
Can't switch to show others circuit.

M/L:Ma	P:SUM1
V: 220.0 V	
I: 5.0 A	
P: 500 W	
100.0 kWh	

SUM1: Ma voltage / Current / Active power / Active energy

M/L:Ma	P:SUM2
P: 100W	
Q: 100VAR	
S: 100VA	
100.0 kWh	

SUM2: Ma voltage /Active power/ Reactive power / Apparent power / Active energy

M/L:Ma	P:SUM3
V: 220.0 V	
I: 5.0 A	
P: 500 W	
PF:1.00	

SUM3: Ma voltage / Current / Active power / Power factor

Summary display SUM4~6 only show Ma parameters and display content is fixed .  
Can't switch to show others circuit.

M/L:Mb	P:SUM4
V: 220.0 V	
I: 5.0 A	
P: 500 W	
100.0 kWh	

SUM4: Mb voltage / Current / Active power / Active energy

M/L:Mb	P:SUM5
P: 100W	
Q: 100VAR	
S: 100VA	
100.0 kWh	

SUM5: Mb voltage /Active power/ Reactive power / Apparent power / Active energy

M/L:Mb	P:SUM6
V: 220.0 V	
I: 5.0 A	
P: 500 W	
100.0 kWh	

SUM6: Mb voltage / Current / Active power / Power factor

## ● Individual harmonic display (Ma,Mb only)

M/L:Ma	P:V
IND.Harmonic	
IND.H.V:V1 V2 V3	
IND.H.I:I1 I2 I3	

ENT  
FUN

M/L:Ma	P:INDH.V1
INDH.H2: 0.0%	
INDH.H3: 0.0%	
INDH.H4: 0.0%	
INDH.H5: 0.0%	

▼

M/L:Ma	P:INDH.V1
INDH.H6: 0.0%	
INDH.H7: 0.0%	
INDH.H8: 0.0%	
INDH.H9: 0.0%	

▼

M/L:Ma	P:INDH.V1
INDH.H10: 0.0%	
INDH.H11: 0.0%	
INDH.H12: 0.0%	
INDH.H13: 0.0%	

▼

M/L:Ma	P:INDH.V1
INDH.H14: 0.0%	
INDH.H15: 0.0%	
INDH.H16: 0.0%	
INDH.H17: 0.0%	

Move cursor to select voltage or current    2nd~5th Individual harmonics    6th~9th Individual harmonics    10th~13th Individual harmonics    14th~17th Individual harmonics

M/L:Ma	P:V
IND.Harmonic	
IND.H.V:V1 V2 V3	
IND.H.I:I1 I2 I3	

ENT  
FUN

M/L:Ma	P:INDH.I1
INDH.H2: 0.0%	
INDH.H3: 0.0%	
INDH.H4: 0.0%	
INDH.H5: 0.0%	

▼

M/L:Ma	P:INDH.I1
INDH.H6: 0.0%	
INDH.H7: 0.0%	
INDH.H8: 0.0%	
INDH.H9: 0.0%	

▼

M/L:Ma	P:INDH.I1
INDH.H10: 0.0%	
INDH.H11: 0.0%	
INDH.H12: 0.0%	
INDH.H13: 0.0%	

▼

M/L:Ma	P:INDH.I1
INDH.H14: 0.0%	
INDH.H15: 0.0%	
INDH.H16: 0.0%	
INDH.H17: 0.0%	

## ● Voltage and current unbalance display (Ma,Mb only)

M/L:Ma	P:UNBL
Unbalance U, I	
U: 0.0%	
I: 0.0%	

Ma unbalanc

M/L:Mb	P:UNBL
Unbalance U, I	
U: 0.0%	
I: 0.0%	

Mb unbalance

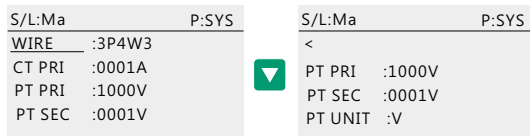
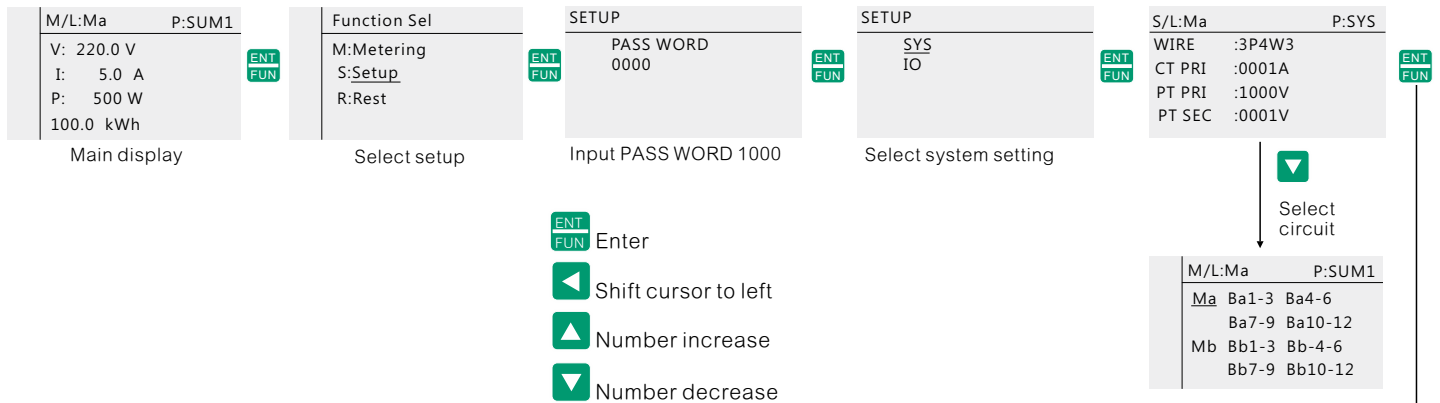
## ● Information

M/L:	P:INFO
DATE:2014-12-31	
TIME:21:21:21	
MODEL:AEM-DR21	
VER:1.0	

Show date \ time \ model number \ version

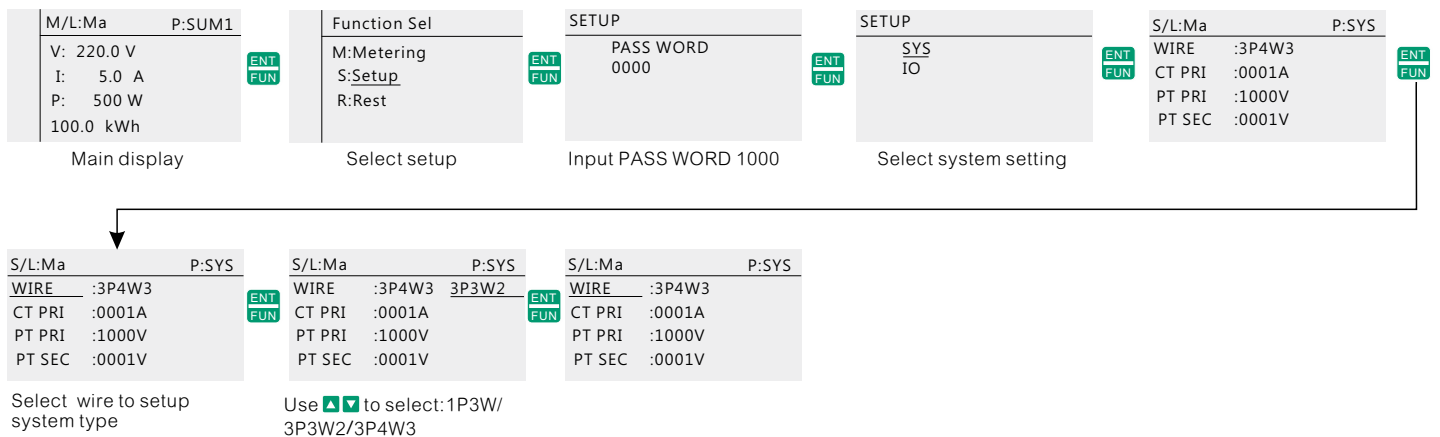
# Setting

In any page, Press one second back to summary display

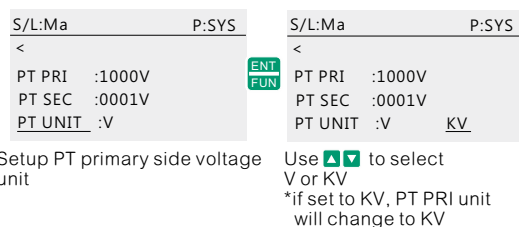
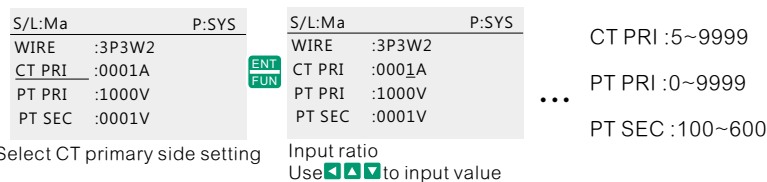


## ● Example Ma or Mb parameter setting

### System type setting



### CT and PT parameter setting



## ● Example sub-circuit system type setting

SETUP
SYS
IO

Select system setting

S/L:Ma	P:SYS
WIRE :3P4W3	
CT PRI :0001A	
PT PRI :1000V	
PT SEC :0001V	

M/L:Ma	P:SUM1
Ma <u>Ba1-3</u> Ba4-6	
Ba7-9 Ba10-12	
Mb Bb1-3 Bb4-6	
Bb7-9 Bb10-12	

Use **▲▼** select sub-circuit Ba1-3

S/L:Ba1-3	P:SYS
WIRE :1P2W	
Ba1I CT :1000A	
Ba2I CT :1000A	
Ba3I CT :1000A	

Ba1-3 parameters setting page

S/L:Ba1-3	P:SYS
WIRE :1P2W <u>1P3W</u>	
Ba1I CT :1000A	
Ba2I CT :1000A	
Ba3I CT :1000A	

Press **ENT** twice to setting system type use **▲▼** to select 1P2W/1P3W/3P3W2/3P4W3 Press **ENT** to confirm

## CT parameter setting

S/L:Ba1-3	P:SYS
WIRE :1P2W 1P3W	
<u>Ba1I</u> CT :1000A	
Ba2I CT :1000A	
Ba3I CT :1000A	

Select CT primary side setting

S/L:Ba1-3	P:SYS
WIRE :1P2W	
Ba1I CT :1000 <u>A</u>	
Ba2I CT :1000A	
Ba3I CT :1000A	

Input ratio Use **▲▼** to input value

## Each sub-circuit voltage phase assign

S/L:Ba1-3	P:SYS
Ba1.I :V1	
Ba2.I :V2	
Ba3.I :V3	

Select sub-circuit

S/L:Ba1-3	P:SYS
Ba1.I :V1 <u>V1</u>	
Ba2.I :V2	
Ba3.I :V3	

Use **▲▼** to select V1/V2/V3

## ● System I/O parameter setting

M/L:Ma	P:SUM1
V: 220.0 V	
I: 5.0 A	
P: 500 W	
100.0 kWh	

Main display

Function Sel
M: Metering
<u>S: Setup</u>
R: Rest

Select setup

SETUP
PASS WORD
0000

Input PASS WORD 1000

SETUP
SYS
<u>IO</u>

Select IO setting

S/P:IO	P:DI1
<u>DI1</u> DI2 COM1 COM2	
RO1 RO2 RO3 RO4	
DM SUMP CLK P.W.	
DISP	

Use **▲▼** to select parameter setup

## Digital input setting

S/P:IO	P:DI1
<u>DI1</u> DI2 COM1 COM2	
RO1 RO2 RO3 RO4	
DM SUMP CLK P.W.	
DISP	

DI1 setup

S/P:IO	P:DI1
MODE:DI	
<u>TRIG:Lo</u>	
DEBN:05	

DI1 mode setup

S/P:IO	P:DI1
MODE:DI	<u>DI</u>
TRIG:Lo	
DEBN:05	

Use **▲▼** to select DI/DMST/DMRST/MDMRST/ERST/MRST/R.Y.RST

DI: Digital input  
DMST: Demand start and stop  
DMRST: Demand reset  
MDMRST: Max demand reset  
ERST: Energy reset  
MRST: Max/Min reset  
RY.RST: Relay reset

S/P:IO	P:DI1
MODE:DI	
TRIG:Lo	
DEBN:05	

trigger level setting

S/P:IO	P:DI1
MODE:DI	
TRIG:Lo	<u>Lo</u>
DEBN:05	

Use **▲▼** to select Hi or Lo

S/P:IO	P:DI1
MODE:DI	
TRIG:Lo	
<u>DEBN:05</u>	

DI1 debouncing time setting

S/P:IO	P:DI1
MODE:DI	
TRIG:Lo	
DEBN:05	

Use **▲▼** to input value Press **ENT** to confirm

## Communication port setting

S/P:IO		P:DI1	
DI1	DI2	COM1	COM2
RO1	RO2	RO3	RO4
DM	SUMP	CLK	P.W.
DISP			

Select Com1 to setup

S/P:IO	P:COM1
Adresse:001	
Baud:9600	
Parity:N82	

Device address setting

S/P:IO	P:COM1
Adresse:001	
Baud:9600	
Parity:N82	

Use to input value  
Press to confirm

S/P:IO	P:COM1
Adresse:001	
Baud:9600	
Parity:N82	

Baud rate setting

S/P:IO	P:COM1
Adresse:001	
Baud:9600	1200
Parity:N82	

Use to select 1200/2400/4800/  
9600/19200/38400  
Press to confirm

S/P:IO	P:COM1
Adresse:001	
Baud:9600	
Parity:N82	

Parity check setting

S/P:IO	P:COM1
Adresse:001	
Baud:9600	
Parity:N82	N81

Use to select N81/N82/O81/E81  
Press to confirm

## Relay out put setting

S/P:IO		P:DI1	
DI1	DI2	COM1	COM2
RO1	RO2	RO3	RO4
DM	SUMP	CLK	P.W.
DISP			

Select Ro1 to setup

S/P:IO	P:RO1
FUN:DO	Alarm

Press to setup action type  
use to select DO or Alarm

S/P:IO	P:RO1
No :S1	
Md :OFF	
L :Ba1	
P :F	

Alarm channel setting

S/P:IO	P:RO1
No :S1	S1
Md :OFF	
L :Ba1	
P :F	

Use to select  
alarm channel S1~S12  
Press to confirm

S/P:IO	P:RO1
No :S1	
Md :OFF	
L :Ba1	
P :F	

Relay function mode setting

S/P:IO	P:RO1
No :S1	
Md :OFF	OFF
L :Ba1	
P :F	

Use to select Off / Hi / Lo  
Hold /Lo.Hold  
Press to confirm

S/P:IO	P:RO1
No :S1	
Md :OFF	
L :Ba1	
P :F	

Alarm related with circuit setting

S/P:IO	P:RO1
Ma	Ba1-3 Ba4-6
	Ba7-9 Ba10-12
Mb	Bb1-3 Bb-4-6
	Bb7-9 Bb10-12

Use to select circuit

Press to confirm

Attention:  
Related with circuit select  
has to follow actually system type  
connection

## Relay output setting

S/P:IO	P:RO1
No :S1	
Md :OFF	
L :Ba1	
P :F	

Relayed with parameters setting

S/P:IO	P:RO1
No :S1	S1
Md :OFF	
L :Ba1	
P :F	

Use to select F / V / U / I / P / Q / S / PF / I.DM / P.DM / Q.DM / S.DM  
Press to confirm

S/P:IO	P:RO1
L :Ba1	
P :F	
SP :0000010.00	
RD :000.0	

Alarm set point

S/P:IO	P:RO1
L :Ba1	
P :F	
SP :0000010.00	
RD :000.0	

Use to input value depend on parameter range  
Press to confirm

S/P:IO	P:RO1
L :Ba1	
P :F	
SP :0000010.00	
RD :000.0	

Relay output energized delay time setting

S/P:IO	P:RO1
L :Ba1	
P :F	
SP :0000010.00	
RD :000.0	

Use to input value  
Press to confirm

## Demand setting

S/P:IO	P:RO1
DI1 DI2 COM1 COM2	
RO1 RO2 RO3 RO4	
DM SUMP CLK P.W.	
DISP	

Demand parameter setting

S/P:IO	P:DM
Type:Fix	
Time:15	

Demand calculation method setting

S/P:IO	P:DM
Type:Fix	Slide
Time:15	

use to select fix or slide  
Press to confirm

S/P:IO	P:DM
Type:Fix	
Time:15	

Demand intervaltime calculation

S/P:IO	P:DM
Type:Fix	
Time:15	

Use to input value  
Demand interval time calculation setting  
Press to confirm

## Customize summary display setting

S/P:IO	P:DM
DI1 DI2 COM1 COM2	
RO1 RO2 RO3 RO4	
DM SUMP CLK P.W.	
DISP	

Move cursor to SUMP

S/P:IO	P:SUMP
L :Bb1	
P1:V	
P2:I	
P3:P	

Circuit select

S/P:IO	P:SUMP
Ma Ba1-3 Ba4-6	
Ba7-9 Ba10-12	
Mb Bb1-3 Bb-4-6	
Bb7-9 Bb10-12	

Use to select circuit  
Press to confirm

S/P:IO	P:SUMP
L :Bb1	
P1:V	
P2:I	
P3:P	

Select Postion to setup parameter for display

S/P:IO	P:SUMP
L :Bb1	
P1:V	F
P2:I	
P3:P	

Use to select F / V / U / I / P / Q / S / PF / AE  
Press to confirm

## Date and time

S/P:IO	P:SUMP			
DI1	DI2	COM1	COM2	ENT FUN
RO1	RO2	RO3	RO4	
DM	SUMP	CLK	P.W.	
DISP				

Move cursor to CLK

S/P:IO	P:CLK
BackLigh:00	ENT FUN
Date:2015-02-10	
Time:23:59:59	

LCM backLight delay time setting

S/P:IO	P:CLK
BackLigh:0 <u>1</u>	ENT FUN
Date:2015-02-10	
Time:23:59:59	

Use to input value  
Press to confirm

S/P:IO	P:CLK
BackLigh:00	ENT FUN
Date:2015-02-10	
Time:23:59:59	

Date setting

S/P:IO	P:CLK
BackLigh:0 <u>1</u>	ENT FUN
Date:2015-02-1 <u>0</u>	
Time:23:59:59	

Use to input value  
Press to confirm

## Change password

S/P:IO	P:CLK			
DI1	DI2	COM1	COM2	ENT FUN
RO1	RO2	RO3	RO4	
DM	SUMP	CLK	P.W.	
DISP				

Move cursor to P.W.

S/P:IO	P:P.W.
Modify PassWord	ENT FUN
1000	

Press into new password input  
Use input new password  
Press to confirm

## Main circuit display setting

S/P:IO	P:P.W.			
DI1	DI2	COM1	COM2	ENT FUN
RO1	RO2	RO3	RO4	
DM	SUMP	CLK	P.W.	
DISP				

Move cursor to SUMP

S/P:IO	P:DISP
DISP:SUM1	ENT FUN

Select summary display

S/P:IO	P:DISP
DISP:SUM1	ENT FUN
SUM1	

Use to select :  
SUM1~SUM4 and SUMP  
Press to confirm

## Reset and Initialization

M/L:Ma	P:SUM1
V: 220.0 V	ENT FUN
I: 5.0 A	
P: 500 W	
100.0 kWh	

Main display

Function Sel	
M: Metering	ENT FUN
S: Setup	
R: Rest	

Select reset

RESET	
PASS WORD	ENT FUN
0000	

Input PASS WORD 1000

R/L:Ma	P:OFF		
OFF	AL.P	AL.E	ENT FUN
AL.DM	AL.MDM	AL.M	

Select circuit

R/L:Ma	P:OFF	
Ma	Ba1-3	Ba4-6
	Ba7-9	Ba10-12
Mb	Bb1-3	Bb4-6
	Bb7-9	Bb10-12 >

R/L:Ma	P:OFF		
OFF	AL.P	AL.E	ENT FUN
AL.DM	AL.MDM	AL.M	

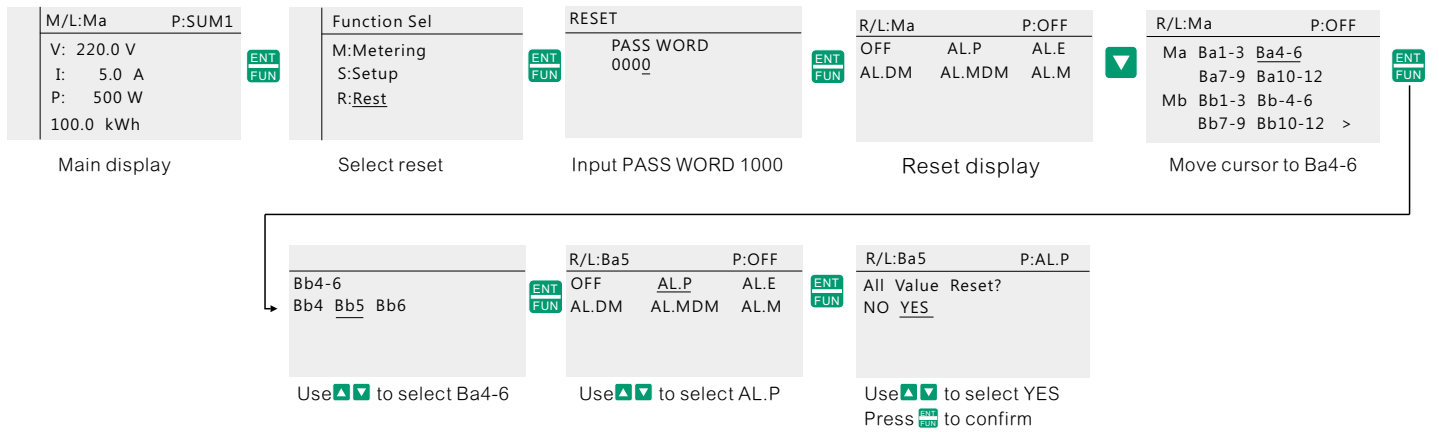
Select parameter for reset

R/L:Ma	P:OFF	
<	ALL	INIT

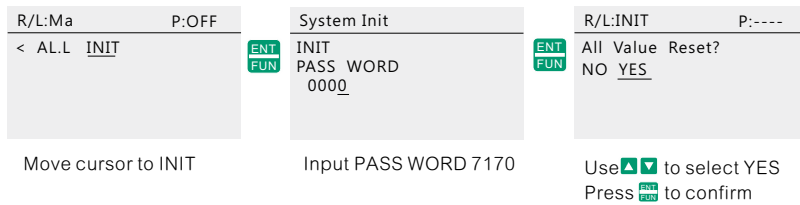
### Parameter description

AL.P	All power values(P/Q/S)
AL.E	All energy values(AE)
AL.DM	All demand values
AL.MDM	All maximum demand values
AL.M	All maximum and minimum values

## Example reset all power values of Ba5



## Initialization of meter



## RS485 Communication table

System setting (Code : 03h , 06h , 10h):

※Reserved : 0

Parameter	Address	Range	Description	Default	Property
Ma WIRE	0000h	1~3	Ma metering system type : 1:1P3W 2: 3P3W2CT 3: 3P4W3CT	3	R/W
Ma PT UNIT	0001h	0~1	Ma PT primary side voltage unit : 0:V 1:KV	0	R/W
Reserved	0002h		Reserved	0	R
Ma PT PRI	0003h	0~9999	Ma PT primary side voltage	600	R/W
Ma PT SEC	0004h	50~600V	Ma PT secondary side voltage	600	R/W
Ma CT PRI	0005h	5~9999A	Ma CT primary side current	50	R/W
Ba1-3 WIRE	0006h	0~3	Ba1-3 metering system type : 0:1P2W 1: 1P3W 2: 3P3W2CT 3:3P4W3CT	0	R/W
Reserved	0007h		Reserved	0	R
Reserved	0008h		Reserved	0	R
Reserved	0009h		Reserved	0	R
Ba1 CT PRI	000Ah	5~9999A	Ba1 CT primary side current	50	R/W
Ba2 CT PRI	000Bh	5~9999A	Ba2 CT primary side current	50	R/W
Ba3 CT PRI	000Ch	5~9999A	Ba3 CT primary side current	50	R/W
IBa1	000Dh	0~2	Ba1 voltage phase assign : 0:V1 1:V2 2:V3	0	R/W
IBa2	000Eh	0~2	Ba2 voltage phase assign : 0:V1 1:V2 2:V3	1	R/W
IBa3	000Fh	0~2	Ba3 voltage phase assign : 0:V1 1:V2 2:V3	2	R/W
Ba4-6 WIRE	0010h	0~3	Ba4-6 metering system type : 0:1P2W 1: 1P3W 2: 3P3W2CT 3:3P4W3CT	0	R/W
Ba4 CT PRI	0011h	5~9999A	Ba4 CT primary side current	50	R/W
Ba5 CT PRI	0012h	5~9999A	Ba5 CT primary side current	50	R/W
Ba6 CT PRI	0013h	5~9999A	Ba6 CT primary side current	50	R/W
IBa4	0014h	0~2	Ba4 voltage phase assign : 0:V1 1:V2 2:V3	0	R/W
IBa5	0015h	0~2	Ba5 voltage phase assign : 0:V1 1:V2 2:V3	1	R/W
Iba6	0016h	0~2	Ba6 voltage phase assign : 0:V1 1:V2 2:V3	2	R/W
Ba7-9 WIRE	0017h	0~3	Ba7-9 metering system type : 0:1P2W 1: 1P3W 2: 3P3W2CT 3:3P4W3CT	0	R/W
Ba7 CT PRI	0018h	5~9999A	Ba7 CT primary side current	50	R/W
Ba8 CT PRI	0019h	5~9999A	Ba8 CT primary side current	50	R/W
Ba9 CT PRI	001Ah	5~9999A	Ba9 CT primary side current	50	R/W
Iba7	001Bh	0~2	Ba7 voltage phase assign : 0:V1 1:V2 2:V3	0	R/W
Iba8	001Ch	0~2	Ba8 voltage phase assign : 0:V1 1:V2 2:V3	1	R/W
Iba9	001Dh	0~2	Ba9 voltage phase assign : 0:V1 1:V2 2:V3	2	R/W



Parameter	Address	Range	Description	Default	Property
Ba10-12 WIRE	001Eh	0~3	Ba10-12 metering system type : 0:1P2W 1: 1P3W 2: 3P3W2CT 3:3P4W3CT	0	R/W
Ba10 CT PRI	001Fh	5~9999A	Ba10 CT primary side current	50	R/W
Ba11 CT PRI	0020h	5~9999A	Ba11 CT primary side current	50	R/W
Ba12 CT PRI	0021h	5~9999A	Ba12 CT primary side current	50	R/W
IBa10	0022h	0~2	Ba 10 voltage phase assign : 0:V1 1:V2 2:V3	0	R/W
IBa11	0023h	0~2	Ba 11 voltage phase assign : 0:V1 1:V2 2:V3	1	R/W
IBa12	0024h	0~2	Ba 12 voltage phase assign : 0:V1 1:V2 2:V3	2	R/W
Mb WIRE	0025h	1~3	Ma metering system type : 1:1P2W 1: 1P3W 2: 3P3W2CT	3	R/W
Mb PT UNIT	0026h	0~1	Mb PT primary side voltage unit : 0:V 1:KV	0	R/W
Reserved	0027h		Reserved	0	R
Mb PT PRI	0028h	100~9999	Mb PT primary side voltage	600	R/W
Mb PT SEC	0029h	50~600V	Mb PT secondary side voltage	600	R/W
Mb CT PRI	002Ah	5~9999A	Mb CT primary side current	100	R/W
Bb1-3 WIRE	002Bh	0~3	Bb1-3 metering system type : 0:1P2W 1: 1P3W 2: 3P3W2CT 3:3P4W3CT	0	R/W
Bb1 CT PRI	002Fh	5~9999A	Bb1 CT primary side current	50	R/W
Bb2 CT PRI	0030h	5~9999A	Bb2 CT primary side current	50	R/W
Bb3 CT PRI	0031h	5~9999A	Bb3 CT primary side current	50	R/W
IBb1	0032h	0~2	Bb1 voltage phase assign : 0:V1 1:V2 2:V3	0	R/W
IBb2	0033h	0~2	Bb2 voltage phase assign : 0:V1 1:V2 2:V3	1	R/W
IBb3	0034h	0~2	Bb3 voltage phase assign : 0:V1 1:V2 2:V3	2	R/W
Bb4-6 WIRE	0035h	0~3	Bb4-6 metering system type : 0:1P2W 1: 1P3W 2: 3P3W2CT 3:3P4W3CT	0	R/W
Bb4 CT PRI	0036h	5~9999A	Bb4 CT primary side current	50	R/W
Bb5 CT PRI	0037h	5~9999A	Bb5 CT primary side current	50	R/W
Bb6 CT PRI	0038h	5~9999A	Bb6 CT primary side current	50	R/W
IBb4	0039h	0~2	Bb4 voltage phase assign : 0:V1 1:V2 2:V3	0	R/W
IBb5	003Ah	0~2	Bb5 voltage phase assign : 0:V1 1:V2 2:V3	1	R/W
IBb6	003Bh	0~2	Bb6 voltage phase assign : 0:V1 1:V2 2:V3	2	R/W
Bb7-9 WIRE	003Ch	0~3	Bb7-9 metering system type : 0:1P2W 1: 1P3W 2: 3P3W2CT 3:3P4W3CT	0	R/W
Bb7 CT PRI	003Dh	5~9999A	Bb7 CT primary side current	50	R/W
Bb8 CT PRI	003Eh	5~9999A	Bb8 CT primary side current	50	R/W
Bb9 CT PRI	003Fh	5~9999A	Bb9 CT primary side current	50	R/W
IBb7	0040h	0~2	Bb7 voltage phase assign : 0:V1 1:V2 2:V3	0	R/W
IBb8	0041h	0~2	Bb8 voltage phase assign : 0:V1 1:V2 2:V3	1	R/W
IBb9	0042h	0~2	Bb9 voltage phase assign : 0:V1 1:V2 2:V3	2	R/W

## System setting (Code : 03h , 06h , 10h):

※Reserved : 0

Parameter	Address	Range	Description	Default	Property
Bb10-12 WIRE	0043h	0~3	Bb10-12 metering system type 0:1P2W 1:1P3W 2:3P3W2CT 3:3P4W3CT	0	R/W
Bb10 CT PRI	0044h	5~9999A	Bb10 CT primary side current	50	R/W
Bb11 CT PRI	0045h	5~9999A	Bb11 CT primary side current	50	R/W
Bb12 CT PRI	0046h	5~9999A	Bb12 CT primary side current	50	R/W
IBb10	0047h	0~2	Bb10 voltage phase assign : 0:V1 1:V2 2:V3	0	R/W
IBb11	0048h	0~2	Bb11 voltage phase assign : 0:V1 1:V2 2:V3	1	R/W
IBb12	0049h	0~2	Bb12 voltage phase assign : 0:V1 1:V2 2:V3	2	R/W

## Relay function (Function code : 03h , 06h , 10h)

※Reserved : 0

Parameter	Address	Range	Description	Default	Property
RO1 Fun.	0062h	0~1	Relay 1 function: 0:Alarm 1:DO	0	R/W
RO1 RD	0063h	0000~5999 (×0.1second)	Relay 1 active delay time setting	0	R/W
RO1_S1 Mode	0064h	0~4	S1 function mode of Relay 1: 0:OFF 1:Lo 2:Hi 3:Lo.Hold 4:Hi.Hold	2	R/W
RO1 S1 Loop	0065h	0~33	S1 Loop select of Relay 1 : 0:Ma 1:Ba1-3 2:Ba4-6 3:Ba7-9 4:Ba10-12 5:Mb 6:Bb1-3 7:Bb4-6 8:Bb7-9 9:Bb10-12 10:Ba1 11:Ba2 12:Ba3 13:Ba4 14:Ba5 15:Ba6 16:Ba7 17:Ba8 18:Ba9 19:Ba10 20:Ba11 21:Ba12 22:Bb1 23:Bb2 24:Bb3 25:Bb4 26:Bb5 27:Bb6 28:Bb7 29:Bb8 30:Bb9 31:Bb10 32:Bb11 33:Bb12	10	R/W
RO1_S1 Parameter	0066h	0~11	S1 parameter select of Relay 1 : 0:F 1:V 2:U 3:I 4:P 5:Q 6:S 7:PF 8:I.DM 9:P.DM 10:Q.DM 11:S.DM	0	R/W
RO1 S1 SP	0067h	Depend on parameter range	S1 active set point of Relay 1 (High Word)	1000	R/W
	0068h		S1 active set point of Relay 1 (Low Word)		

Parameter	Address	Range	Description	Default	Property
RO1_S2 Mode	0069h	0~4	S2 function mode of Relay 1 : 0:OFF 1:Lo 2:Hi 3:Lo.Hold 4:Hi.Hold	2	R/W
RO1 S2 Loop	006Ah	0~33	S2 Loop select of Relay 1 : 0:Ma 1:Ba1-3 2:Ba4-6 3:Ba7-9 4:Ba10-12 5:Mb 6:Bb1-3 7:Bb4-6 8:Bb7-9 9:Bb10-12 10:Ba1 11:Ba2 12:Ba3 13:Ba4 14:Ba5 15:Ba6 16:Ba7 17:Ba8 18:Ba9 19:Ba10 20:Ba11 21:Ba12 22:Bb1 23:Bb2 24:Bb3 25:Bb4 26:Bb5 27:Bb6 28:Bb7 29:Bb8 30:Bb9 31:Bb10 32:Bb11 33:Bb12	10	R/W
RO1_S2 Parameter	006Bh	0~11	S2 parameter select of Relay 1 : 0:F 1:V 2:U 3:I 4:P 5:Q 6:S 7:PF 8:I.DM 9:P.DM 10:Q.DM 11:S.DM	0	R/W
RO1 S2 SP	006Ch	Depend on parameter range	S2 active set point of Relay 1(High Word)	1000	R/W
	006Dh		S2 active set point of Relay 1(Low Word)		
RO1_S3 Mode	006Eh	0~4	S3 function mode of Relay 1 : 0:OFF 1:Lo 2:Hi 3:Lo.Hold 4:Hi.Hold	2	R/W
RO1 S3 Loop	006Fh	0~33	S3 Loop select of Relay 1 : 0:Ma 1:Ba1-3 2:Ba4-6 3:Ba7-9 4:Ba10-12 5:Mb 6:Bb1-3 7:Bb4-6 8:Bb7-9 9:Bb10-12 10:Ba1 11:Ba2 12:Ba3 13:Ba4 14:Ba5 15:Ba6 16:Ba7 17:Ba8 18:Ba9 19:Ba10 20:Ba11 21:Ba12 22:Bb1 23:Bb2 24:Bb3 25:Bb4 26:Bb5 27:Bb6 28:Bb7 29:Bb8 30:Bb9 31:Bb10 32:Bb11 33:Bb12	10	R/W
RO1_S3 Parameter	0070h	0~11	S3 parameter select of Relay 1 : 0:F 1:V 2:U 3:I 4:P 5:Q 6:S 7:PF 8:I.DM 9:P.DM 10:Q.DM 11:S.DM	0	R/W
RO1 S3 SP	0071h	Depend on parameter range	S3 active set point of Relay 1(High Word)	1000	R/W
	0072h		S3 active set point of Relay 1(Low Word)		
RO1_S4 Mode	0073h	0~4	S4 function mode of Relay 1 : 0:OFF 1:Lo 2:Hi 3:Lo.Hold 4:Hi.Hold	2	R/W
RO1 S4 Loop	0074h	0~33	S4 Loop select of Relay 1 : 0:Ma 1:Ba1-3 2:Ba4-6 3:Ba7-9 4:Ba10-12 5:Mb 6:Bb1-3 7:Bb4-6 8:Bb7-9 9:Bb10-12 10:Ba1 11:Ba2 12:Ba3 13:Ba4 14:Ba5 15:Ba6 16:Ba7 17:Ba8 18:Ba9 19:Ba10 20:Ba11 21:Ba12 22:Bb1 23:Bb2 24:Bb3 25:Bb4 26:Bb5 27:Bb6 28:Bb7 29:Bb8 30:Bb9 31:Bb10 32:Bb11 33:Bb12	10	R/W
RO1_S4 Parameter	0075h	0~11	S4 parameter select of Relay 1 : 0:F 1:V 2:U 3:I 4:P 5:Q 6:S 7:PF 8:I.DM 9:P.DM 10:Q.DM 11:S.DM	0	R/W
RO1 S4 SP	0076h	Depend on parameter range	S4 active set point of Relay 1(High Word)	1000	R/W
	0077h		S4 active set point of Relay 1(Low Word)		

Parameter	Address	Range	Description	Default	Property
RO1_S5 Mode	0078h	0~4	S5 function mode of Relay 1 : 0:OFF 1:Lo 2:Hi 3:Lo.Hold 4:Hi.Hold	2	R/W
RO1 S5 Loop	0079h	0~33	S5 Loop select of Relay 1: 0:Ma 1:Ba1-3 2:Ba4-6 3:Ba7-9 4:Ba10-12 5:Mb 6:Bb1-3 7:Bb4-6 8:Bb7-9 9:Bb10-12 10:Ba1 11:Ba2 12:Ba3 13:Ba4 14:Ba5 15:Ba6 16:Ba7 17:Ba8 18:Ba9 19:Ba10 20:Ba11 21:Ba12 22:Bb1 23:Bb2 24:Bb3 25:Bb4 26:Bb5 27:Bb6 28:Bb7 29:Bb8 30:Bb9 31:Bb10 32:Bb11 33:Bb12	10	R/W
RO1_S5 Parameter	007Ah	0~11	S5 parameter select of Relay 1 : 0:F 1:V 2:U 3:I 4:P 5:Q 6:S 7:PF 8:I.DM 9:P.DM 10:Q.DM 11:S.DM	0	R/W
RO1 S5 SP	007Bh	Depend on parameter range	S5 active set point of Relay 1(High Word)	1000	R/W
	007Ch		S5 active set point of Relay 1(Low Word)		
RO1_S6 Mode	007Dh	0~4	S6 function mode of Relay 1 : 0:OFF 1:Lo 2:Hi 3:Lo.Hold 4:Hi.Hold	2	R/W
RO1 S6 Loop	007Eh	0~33	S6 Loop select of Relay 1: 0:Ma 1:Ba1-3 2:Ba4-6 3:Ba7-9 4:Ba10-12 5:Mb 6:Bb1-3 7:Bb4-6 8:Bb7-9 9:Bb10-12 10:Ba1 11:Ba2 12:Ba3 13:Ba4 14:Ba5 15:Ba6 16:Ba7 17:Ba8 18:Ba9 19:Ba10 20:Ba11 21:Ba12 22:Bb1 23:Bb2 24:Bb3 25:Bb4 26:Bb5 27:Bb6 28:Bb7 29:Bb8 30:Bb9 31:Bb10 32:Bb11 33:Bb12	10	R/W
RO1_S6 Parameter	007Fh	0~11	S6 parameter select of Relay 1 : 0:F 1:V 2:U 3:I 4:P 5:Q 6:S 7:PF 8:I.DM 9:P.DM 10:Q.DM 11:S.DM	0	R/W
RO1 S6 SP	0080h	Depend on parameter range	S6 active set point of Relay 1(High Word)	1000	R/W
	0081h		S6 active set point of Relay 1(Low Word)		
RO1_S7 Mode	0082h	0~4	S7 function mode of Relay 1 : 0:OFF 1:Lo 2:Hi 3:Lo.Hold 4:Hi.Hold	2	R/W
RO1 S7 Loop	0083h	0~33	S7 Loop select of Relay 1: 0:Ma 1:Ba1-3 2:Ba4-6 3:Ba7-9 4:Ba10-12 5:Mb 6:Bb1-3 7:Bb4-6 8:Bb7-9 9:Bb10-12 10:Ba1 11:Ba2 12:Ba3 13:Ba4 14:Ba5 15:Ba6 16:Ba7 17:Ba8 18:Ba9 19:Ba10 20:Ba11 21:Ba12 22:Bb1 23:Bb2 24:Bb3 25:Bb4 26:Bb5 27:Bb6 28:Bb7 29:Bb8 30:Bb9 31:Bb10 32:Bb11 33:Bb12	10	R/W
RO1_S7 Parameter	0084h	0~11	S7 parameter select of Relay 1 : 0:F 1:V 2:U 3:I 4:P 5:Q 6:S 7:PF 8:I.DM 9:P.DM 10:Q.DM 11:S.DM	0	R/W
RO1 S7 SP	0085h	Depend on parameter range	S7 active set point of Relay 1(High Word)	1000	R/W
	0086h		S7 active set point of Relay 1(Low Word)		

Parameter	Address	Range	Description	Default	Property
RO1_S8 Mode	0087h	0~4	S8 function mode of Relay 1: 0:OFF 1:Lo 2:Hi 3:Lo.Hold 4:Hi.Hold	2	R/W
RO1 S8 Loop	0088h	0~33	S8 Loop select of Relay 1: 0:Ma 1:Ba1-3 2:Ba4-6 3:Ba7-9 4:Ba10-12 5:Mb 6:Bb1-3 7:Bb4-6 8:Bb7-9 9:Bb10-12 10:Ba1 11:Ba2 12:Ba3 13:Ba4 14:Ba5 15:Ba6 16:Ba7 17:Ba8 18:Ba9 19:Ba10 20:Ba11 21:Ba12 22:Bb1 23:Bb2 24:Bb3 25:Bb4 26:Bb5 27:Bb6 28:Bb7 29:Bb8 30:Bb9 31:Bb10 32:Bb11 33:Bb12	10	R/W
RO1_S8 Parameter	0089h	0~11	S8 parameter select of Relay 1 : 0:F 1:V 2:U 3:I 4:P 5:Q 6:S 7:PF 8:I.DM 9:P.DM 10:Q.DM 11:S.DM	0	R/W
RO1 S8 SP	008Ah	Depend on parameter range	S8 active set point of Relay 1(High Word)	1000	R/W
	008Bh		S8 active set point of Relay 1(Low Word)		
RO1_S9 Mode	008Ch	0~4	S9 function mode of Relay 1: 0:OFF 1:Lo 2:Hi 3:Lo.Hold 4:Hi.Hold	2	R/W
Ro1 S9 Loop	008Dh	0~33	S9 Loop select of Relay 1: 0:Ma 1:Ba1-3 2:Ba4-6 3:Ba7-9 4:Ba10-12 5:Mb 6:Bb1-3 7:Bb4-6 8:Bb7-9 9:Bb10-12 10:Ba1 11:Ba2 12:Ba3 13:Ba4 14:Ba5 15:Ba6 16:Ba7 17:Ba8 18:Ba9 19:Ba10 20:Ba11 21:Ba12 22:Bb1 23:Bb2 24:Bb3 25:Bb4 26:Bb5 27:Bb6 28:Bb7 29:Bb8 30:Bb9 31:Bb10 32:Bb11 33:Bb12	10	R/W
RO1_S9 Parameter	008Eh	0~11	S9 parameter select of Relay 1 : 0:F 1:V 2:U 3:I 4:P 5:Q 6:S 7:PF 8:I.DM 9:P.DM 10:Q.DM 11:S.DM	0	R/W
RO1 S9 SP	008Fh	Depend on parameter range	S9 active set point of Relay 1(High Word)	1000	R/W
	0090h		S9 active set point of Relay 1(Low Word)		
RO1_S10 Mode	0091h	0~4	S10 function mode of Relay 1: 0:OFF 1:Lo 2:Hi 3:Lo.Hold 4:Hi.Hold	2	R/W
RO1 S10 Loop	0092h	0~33	S10 Loop select of Relay 1: 0:Ma 1:Ba1-3 2:Ba4-6 3:Ba7-9 4:Ba10-12 5:Mb 6:Bb1-3 7:Bb4-6 8:Bb7-9 9:Bb10-12 10:Ba1 11:Ba2 12:Ba3 13:Ba4 14:Ba5 15:Ba6 16:Ba7 17:Ba8 18:Ba9 19:Ba10 20:Ba11 21:Ba12 22:Bb1 23:Bb2 24:Bb3 25:Bb4 26:Bb5 27:Bb6 28:Bb7 29:Bb8 30:Bb9 31:Bb10 32:Bb11 33:Bb12	10	R/W
RO1_S10 Parameter	0093h	0~11	S10 parameter select of Relay 1 : 0:F 1:V 2:U 3:I 4:P 5:Q 6:S 7:PF 8:I.DM 9:P.DM 10:Q.DM 11:S.DM	0	R/W
RO1 S10 SP	0094h	Depend on parameter range	S10 active set point of Relay 1(High Word)	1000	R/W
	0095h		S10 active set point of Relay 1(Low Word)		

Parameter	Address	Range	Description	Default	Property
RO1_S11 Mode	0096h	0~4	S11 function mode of Relay 1: 0:OFF 1:Lo 2:Hi 3:Lo.Hold 4:Hi.Hold	2	R/W
RO1 S11 Loop	0097h	0~33	S11 Loop select of Relay 1: 0:Ma 1:Ba1-3 2:Ba4-6 3:Ba7-9 4:Ba10-12 5:Mb 6:Bb1-3 7:Bb4-6 8:Bb7-9 9:Bb10-12 10:Ba1 11:Ba2 12:Ba3 13:Ba4 14:Ba5 15:Ba6 16:Ba7 17:Ba8 18:Ba9 19:Ba10 20:Ba11 21:Ba12 22:Bb1 23:Bb2 24:Bb3 25:Bb4 26:Bb5 27:Bb6 28:Bb7 29:Bb8 30:Bb9 31:Bb10 32:Bb11 33:Bb12	10	R/W
RO1_S11 Parameter	0098h	0~11	S11 parameter select of Relay 1 : 0:F 1:V 2:U 3:I 4:P 5:Q 6:S 7:PF 8:I.DM 9:P.DM 10:Q.DM 11:S.DM	0	R/W
RO1 S11 SP	0099h	Depend on parameter range	S11 active set point of Relay 1(High Word)	1000	R/W
	009Ah		S11 active set point of Relay 1(Low Word)		
RO1_S12 Mode	009Bh	0~4	S12 function mode of Relay 1: 0:OFF 1:Lo 2:Hi 3:Lo.Hold 4:Hi.Hold	2	R/W
RO1 S12 Loop	009Ch	0~33	S12 Loop select of Relay 1: 0:Ma 1:Ba1-3 2:Ba4-6 3:Ba7-9 4:Ba10-12 5:Mb 6:Bb1-3 7:Bb4-6 8:Bb7-9 9:Bb10-12 10:Ba1 11:Ba2 12:Ba3 13:Ba4 14:Ba5 15:Ba6 16:Ba7 17:Ba8 18:Ba9 19:Ba10 20:Ba11 21:Ba12 22:Bb1 23:Bb2 24:Bb3 25:Bb4 26:Bb5 27:Bb6 28:Bb7 29:Bb8 30:Bb9 31:Bb10 32:Bb11 33:Bb12	10	R/W
RO1_S12 Parameter	009Dh	0~11	S12 parameter select of Relay 1 : 0:F 1:V 2:U 3:I 4:P 5:Q 6:S 7:PF 8:I.DM 9:P.DM 10:Q.DM 11:S.DM	0	R/W
RO1 S12 SP	009Eh	Depend on parameter range	S11 active set point of Relay 1(High Word)	1000	R/W
	009Fh		S11 active set point of Relay 1(Low Word)		

Parameter	Address	Range	Description	Default	Property
RO2 Fun.	00A0h	0~1	Relay 2 function: 0:Alarm 1:DO	0	R/W
RO2 RD	00A1h	0000~5999 (×0.1second)	Relay 2 active delay time setting	0	R/W
RO2_S1 Mode	00A2h	0~4	S1 function mode of Relay 2: 0:OFF 1:Lo 2:Hi 3:Lo.Hold 4:Hi.Hold	2	R/W
RO2 S1 Loop	00A3h	0~33	S1 Loop select of Relay 2 : 0:Ma 1:Ba1-3 2:Ba4-6 3:Ba7-9 4:Ba10-12 5:Mb 6:Bb1-3 7:Bb4-6 8:Bb7-9 9:Bb10-12 10:Ba1 11:Ba2 12:Ba3 13:Ba4 14:Ba5 15:Ba6 16:Ba7 17:Ba8 18:Ba9 19:Ba10 20:Ba11 21:Ba12 22:Bb1 23:Bb2 24:Bb3 25:Bb4 26:Bb5 27:Bb6 28:Bb7 29:Bb8 30:Bb9 31:Bb10 32:Bb11 33:Bb12	10	R/W
RO2_S1 Parameter	00A4h	0~11	S1 parameter select of Relay 2 : 0:F 1:V 2:U 3:I 4:P 5:Q 6:S 7:PF 8:I.DM 9:P.DM 10:Q.DM 11:S.DM	0	R/W
RO2 S1 SP	00A5h	Depend on parameter range	S1 active set point of Relay 2 (High Word)	1000	R/W
	00A6h		S1 active set point of Relay 2(Low Word)		
RO2_S2 Mode	00A7h	0~4	S2 function mode of Relay 2: 0:OFF 1:Lo 2:Hi 3:Lo.Hold 4:Hi.Hold	2	R/W
RO2 S2 Loop	00A8h	0~33	S2 Loop select of Relay 2 : 0:Ma 1:Ba1-3 2:Ba4-6 3:Ba7-9 4:Ba10-12 5:Mb 6:Bb1-3 7:Bb4-6 8:Bb7-9 9:Bb10-12 10:Ba1 11:Ba2 12:Ba3 13:Ba4 14:Ba5 15:Ba6 16:Ba7 17:Ba8 18:Ba9 19:Ba10 20:Ba11 21:Ba12 22:Bb1 23:Bb2 24:Bb3 25:Bb4 26:Bb5 27:Bb6 28:Bb7 29:Bb8 30:Bb9 31:Bb10 32:Bb11 33:Bb12	10	R/W
RO2_S2 Parameter	00A9h	0~11	S2 parameter select of Relay 2 : 0:F 1:V 2:U 3:I 4:P 5:Q 6:S 7:PF 8:I.DM 9:P.DM 10:Q.DM 11:S.DM	0	R/W
Ro2 S2 SP	00AAh	Depend on parameter range	S2 active set point of Relay 2 (High Word)	1000	R/W
	00ABh		S2 active set point of Relay 2(Low Word)		

Parameter	Address	Range	Description	Default	Property
RO2_S3 Mode	00ACh	0~4	S3 function mode of Relay 2: 0:OFF 1:Lo 2:Hi 3:Lo.Hold 4:Hi.Hold	2	R/W
RO2 S3 Loop	00ADh	0~33	S3 Loop select of Relay 2 : 0:Ma 1:Ba1-3 2:Ba4-6 3:Ba7-9 4:Ba10-12 5:Mb 6:Bb1-3 7:Bb4-6 8:Bb7-9 9:Bb10-12 10:Ba1 11:Ba2 12:Ba3 13:Ba4 14:Ba5 15:Ba6 16:Ba7 17:Ba8 18:Ba9 19:Ba10 20:Ba11 21:Ba12 22:Bb1 23:Bb2 24:Bb3 25:Bb4 26:Bb5 27:Bb6 28:Bb7 29:Bb8 30:Bb9 31:Bb10 32:Bb11 33:Bb12	10	R/W
RO2_S3 Parameter	00AEh	0~11	S3 parameter select of Relay 2 : 0:F 1:V 2:U 3:I 4:P 5:Q 6:S 7:PF 8:I.DM 9:P.DM 10:Q.DM 11:S.DM	0	R/W
RO2 S3 SP	00AFh	Depend on parameter range	S3 active set point of Relay 2(High Word)	1000	R/W
	00B0h		S3 active set point of Relay 2(Low Word)		
RO2_S4 Mode	00B1h	0~4	S4 function mode of Relay 2: 0:OFF 1:Lo 2:Hi 3:Lo.Hold 4:Hi.Hold	2	R/W
RO2 S4 Loop	00B2h	0~33	S4 Loop select of Relay 2 : 0:Ma 1:Ba1-3 2:Ba4-6 3:Ba7-9 4:Ba10-12 5:Mb 6:Bb1-3 7:Bb4-6 8:Bb7-9 9:Bb10-12 10:Ba1 11:Ba2 12:Ba3 13:Ba4 14:Ba5 15:Ba6 16:Ba7 17:Ba8 18:Ba9 19:Ba10 20:Ba11 21:Ba12 22:Bb1 23:Bb2 24:Bb3 25:Bb4 26:Bb5 27:Bb6 28:Bb7 29:Bb8 30:Bb9 31:Bb10 32:Bb11 33:Bb12	10	R/W
RO2_S4 Parameter	00B3h	0~11	S4 parameter select of Relay 2 : 0:F 1:V 2:U 3:I 4:P 5:Q 6:S 7:PF 8:I.DM 9:P.DM 10:Q.DM 11:S.DM	0	R/W
RO2 S4 SP	00B4h	Depend on parameter range	S4 active set point of Relay 2(High Word)	1000	R/W
	00B5h		S4 active set point of Relay 2(Low Word)		
RO2_S5 Mode	00B6h	0~4	S5 function mode of Relay 2: 0:OFF 1:Lo 2:Hi 3:Lo.Hold 4:Hi.Hold	2	R/W
RO2 S5 Loop	00B7h	0~33	S5 Loop select of Relay 2 : 0:Ma 1:Ba1-3 2:Ba4-6 3:Ba7-9 4:Ba10-12 5:Mb 6:Bb1-3 7:Bb4-6 8:Bb7-9 9:Bb10-12 10:Ba1 11:Ba2 12:Ba3 13:Ba4 14:Ba5 15:Ba6 16:Ba7 17:Ba8 18:Ba9 19:Ba10 20:Ba11 21:Ba12 22:Bb1 23:Bb2 24:Bb3 25:Bb4 26:Bb5 27:Bb6 28:Bb7 29:Bb8 30:Bb9 31:Bb10 32:Bb11 33:Bb12	10	R/W
RO2_S5 Parameter	00B8h	0~11	S5 parameter select of Relay 2 : 0:F 1:V 2:U 3:I 4:P 5:Q 6:S 7:PF 8:I.DM 9:P.DM 10:Q.DM 11:S.DM	0	R/W
RO2 S5 SP	00B9h	Depend on parameter range	S5 active set point of Relay 2(High Word)	1000	R/W
	00BAh		S5 active set point of Relay 2(Low Word)		



Parameter	Address	Range	Description	Default	Property
RO2_S6 Mode	00BBh	0~4	S6 function mode of Relay 2: 0:OFF 1:Lo 2:Hi 3:Lo.Hold 4:Hi.Hold	2	R/W
RO2 S6 Loop	00BCh	0~33	S6 Loop select of Relay 2 : 0:Ma 1:Ba1-3 2:Ba4-6 3:Ba7-9 4:Ba10-12 5:Mb 6:Bb1-3 7:Bb4-6 8:Bb7-9 9:Bb10-12 10:Ba1 11:Ba2 12:Ba3 13:Ba4 14:Ba5 15:Ba6 16:Ba7 17:Ba8 18:Ba9 19:Ba10 20:Ba11 21:Ba12 22:Bb1 23:Bb2 24:Bb3 25:Bb4 26:Bb5 27:Bb6 28:Bb7 29:Bb8 30:Bb9 31:Bb10 32:Bb11 33:Bb12	10	R/W
RO2_S6 Parameter	00BDh	0~11	S6 parameter select of Relay 2 : 0:F 1:V 2:U 3:I 4:P 5:Q 6:S 7:PF 8:I.DM 9:P.DM 10:Q.DM 11:S.DM	0	R/W
RO2 S6 SP	00BEh	Depend on parameter range	S6 active set point of Relay 2(High Word)	1000	R/W
	00BFh		S6 active set point of Relay 2(Low Word)		
RO2_S7 Mode	00C0h	0~4	S7function mode of Relay 2: 0:OFF 1:Lo 2:Hi 3:Lo.Hold 4:Hi.Hold	2	R/W
RO2 S7 Loop	00C1h	0~33	S7 Loop select of Relay 2 : 0:Ma 1:Ba1-3 2:Ba4-6 3:Ba7-9 4:Ba10-12 5:Mb 6:Bb1-3 7:Bb4-6 8:Bb7-9 9:Bb10-12 10:Ba1 11:Ba2 12:Ba3 13:Ba4 14:Ba5 15:Ba6 16:Ba7 17:Ba8 18:Ba9 19:Ba10 20:Ba11 21:Ba12 22:Bb1 23:Bb2 24:Bb3 25:Bb4 26:Bb5 27:Bb6 28:Bb7 29:Bb8 30:Bb9 31:Bb10 32:Bb11 33:Bb12	10	R/W
RO2_S7 Parameter	00C2h	0~11	S7 parameter select of Relay 2 : 0:F 1:V 2:U 3:I 4:P 5:Q 6:S 7:PF 8:I.DM 9:P.DM 10:Q.DM 11:S.DM	0	R/W
RO2 S7 SP	00C3h	Depend on parameter range	S7 active set point of Relay 2(High Word)	1000	R/W
	00C4h		S7 active set point of Relay 2(Low Word)		
RO2_S8 Mode	00C5h	0~4	S8function mode of Relay 2: 0:OFF 1:Lo 2:Hi 3:Lo.Hold 4:Hi.Hold	2	R/W
RO2 S8 Loop	00C6h	0~33	S8 Loop select of Relay 2 : 0:Ma 1:Ba1-3 2:Ba4-6 3:Ba7-9 4:Ba10-12 5:Mb 6:Bb1-3 7:Bb4-6 8:Bb7-9 9:Bb10-12 10:Ba1 11:Ba2 12:Ba3 13:Ba4 14:Ba5 15:Ba6 16:Ba7 17:Ba8 18:Ba9 19:Ba10 20:Ba11 21:Ba12 22:Bb1 23:Bb2 24:Bb3 25:Bb4 26:Bb5 27:Bb6 28:Bb7 29:Bb8 30:Bb9 31:Bb10 32:Bb11 33:Bb12	10	R/W
RO2_S8 Parameter	00C7h	0~11	S8 parameter select of Relay 2 : 0:F 1:V 2:U 3:I 4:P 5:Q 6:S 7:PF 8:I.DM 9:P.DM 10:Q.DM 11:S.DM	0	R/W
RO2 S8 SP	00C8h	Depend on parameter range	S8 active set point of Relay 2(High Word)	1000	R/W
	00C9h		S8 active set point of Relay 2(Low Word)		

Parameter	Address	Range	Description	Default	Property
RO2_S9 Mode	00CAh	0~4	S9function mode of Relay 2: 0:OFF 1:Lo 2:Hi 3:Lo.Hold 4:Hi.Hold	2	R/W
RO2 S9 Loop	00CBh	0~33	S9 Loop select of Relay 2 : 0:Ma 1:Ba1-3 2:Ba4-6 3:Ba7-9 4:Ba10-12 5:Mb 6:Bb1-3 7:Bb4-6 8:Bb7-9 9:Bb10-12 10:Ba1 11:Ba2 12:Ba3 13:Ba4 14:Ba5 15:Ba6 16:Ba7 17:Ba8 18:Ba9 19:Ba10 20:Ba11 21:Ba12 22:Bb1 23:Bb2 24:Bb3 25:Bb4 26:Bb5 27:Bb6 28:Bb7 29:Bb8 30:Bb9 31:Bb10 32:Bb11 33:Bb12	10	R/W
RO2_S9 Parameter	00CCh	0~11	S9 parameter select of Relay 2 : 0:F 1:V 2:U 3:I 4:P 5:Q 6:S 7:PF 8:I.DM 9:P.DM 10:Q.DM 11:S.DM	0	R/W
RO2 S9 SP	00CDh	Depend on parameter range	S9 active set point of Relay 2(High Word)	1000	R/W
	00CEh		S9 active set point of Relay 2(Low Word)		
RO2_S10 Mode	00CFh	0~4	S10function mode of Relay 2: 0:OFF 1:Lo 2:Hi 3:Lo.Hold 4:Hi.Hold	2	R/W
RO2 S10 Loop	00D0h	0~33	S10 Loop select of Relay 2 : 0:Ma 1:Ba1-3 2:Ba4-6 3:Ba7-9 4:Ba10-12 5:Mb 6:Bb1-3 7:Bb4-6 8:Bb7-9 9:Bb10-12 10:Ba1 11:Ba2 12:Ba3 13:Ba4 14:Ba5 15:Ba6 16:Ba7 17:Ba8 18:Ba9 19:Ba10 20:Ba11 21:Ba12 22:Bb1 23:Bb2 24:Bb3 25:Bb4 26:Bb5 27:Bb6 28:Bb7 29:Bb8 30:Bb9 31:Bb10 32:Bb11 33:Bb12	10	R/W
RO2_S10 Parameter	00D1h	0~11	S10 parameter select of Relay 2 : 0:F 1:V 2:U 3:I 4:P 5:Q 6:S 7:PF 8:I.DM 9:P.DM 10:Q.DM 11:S.DM	0	R/W
RO2 S10 SP	00D2h	Depend on parameter range	S10 active set point of Relay 2(High Word)	1000	R/W
	00D3h		S10 active set point of Relay 2(Low Word)		
RO2_S11 Mode	00D4h	0~4	S11 function mode of Relay 2: 0:OFF 1:Lo 2:Hi 3:Lo.Hold 4:Hi.Hold	2	R/W
RO2 S11 Loop	00D5h	0~33	S11 Loop select of Relay 2 : 0:Ma 1:Ba1-3 2:Ba4-6 3:Ba7-9 4:Ba10-12 5:Mb 6:Bb1-3 7:Bb4-6 8:Bb7-9 9:Bb10-12 10:Ba1 11:Ba2 12:Ba3 13:Ba4 14:Ba5 15:Ba6 16:Ba7 17:Ba8 18:Ba9 19:Ba10 20:Ba11 21:Ba12 22:Bb1 23:Bb2 24:Bb3 25:Bb4 26:Bb5 27:Bb6 28:Bb7 29:Bb8 30:Bb9 31:Bb10 32:Bb11 33:Bb12	10	R/W
RO2_S11 Parameter	00D6h	0~11	S11 parameter select of Relay 2 : 0:F 1:V 2:U 3:I 4:P 5:Q 6:S 7:PF 8:I.DM 9:P.DM 10:Q.DM 11:S.DM	0	R/W
RO2 S11 SP	00D7h	Depend on parameter range	S11 active set point of Relay 2(High Word)	1000	R/W
	00D8h		S11 active set point of Relay 2(Low Word)		

Parameter	Address	Range	Description	Default	Property
RO2_S12 Mode	00D9h	0~4	S12 function mode of Relay 2: 0:OFF 1:Lo 2:Hi 3:Lo.Hold 4:Hi.Hold	2	R/W
RO2 S12 Loop	00DAh	0~33	S12 Loop select of Relay 2 : 0:Ma 1:Ba1-3 2:Ba4-6 3:Ba7-9 4:Ba10-12 5:Mb 6:Bb1-3 7:Bb4-6 8:Bb7-9 9:Bb10-12 10:Ba1 11:Ba2 12:Ba3 13:Ba4 14:Ba5 15:Ba6 16:Ba7 17:Ba8 18:Ba9 19:Ba10 20:Ba11 21:Ba12 22:Bb1 23:Bb2 24:Bb3 25:Bb4 26:Bb5 27:Bb6 28:Bb7 29:Bb8 30:Bb9 31:Bb10 32:Bb11 33:Bb12	10	R/W
RO2_S11 Parameter	00DBh	0~11	S12 parameter select of Relay 2 : 0:F 1:V 2:U 3:I 4:P 5:Q 6:S 7:PF 8:I.DM 9:P.DM 10:Q.DM 11:S.DM	0	R/W
RO2 S12 SP	00DCh	Depend on parameter range	S12 active set point of Relay 2(High Word)	1000	R/W
	00DDh		S12 active set point of Relay 2(Low Word)		

Parameter	Address	Range	Description	Default	Property
RO3 Fun.	00DEh	0~1	Relay 3 function: 0:Alarm 1:DO	0	R/W
RO3 RD	00DFh	0000~5999 (×0.1second)	Relay 3 active delay time setting	0	R/W
RO3_S1 Mode	00E0h	0~4	S1 function mode of Relay 3: 0:OFF 1:Lo 2:Hi 3:Lo.Hold 4:Hi.Hold	2	R/W
RO3 S1 Loop	00E1h	0~33	S1 Loop select of Relay 3 : 0:Ma 1:Ba1-3 2:Ba4-6 3:Ba7-9 4:Ba10-12 5:Mb 6:Bb1-3 7:Bb4-6 8:Bb7-9 9:Bb10-12 10:Ba1 11:Ba2 12:Ba3 13:Ba4 14:Ba5 15:Ba6 16:Ba7 17:Ba8 18:Ba9 19:Ba10 20:Ba11 21:Ba12 22:Bb1 23:Bb2 24:Bb3 25:Bb4 26:Bb5 27:Bb6 28:Bb7 29:Bb8 30:Bb9 31:Bb10 32:Bb11 33:Bb12	10	R/W
RO3_S1 Parameter	00E2h	0~11	S1 parameter select of Relay 3 : 0:F 1:V 2:U 3:I 4:P 5:Q 6:S 7:PF 8:I.DM 9:P.DM 10:Q.DM 11:S.DM	0	R/W
RO3 S1 SP	00E3h	Depend on parameter range	S1 active set point of Relay 3(High Word)	1000	R/W
	00E4h		S1 active set point of Relay 3(Low Word)		
RO3_S2 Mode	00E5h	0~4	S2 function mode of Relay 3: 0:OFF 1:Lo 2:Hi 3:Lo.Hold 4:Hi.Hold	2	R/W
RO3 S2 Loop	00E6h	0~33	S2 Loop select of Relay 3 : 0:Ma 1:Ba1-3 2:Ba4-6 3:Ba7-9 4:Ba10-12 5:Mb 6:Bb1-3 7:Bb4-6 8:Bb7-9 9:Bb10-12 10:Ba1 11:Ba2 12:Ba3 13:Ba4 14:Ba5 15:Ba6 16:Ba7 17:Ba8 18:Ba9 19:Ba10 20:Ba11 21:Ba12 22:Bb1 23:Bb2 24:Bb3 25:Bb4 26:Bb5 27:Bb6 28:Bb7 29:Bb8 30:Bb9 31:Bb10 32:Bb11 33:Bb12	10	R/W
RO3_S2 Parameter	00E7h	0~11	S2 parameter select of Relay 3 : 0:F 1:V 2:U 3:I 4:P 5:Q 6:S 7:PF 8:I.DM 9:P.DM 10:Q.DM 11:S.DM	0	R/W
RO3 S2 SP	00E8h	Depend on parameter range	S2 active set point of Relay 3((High Word)	1000	R/W
	00E9h		S2 active set point of Relay 3(Low Word)		

Parameter	Address	Range	Description	Default	Property
RO3_S3 Mode	00EAh	0~4	S3 function mode of Relay 3: 0:OFF 1:Lo 2:Hi 3:Lo.Hold 4:Hi.Hold	2	R/W
RO3 S3 Loop	00EBh	0~33	S3 Loop select of Relay 3 : 0:Ma 1:Ba1-3 2:Ba4-6 3:Ba7-9 4:Ba10-12 5:Mb 6:Bb1-3 7:Bb4-6 8:Bb7-9 9:Bb10-12 10:Ba1 11:Ba2 12:Ba3 13:Ba4 14:Ba5 15:Ba6 16:Ba7 17:Ba8 18:Ba9 19:Ba10 20:Ba11 21:Ba12 22:Bb1 23:Bb2 24:Bb3 25:Bb4 26:Bb5 27:Bb6 28:Bb7 29:Bb8 30:Bb9 31:Bb10 32:Bb11 33:Bb12	10	R/W
RO3_S3 Parameter	00ECh	0~11	S3 parameter select of Relay 3 : 0:F 1:V 2:U 3:I 4:P 5:Q 6:S 7:PF 8:I.DM 9:P.DM 10:Q.DM 11:S.DM	0	R/W
RO3 S3 SP	00EDh	Depend on parameter range	S3 active set point of Relay 3(High Word)	1000	R/W
	00EEh		S3 active set point of Relay 3(Low Word)		
RO3_S4 Mode	00EFh	0~4	S4 function mode of Relay 3: 0:OFF 1:Lo 2:Hi 3:Lo.Hold 4:Hi.Hold	2	R/W
RO3 S4 Loop	00F0h	0~33	S4 Loop select of Relay 3 : 0:Ma 1:Ba1-3 2:Ba4-6 3:Ba7-9 4:Ba10-12 5:Mb 6:Bb1-3 7:Bb4-6 8:Bb7-9 9:Bb10-12 10:Ba1 11:Ba2 12:Ba3 13:Ba4 14:Ba5 15:Ba6 16:Ba7 17:Ba8 18:Ba9 19:Ba10 20:Ba11 21:Ba12 22:Bb1 23:Bb2 24:Bb3 25:Bb4 26:Bb5 27:Bb6 28:Bb7 29:Bb8 30:Bb9 31:Bb10 32:Bb11 33:Bb12	10	R/W
RO3_S4 Parameter	00F1h	0~11	S4 parameter select of Relay 3 : 0:F 1:V 2:U 3:I 4:P 5:Q 6:S 7:PF 8:I.DM 9:P.DM 10:Q.DM 11:S.DM	0	R/W
RO3 S4 SP	00F2h	Depend on parameter range	S4 active set point of Relay 3(High Word)	1000	R/W
	00F3h		S4 active set point of Relay 3(Low Word)		
RO3_S5 Mode	00F4h	0~4	S5 function mode of Relay 3: 0:OFF 1:Lo 2:Hi 3:Lo.Hold 4:Hi.Hold	2	R/W
RO3 S5 Loop	00F5h	0~33	S5 Loop select of Relay 3 : 0:Ma 1:Ba1-3 2:Ba4-6 3:Ba7-9 4:Ba10-12 5:Mb 6:Bb1-3 7:Bb4-6 8:Bb7-9 9:Bb10-12 10:Ba1 11:Ba2 12:Ba3 13:Ba4 14:Ba5 15:Ba6 16:Ba7 17:Ba8 18:Ba9 19:Ba10 20:Ba11 21:Ba12 22:Bb1 23:Bb2 24:Bb3 25:Bb4 26:Bb5 27:Bb6 28:Bb7 29:Bb8 30:Bb9 31:Bb10 32:Bb11 33:Bb12	10	R/W
RO3_S5 Parameter	00F6h	0~11	S5 parameter select of Relay 3 : 0:F 1:V 2:U 3:I 4:P 5:Q 6:S 7:PF 8:I.DM 9:P.DM 10:Q.DM 11:S.DM	0	R/W
RO3 S5 SP	00F7h	Depend on parameter range	S5 active set point of Relay 3(High Word)	1000	R/W
	00F8h		S5 active set point of Relay 3(Low Word)		

Parameter	Address	Range	Description	Default	Property
RO3_S6 Mode	00F9h	0~4	S6 function mode of Relay 3: 0:OFF 1:Lo 2:Hi 3:Lo.Hold 4:Hi.Hold	2	R/W
RO3 S6 Loop	00FAh	0~33	S6 Loop select of Relay 3 : 0:Ma 1:Ba1-3 2:Ba4-6 3:Ba7-9 4:Ba10-12 5:Mb 6:Bb1-3 7:Bb4-6 8:Bb7-9 9:Bb10-12 10:Ba1 11:Ba2 12:Ba3 13:Ba4 14:Ba5 15:Ba6 16:Ba7 17:Ba8 18:Ba9 19:Ba10 20:Ba11 21:Ba12 22:Bb1 23:Bb2 24:Bb3 25:Bb4 26:Bb5 27:Bb6 28:Bb7 29:Bb8 30:Bb9 31:Bb10 32:Bb11 33:Bb12	10	R/W
RO3_S6 Parameter	00FBh	0~11	S6 parameter select of Relay 3 : 0:F 1:V 2:U 3:I 4:P 5:Q 6:S 7:PF 8:I.DM 9:P.DM 10:Q.DM 11:S.DM	0	R/W
RO3 S6 SP	00FCh	Depend on parameter range	S6 active set point of Relay 3(High Word)	1000	R/W
	00FDh		S6 active set point of Relay 3(Low Word)		
RO3_S7 Mode	00FEh	0~4	S7 function mode of Relay 3: 0:OFF 1:Lo 2:Hi 3:Lo.Hold 4:Hi.Hold	2	R/W
RO3 S7 Loop	00FFh	0~33	S7 Loop select of Relay 3 : 0:Ma 1:Ba1-3 2:Ba4-6 3:Ba7-9 4:Ba10-12 5:Mb 6:Bb1-3 7:Bb4-6 8:Bb7-9 9:Bb10-12 10:Ba1 11:Ba2 12:Ba3 13:Ba4 14:Ba5 15:Ba6 16:Ba7 17:Ba8 18:Ba9 19:Ba10 20:Ba11 21:Ba12 22:Bb1 23:Bb2 24:Bb3 25:Bb4 26:Bb5 27:Bb6 28:Bb7 29:Bb8 30:Bb9 31:Bb10 32:Bb11 33:Bb12	10	R/W
RO3_S7 Parameter	0100h	0~11	S7 parameter select of Relay 3 : 0:F 1:V 2:U 3:I 4:P 5:Q 6:S 7:PF 8:I.DM 9:P.DM 10:Q.DM 11:S.DM	0	R/W
RO3 S7 SP	0101h	Depend on parameter range	S7 active set point of Relay 3(High Word)	1000	R/W
	0102h		S7 active set point of Relay 3(Low Word)		
RO3_S8 Mode	0103h	0~4	S8 function mode of Relay 3: 0:OFF 1:Lo 2:Hi 3:Lo.Hold 4:Hi.Hold	2	R/W
RO3 S8 Loop	0104h	0~33	S8 Loop select of Relay 3 : 0:Ma 1:Ba1-3 2:Ba4-6 3:Ba7-9 4:Ba10-12 5:Mb 6:Bb1-3 7:Bb4-6 8:Bb7-9 9:Bb10-12 10:Ba1 11:Ba2 12:Ba3 13:Ba4 14:Ba5 15:Ba6 16:Ba7 17:Ba8 18:Ba9 19:Ba10 20:Ba11 21:Ba12 22:Bb1 23:Bb2 24:Bb3 25:Bb4 26:Bb5 27:Bb6 28:Bb7 29:Bb8 30:Bb9 31:Bb10 32:Bb11 33:Bb12	10	R/W
RO3_S8 Parameter	0105h	0~11	S8 parameter select of Relay 3 : 0:F 1:V 2:U 3:I 4:P 5:Q 6:S 7:PF 8:I.DM 9:P.DM 10:Q.DM 11:S.DM	0	R/W
RO3 S8 SP	0106h	Depend on parameter range	S8 active set point of Relay 3(High Word)	1000	R/W
	0107h		S8 active set point of Relay 3(Low Word)		

Parameter	Address	Range	Description	Default	Property
RO3_S9 Mode	0108h	0~4	S9 function mode of Relay 3: 0:OFF 1:Lo 2:Hi 3:Lo.Hold 4:Hi.Hold	2	R/W
RO3 S9 Loop	0109h	0~33	S9 Loop select of Relay 3 : 0:Ma 1:Ba1-3 2:Ba4-6 3:Ba7-9 4:Ba10-12 5:Mb 6:Bb1-3 7:Bb4-6 8:Bb7-9 9:Bb10-12 10:Ba1 11:Ba2 12:Ba3 13:Ba4 14:Ba5 15:Ba6 16:Ba7 17:Ba8 18:Ba9 19:Ba10 20:Ba11 21:Ba12 22:Bb1 23:Bb2 24:Bb3 25:Bb4 26:Bb5 27:Bb6 28:Bb7 29:Bb8 30:Bb9 31:Bb10 32:Bb11 33:Bb12	10	R/W
RO3_S9 Parameter	010Ah	0~11	S9 parameter select of Relay 3 : 0:F 1:V 2:U 3:I 4:P 5:Q 6:S 7:PF 8:I.DM 9:P.DM 10:Q.DM 11:S.DM	0	R/W
RO3 S9 SP	010Bh	Depend on parameter range	S9 active set point of Relay 3(High Word)	1000	R/W
	010Ch		S9 active set point of Relay 3(Low Word)		
RO3_S10 Mode	010Dh	0~4	S10 function mode of Relay 3: 0:OFF 1:Lo 2:Hi 3:Lo.Hold 4:Hi.Hold	2	R/W
Ro3 S10 Loop	010Eh	0~33	S10 Loop select of Relay 3 : 0:Ma 1:Ba1-3 2:Ba4-6 3:Ba7-9 4:Ba10-12 5:Mb 6:Bb1-3 7:Bb4-6 8:Bb7-9 9:Bb10-12 10:Ba1 11:Ba2 12:Ba3 13:Ba4 14:Ba5 15:Ba6 16:Ba7 17:Ba8 18:Ba9 19:Ba10 20:Ba11 21:Ba12 22:Bb1 23:Bb2 24:Bb3 25:Bb4 26:Bb5 27:Bb6 28:Bb7 29:Bb8 30:Bb9 31:Bb10 32:Bb11 33:Bb12	10	R/W
RO3_S10 Parameter	010Fh	0~11	S10 parameter select of Relay 3 : 0:F 1:V 2:U 3:I 4:P 5:Q 6:S 7:PF 8:I.DM 9:P.DM 10:Q.DM 11:S.DM	0	R/W
RO3 S10 SP	0110h	Depend on parameter range	S10 active set point of Relay 3(High Word)	1000	R/W
	0111h		S10 active set point of Relay 3(Low Word)		
RO3_S11 Mode	0112h	0~4	S11 function mode of Relay 3: 0:OFF 1:Lo 2:Hi 3:Lo.Hold 4:Hi.Hold	2	R/W
RO3 S11 Loop	0113h	0~33	S11 Loop select of Relay 3 : 0:Ma 1:Ba1-3 2:Ba4-6 3:Ba7-9 4:Ba10-12 5:Mb 6:Bb1-3 7:Bb4-6 8:Bb7-9 9:Bb10-12 10:Ba1 11:Ba2 12:Ba3 13:Ba4 14:Ba5 15:Ba6 16:Ba7 17:Ba8 18:Ba9 19:Ba10 20:Ba11 21:Ba12 22:Bb1 23:Bb2 24:Bb3 25:Bb4 26:Bb5 27:Bb6 28:Bb7 29:Bb8 30:Bb9 31:Bb10 32:Bb11 33:Bb12	10	R/W
RO3_S11 Parameter	0114h	0~11	S11 parameter select of Relay 3 : 0:F 1:V 2:U 3:I 4:P 5:Q 6:S 7:PF 8:I.DM 9:P.DM 10:Q.DM 11:S.DM	0	R/W
RO3 S11 SP	0115h	Depend on parameter range	S11 active set point of Relay 3(High Word)	1000	R/W
	0116h		S11 active set point of Relay 3(Low Word)		

Parameter	Address	Range	Description	Default	Property
RO3 S12 MODE	0117h	0~4	S12 function mode of Relay 3: 0:OFF 1:Lo 2:Hi 3:Lo.Hold 4:Hi.Hold	2	R/W
RO3 S12 Loop	0118h	0~33	S12 Loop select of Relay 3 : 0:Ma 1:Ba1-3 2:Ba4-6 3:Ba7-9 4:Ba10-12 5:Mb 6:Bb1-3 7:Bb4-6 8:Bb7-9 9:Bb10-12 10:Ba1 11:Ba2 12:Ba3 13:Ba4 14:Ba5 15:Ba6 16:Ba7 17:Ba8 18:Ba9 19:Ba10 20:Ba11 21:Ba12 22:Bb1 23:Bb2 24:Bb3 25:Bb4 26:Bb5 27:Bb6 28:Bb7 29:Bb8 30:Bb9 31:Bb10 32:Bb11 33:Bb12	10	R/W
RO3_S12 Parameter	0119h	0~11	S12 parameter select of Relay 3 : 0:F 1:V 2:U 3:I 4:P 5:Q 6:S 7:PF 8:I.DM 9:P.DM 10:Q.DM 11:S.DM	0	R/W
RO3 S12 SP	011Ah	依RO3 S12 SL、P/T及C/T設定 項目的不同而有所不同	S12 active set point of Relay 3(High Word)	1000	R/W
	011Bh		S12 active set point of Relay 3(Low Word)		



Parameter	Address	Range	Description	Default	Property
RO4 Fun.	011Ch	0~1	Relay 4 function: 0:Alarm 1:DO	0	R/W
RO4 RD	011Dh	0000~5999 (×0.1second)	Relay 4 active delay time setting	0	R/W
RO4_S1 Mode	011Eh	0~4	S1 function mode of Relay 4: 0:OFF 1:Lo 2:Hi 3:Lo.Hold 4:Hi.Hold	2	R/W
RO4 S1 Loop	011Fh	0~33	S1 Loop select of Relay 4 : 0:Ma 1:Ba1-3 2:Ba4-6 3:Ba7-9 4:Ba10-12 5:Mb 6:Bb1-3 7:Bb4-6 8:Bb7-9 9:Bb10-12 10:Ba1 11:Ba2 12:Ba3 13:Ba4 14:Ba5 15:Ba6 16:Ba7 17:Ba8 18:Ba9 19:Ba10 20:Ba11 21:Ba12 22:Bb1 23:Bb2 24:Bb3 25:Bb4 26:Bb5 27:Bb6 28:Bb7 29:Bb8 30:Bb9 31:Bb10 32:Bb11 33:Bb12	10	R/W
RO4_S1 Parameter	0120h	0~11	S1 parameter select of Relay 4 : 0:F 1:V 2:U 3:I 4:P 5:Q 6:S 7:PF 8:I.DM 9:P.DM 10:Q.DM 11:S.DM	0	R/W
RO4 S1 SP	0121h	Depend on parameter range	S1 active set point of Relay 4(High Word)	1000	R/W
	0122h		S1 active set point of Relay 4(Low Word)		
RO4_S2 Mode	0123h	0~4	S2 function mode of Relay 4: 0:OFF 1:Lo 2:Hi 3:Lo.Hold 4:Hi.Hold	2	R/W
RO4 S2 Loop	0124h	0~33	S2 Loop select of Relay 4 : 0:Ma 1:Ba1-3 2:Ba4-6 3:Ba7-9 4:Ba10-12 5:Mb 6:Bb1-3 7:Bb4-6 8:Bb7-9 9:Bb10-12 10:Ba1 11:Ba2 12:Ba3 13:Ba4 14:Ba5 15:Ba6 16:Ba7 17:Ba8 18:Ba9 19:Ba10 20:Ba11 21:Ba12 22:Bb1 23:Bb2 24:Bb3 25:Bb4 26:Bb5 27:Bb6 28:Bb7 29:Bb8 30:Bb9 31:Bb10 32:Bb11 33:Bb12	10	R/W
RO4_S2 Parameter	0125h	0~11	S2 parameter select of Relay 4 : 0:F 1:V 2:U 3:I 4:P 5:Q 6:S 7:PF 8:I.DM 9:P.DM 10:Q.DM 11:S.DM	0	R/W
RO4 S2 SP	0126h	Depend on parameter range	S2 active set point of Relay 4(High Word)	1000	R/W
	0127h		S2 active set point of Relay 4(Low Word)		

Parameter	Address	Range	Description	Default	Property
RO4_S3 Mode	0128h	0~4	S3 function mode of Relay 4: 0:OFF 1:Lo 2:Hi 3:Lo.Hold 4:Hi.Hold	2	R/W
RO4 S3 Loop	0129h	0~33	S3 Loop select of Relay 4 : 0:Ma 1:Ba1-3 2:Ba4-6 3:Ba7-9 4:Ba10-12 5:Mb 6:Bb1-3 7:Bb4-6 8:Bb7-9 9:Bb10-12 10:Ba1 11:Ba2 12:Ba3 13:Ba4 14:Ba5 15:Ba6 16:Ba7 17:Ba8 18:Ba9 19:Ba10 20:Ba11 21:Ba12 22:Bb1 23:Bb2 24:Bb3 25:Bb4 26:Bb5 27:Bb6 28:Bb7 29:Bb8 30:Bb9 31:Bb10 32:Bb11 33:Bb12	10	R/W
RO4_S3 Parameter	012Ah	0~11	S3 parameter select of Relay 4 : 0:F 1:V 2:U 3:I 4:P 5:Q 6:S 7:PF 8:I.DM 9:P.DM 10:Q.DM 11:S.DM	0	R/W
RO4 S3 SP	012Bh	Depend on parameter range	S3 active set point of Relay 4(High Word)	1000	R/W
	012Ch		S3 active set point of Relay 4(Low Word)		
RO4_S4 Mode	012Dh	0~4	S4 function mode of Relay 4: 0:OFF 1:Lo 2:Hi 3:Lo.Hold 4:Hi.Hold	2	R/W
RO4 S4 Loop	012Eh	0~33	S4 Loop select of Relay 4 : 0:Ma 1:Ba1-3 2:Ba4-6 3:Ba7-9 4:Ba10-12 5:Mb 6:Bb1-3 7:Bb4-6 8:Bb7-9 9:Bb10-12 10:Ba1 11:Ba2 12:Ba3 13:Ba4 14:Ba5 15:Ba6 16:Ba7 17:Ba8 18:Ba9 19:Ba10 20:Ba11 21:Ba12 22:Bb1 23:Bb2 24:Bb3 25:Bb4 26:Bb5 27:Bb6 28:Bb7 29:Bb8 30:Bb9 31:Bb10 32:Bb11 33:Bb12	10	R/W
RO4_S4 Parameter	012Fh	0~11	S4 parameter select of Relay 4 : 0:F 1:V 2:U 3:I 4:P 5:Q 6:S 7:PF 8:I.DM 9:P.DM 10:Q.DM 11:S.DM	0	R/W
RO4 S4 SP	0130h	Depend on parameter range	S4 active set point of Relay 4(High Word)	1000	R/W
	0131h		S4 active set point of Relay 4(Low Word)		
RO4_S5 Mode	0132h	0~4	S5 function mode of Relay 4: 0:OFF 1:Lo 2:Hi 3:Lo.Hold 4:Hi.Hold	2	R/W
RO4 S5 Loop	0133h	0~33	S5 Loop select of Relay 4 : 0:Ma 1:Ba1-3 2:Ba4-6 3:Ba7-9 4:Ba10-12 5:Mb 6:Bb1-3 7:Bb4-6 8:Bb7-9 9:Bb10-12 10:Ba1 11:Ba2 12:Ba3 13:Ba4 14:Ba5 15:Ba6 16:Ba7 17:Ba8 18:Ba9 19:Ba10 20:Ba11 21:Ba12 22:Bb1 23:Bb2 24:Bb3 25:Bb4 26:Bb5 27:Bb6 28:Bb7 29:Bb8 30:Bb9 31:Bb10 32:Bb11 33:Bb12	10	R/W
RO4_S5 Parameter	0134h	0~11	S5 parameter select of Relay 4 : 0:F 1:V 2:U 3:I 4:P 5:Q 6:S 7:PF 8:I.DM 9:P.DM 10:Q.DM 11:S.DM	0	R/W
RO4 S5 SP	0135h	Depend on parameter range	S5 active set point of Relay 4(High Word)	1000	R/W
	0136h		S5 active set point of Relay 4(Low Word)		

Parameter	Address	Range	Description	Default	Property
RO4_S6 Mode	0137h	0~4	S6 function mode of Relay 4: 0:OFF 1:Lo 2:Hi 3:Lo.Hold 4:Hi.Hold	2	R/W
RO4 S6 Loop	0138h	0~33	S6 Loop select of Relay 4 : 0:Ma 1:Ba1-3 2:Ba4-6 3:Ba7-9 4:Ba10-12 5:Mb 6:Bb1-3 7:Bb4-6 8:Bb7-9 9:Bb10-12 10:Ba1 11:Ba2 12:Ba3 13:Ba4 14:Ba5 15:Ba6 16:Ba7 17:Ba8 18:Ba9 19:Ba10 20:Ba11 21:Ba12 22:Bb1 23:Bb2 24:Bb3 25:Bb4 26:Bb5 27:Bb6 28:Bb7 29:Bb8 30:Bb9 31:Bb10 32:Bb11 33:Bb12	10	R/W
RO4_S6 Parameter	0139h	0~11	S6 parameter select of Relay 4 : 0:F 1:V 2:U 3:I 4:P 5:Q 6:S 7:PF 8:I.DM 9:P.DM 10:Q.DM 11:S.DM	0	R/W
RO4 S6 SP	013Ah	Depend on parameter range	S6 active set point of Relay 4(High Word)	1000	R/W
	013Bh		S6 active set point of Relay 4(Low Word)		
RO4_S7 Mode	013Ch	0~4	S7 function mode of Relay 4: 0:OFF 1:Lo 2:Hi 3:Lo.Hold 4:Hi.Hold	2	R/W
Ro4 S7 Loop	013Dh	0~33	S7 Loop select of Relay 4 : 0:Ma 1:Ba1-3 2:Ba4-6 3:Ba7-9 4:Ba10-12 5:Mb 6:Bb1-3 7:Bb4-6 8:Bb7-9 9:Bb10-12 10:Ba1 11:Ba2 12:Ba3 13:Ba4 14:Ba5 15:Ba6 16:Ba7 17:Ba8 18:Ba9 19:Ba10 20:Ba11 21:Ba12 22:Bb1 23:Bb2 24:Bb3 25:Bb4 26:Bb5 27:Bb6 28:Bb7 29:Bb8 30:Bb9 31:Bb10 32:Bb11 33:Bb12	10	R/W
RO4_S7 Parameter	013Eh	0~11	S7 parameter select of Relay 4 : 0:F 1:V 2:U 3:I 4:P 5:Q 6:S 7:PF 8:I.DM 9:P.DM 10:Q.DM 11:S.DM	0	R/W
RO4 S7 SP	013Fh	Depend on parameter range	S7 active set point of Relay 4(High Word)	1000	R/W
	0140h		S7 active set point of Relay 4(Low Word)		
RO4_S8 Mode	0141h	0~4	S8 function mode of Relay 4: 0:OFF 1:Lo 2:Hi 3:Lo.Hold 4:Hi.Hold	2	R/W
RO4 S8 Loop	0142h	0~33	S8 Loop select of Relay 4 : 0:Ma 1:Ba1-3 2:Ba4-6 3:Ba7-9 4:Ba10-12 5:Mb 6:Bb1-3 7:Bb4-6 8:Bb7-9 9:Bb10-12 10:Ba1 11:Ba2 12:Ba3 13:Ba4 14:Ba5 15:Ba6 16:Ba7 17:Ba8 18:Ba9 19:Ba10 20:Ba11 21:Ba12 22:Bb1 23:Bb2 24:Bb3 25:Bb4 26:Bb5 27:Bb6 28:Bb7 29:Bb8 30:Bb9 31:Bb10 32:Bb11 33:Bb12	10	R/W
RO4_S8 Parameter	0143h	0~11	S8 parameter select of Relay 4 : 0:F 1:V 2:U 3:I 4:P 5:Q 6:S 7:PF 8:I.DM 9:P.DM 10:Q.DM 11:S.DM	0	R/W
RO4 S8 SP	0144h	Depend on parameter range	S8 active set point of Relay 4(High Word)	1000	R/W
	0145h		S8 active set point of Relay 4(Low Word)		

Parameter	Address	Range	Description	Default	Property
RO4_S9 Mode	0146h	0~4	S9 function mode of Relay 4: 0:OFF 1:Lo 2:Hi 3:Lo.Hold 4:Hi.Hold	2	R/W
RO4 S9 Loop	0147h	0~33	S9 Loop select of Relay 4 : 0:Ma 1:Ba1-3 2:Ba4-6 3:Ba7-9 4:Ba10-12 5:Mb 6:Bb1-3 7:Bb4-6 8:Bb7-9 9:Bb10-12 10:Ba1 11:Ba2 12:Ba3 13:Ba4 14:Ba5 15:Ba6 16:Ba7 17:Ba8 18:Ba9 19:Ba10 20:Ba11 21:Ba12 22:Bb1 23:Bb2 24:Bb3 25:Bb4 26:Bb5 27:Bb6 28:Bb7 29:Bb8 30:Bb9 31:Bb10 32:Bb11 33:Bb12	10	R/W
RO4_S9 Parameter	0148h	0~11	S9 parameter select of Relay 4 : 0:F 1:V 2:U 3:I 4:P 5:Q 6:S 7:PF 8:I.DM 9:P.DM 10:Q.DM 11:S.DM	0	R/W
RO4 S9 SP	0149h	Depend on parameter range	S9 active set point of Relay 4(High Word)	1000	R/W
	014Ah		S9 active set point of Relay 4(Low Word)		
RO4_S10 Mode	014Bh	0~4	S10 function mode of Relay 4: 0:OFF 1:Lo 2:Hi 3:Lo.Hold 4:Hi.Hold	2	R/W
RO4 S10 Loop	014Ch	0~33	S10 Loop select of Relay 4 : 0:Ma 1:Ba1-3 2:Ba4-6 3:Ba7-9 4:Ba10-12 5:Mb 6:Bb1-3 7:Bb4-6 8:Bb7-9 9:Bb10-12 10:Ba1 11:Ba2 12:Ba3 13:Ba4 14:Ba5 15:Ba6 16:Ba7 17:Ba8 18:Ba9 19:Ba10 20:Ba11 21:Ba12 22:Bb1 23:Bb2 24:Bb3 25:Bb4 26:Bb5 27:Bb6 28:Bb7 29:Bb8 30:Bb9 31:Bb10 32:Bb11 33:Bb12	10	R/W
RO4_S10 Parameter	014Dh	0~11	S10 parameter select of Relay 4 : 0:F 1:V 2:U 3:I 4:P 5:Q 6:S 7:PF 8:I.DM 9:P.DM 10:Q.DM 11:S.DM	0	R/W
RO4 S10 SP	014Eh	Depend on parameter range	S10 active set point of Relay 4(High Word)	1000	R/W
	014Fh		S10 active set point of Relay 4(Low Word)		
RO4_S11 Mode	0150h	0~4	S11 function mode of Relay 4: 0:OFF 1:Lo 2:Hi 3:Lo.Hold 4:Hi.Hold	2	R/W
RO4 S11 Loop	0151h	0~33	S11 Loop select of Relay 4 : 0:Ma 1:Ba1-3 2:Ba4-6 3:Ba7-9 4:Ba10-12 5:Mb 6:Bb1-3 7:Bb4-6 8:Bb7-9 9:Bb10-12 10:Ba1 11:Ba2 12:Ba3 13:Ba4 14:Ba5 15:Ba6 16:Ba7 17:Ba8 18:Ba9 19:Ba10 20:Ba11 21:Ba12 22:Bb1 23:Bb2 24:Bb3 25:Bb4 26:Bb5 27:Bb6 28:Bb7 29:Bb8 30:Bb9 31:Bb10 32:Bb11 33:Bb12	10	R/W
RO4_S11 Parameter	0152h	0~11	S11 parameter select of Relay 4 : 0:F 1:V 2:U 3:I 4:P 5:Q 6:S 7:PF 8:I.DM 9:P.DM 10:Q.DM 11:S.DM	0	R/W
RO4 S11 SP	0153h	Depend on parameter range	S11 active set point of Relay 4(High Word)	1000	R/W
	0154h		S11 active set point of Relay 4(Low Word)		

Parameter	Address	Range	Description	Default	Property
RO4_S12 Mode	0155h	0~4	S12 function mode of Relay 4: 0:OFF 1:Lo 2:Hi 3:Lo.Hold 4:Hi.Hold	2	R/W
Ro4 S12 Loop	0156h	0~33	S12 Loop select of Relay 4 : 0:Ma 1:Ba1-3 2:Ba4-6 3:Ba7-9 4:Ba10-12 5:Mb 6:Bb1-3 7:Bb4-6 8:Bb7-9 9:Bb10-12 10:Ba1 11:Ba2 12:Ba3 13:Ba4 14:Ba5 15:Ba6 16:Ba7 17:Ba8 18:Ba9 19:Ba10 20:Ba11 21:Ba12 22:Bb1 23:Bb2 24:Bb3 25:Bb4 26:Bb5 27:Bb6 28:Bb7 29:Bb8 30:Bb9 31:Bb10 32:Bb11 33:Bb12	10	R/W
RO4_S11 Parameter	0157h	0~11	S12 parameter select of Relay 4 : 0:F 1:V 2:U 3:I 4:P 5:Q 6:S 7:PF 8:I.DM 9:P.DM 10:Q.DM 11:S.DM	0	R/W
RO4 S12 SP	0158h	Depend on parameter range	S12 active set point of Relay 4(High Word)	1000	R/W
	0159h		S12 active set point of Relay 4(Low Word)		

RS485 communication setting (Function code : 03h , 06h , 10h)

Parameter	Address	Range	Description	Default	Property
COM1 Address	0172h	1~247	Device address setting	1	R/W
COM 1 Baudrate	0173h	0~5	Baudrate 0:1200 1:2400 2:4800 3:9600 4:19200 5:38400	3	R/W
COM 1 Parity	0174h	0~3	Parity check 0:N.8.1 1:N.8.2 2:ODD 3:EVEN	1	R/W
COM 2 Address	0175h	1~247	Device address setting	1	R/W
COM 2 Baudrate	0176h	0~5	Baudrate 0:1200 1:2400 2:4800 3:9600 4:19200 5:38400	3	R/W
COM 2 Parity	0177h	0~3	Parity check 0:N.8.1 1:N.8.2 2:ODD 3:EVEN	1	R/W

External Control Input setting (Function code : 03h , 06h , 10h)

Parameter	Address	Range	Description	Default	Property
DI1 MODE	0181h	0~6	DI 1 function : 0:DI 1:A.DM.ST 2:A.DM.RST 3:A.M.DM.RST 4:A.E.RST 5:A.M.RST 6:RY.RST	0	R/W
DI1 TRIG	0182h	0~1	DI 1 trigger level : 0:Low 1:High	1	R/W
DI1 DEBN	0183h	0~99(×8mS)	DI 1 debouncing time	5	R/W
DI2 MODE	0184h	0~6	DI 2 function :	0	R/W
DI2 TRIG	0185h	0~1	DI 2 trigger level : 0:Low 1:High	1	R/W
DI2 DEBN	0186h	0~99(×8mS)	DI 2 debouncing time	5	R/W

Demand setting (Function code : 03h , 06h , 10h)

Parameter	Address	Range	Description	Default	Property
DEMD MODE	018Dh	0~1	Calculation method : 0:SLIDING 1:FIXED	0	R/W
DEMD INVL	018Eh	1~60 min	Demand interval setting	15	R/W

User define display (SUMP) setting(Function code : 03h , 06h , 10h)

Parameter	Address	Range	Description	Default	Property
Loop Sel	0192h	0~33	Loop select : 0:Ma 1:Ba1-3 2:Ba4-6 3:Ba7-9 4:Ba10-12 5:Mb 6:Bb1-3 7:Bb4-6 8:Bb7-9 9:Bb10-12 10:Ba1 11:Ba2 12:Ba3 13:Ba4 14:Ba5 15:Ba6 16:Ba7 17:Ba8 18:Ba9 19:Ba10 20:Ba11 21:Ba12 22:Bb1 23:Bb2 24:Bb3 25:Bb4 26:Bb5 27:Bb6 28:Bb7 29:Bb8 30:Bb9 31:Bb10 32:Bb11 33:Bb12	1	R/W
Parameter 1 Sel	0193h	0~8	Parameter 1 select : 0:F 1:V 2:U 3:l 4:P 5:Q 6:S 7:PF 8:AE	1	R/W
Parameter 2 Sel	0194h	0~8	Parameter 2~4 select : Sane to Parameter 1 select setting	3	R/W
Parameter 3 Sel	0195h	0~8		4	R/W
Parameter 4 Sel	0196h	0~8		8	R/W

Date & Time setting( Function code :03h , 06h , 10h ):

Parameter	Address	Range	Description	Default	Property
BACK LIGH	019Ah	0~15 min	LCM backlight delay time setting ; 0 is always ON	1	R/W
Year	019Bh	2000~2099	Year	2014	R/W
Month	019Ch	1~12	Month	1	R/W
Day	019Dh	1~31	Day	1	R/W
Hour	019Eh	0~23	Hour	0	R/W
Minute	019Fh	0~59	Minute	0	R/W
Second	01A0h	0~59	Second	0	R/W

Pass word & summary display setting( Function code :03h , 06h , 10h ):

Parameter	Address	Range	Description	Default	Property
PASS WORD	01A4h	0000~9999	Pass word setting	1000	R/W
DISPLAY	01A5h	0~6	Main summary display select 0: SUM1 1:SUM2 2: SUM3 3: SUM4 4:SUM5 5: SUM6 6: SUMP	0	R/W

External Control Input status reading ( Function code : 02h ) : ( bit0~bit1 : ECI1~ECI2 )

Parameter	Address	Range	Description	Default	Property
DI1 STATUS	0000h	0~1	ECI 1 input status ; 0=untriged , 1=triged		R
DI2 STATUS	0001h	0~1	ECI 2 input status ; 0=untriged , 1=triged		R
Reserved	0002h		保留	0	R
Reserved	0003h		保留	0	R
Reserved	0004h		保留	0	R

Relay status & control ( Function code : 01h , 05h ) : ( bit0~bit3 : Relay1~Relay4)

Parameter	Address	Range	Description	Default	Property
RO1 STATUS & CONTROL	0000h	0~1	Relay 1 status & control ; 0=Realy off , 1=Realy on		R/W
RO2 STATUS & CONTROL	0001h	0~1	Relay 2 status & control ; 0=Realy off , 1=Realy on		R/W
RO3 STATUS & CONTROL	0002h	0~1	Relay 3 status & control ; 0=Realy off , 1=Realy on		R/W
RO4 STATUS & CONTROL	0003h	0~1	Relay 4 status & control ; 0=Realy off , 1=Realy on		R/W



Ma	0200h	0~16	Ma values reset: 0:None 1: Reset all values (non-include Max. demand) 2:Reset all energy values 3:Reset all demand values 4: Reset all Max. demand 5:Reset all max/min values 6:Reset active energy 7:Reset reactive energy 8:Reset apparent energy 9:Reset current demand 10:Reset active power demand 11:Reset reactive power demand 12: Reset apparent power demand 13: Reset Max. current demand 14:Reset Max. active power demand 15:Reset Max. reactive power demand 16:Reset Max. apparent power demand	0	R/W
Ba1	0201h	0~16	Ba1~Ba12 values reset Same to Ma setting	0	R/W
Ba2	0202h				
Ba3	0203h				
Ba4	0204h				
Ba5	0205h				
Ba6	0206h				
Ba7	0207h				
Ba8	0208h				
Ba9	0209h				
Ba10	020Ah				
Ba11	020Bh				
Ba12	020Ch				

Mb	020Dh	0~16	Ma values reset: 0:None 1: Reset all values (non-include Max. demand) 2:Reset all energy values 3:Reset all demand values 4: Reset all Max. demand 5:Reset all max/min values 6:Reset active energy 7:Reset reactive energy 8:Reset apparent energy 9:Reset current demand 10:Reset active power demand 11:Reset reactive power demand 12: Reset apparent power demand 13: Reset Max. current demand 14:Reset Max. active power demand 15:Reset Max. reactive power demand 16:Reset Max. apparent power demand	0	R/W
Bb1	020Eh	0~16	Ba1~Ba12 values reset Same to Ma setting	0	R/W
Bb2	020Fh				
Bb3	0210h				
Bb4	0211h				
Bb5	0212h				
Bb6	0213h				
Bb7	0214h				
Bb8	0215h				
Bb9	0216h				
Bb10	0217h				
Bb11	0218h				
Bb12	0219h				
AL.L	021Ah	0~16	All circuits values reset Same to Ma setting	0	R/W
INIT	021Bh	0~9999	Write 7170 for re-initializes the device	0	R/W

Ma metering parameters reading (Function code : 03h , 06h , 10h): ※Reserved : 0

Parameter	Address	Range	Description	Default	Property
Ma.FREQ	1000h	45.00~65.00Hz	Ma frequency		R
Ma.V1	1001h	0.0~1200000.0V	Ma.V1 phase voltage(High Word)		R
	1002h		Ma.V1 phase voltage(Low Word)		R
Ma.V2	1003h	0.0~1200000.0V	Ma.V2 phase voltage(High Word)		R
	1004h		Ma.V2 phase voltage(Low Word)		R
Ma.V3	1005h	0.0~1200000.0V	Ma.V3 phase voltage(High Word)		R
	1006h		Ma.V3 phase voltage(Low Word)		R
Ma.V	1007h	0.0~1200000.0V	Ma average phase voltage(High Word)		R
	1008h		Ma average phase voltage(Low Word)		R
Ma.U12	1009h	0.0~1200000.0V	Ma.U12 line voltage(High Word)		R
	100Ah		Ma.U12 line voltage(Low Word)		R
Ma.U23	100Bh	0.0~1200000.0V	Ma.U23 line voltage(High Word)		R
	100Ch		Ma.U23 line voltage(Low Word)		R
Ma.U31	100Dh	0.0~1200000.0V	Ma.U31 line voltage(High Word)		R
	100Eh		Ma.U31 line voltage(Low Word)		R
Ma.U	100Fh	0.0~1200000.0V	Ma average line voltage(High Word)		R
	1010h		Ma average line voltage(Low Word)		R
Ma.I1	1011h	0.000~9999.999A	Ma.I1 current(High Word)		R
	1012h		Ma.I1 current(Low Word)		R
Ma.I2	1013h	0.000~9999.999A	Ma.I2 current(High Word)		R
	1014h		Ma.I2 current(Low Word)		R
Ma.I3	1015h	0.000~9999.999A	Ma.I3 current(High Word)		R
	1016h		Ma.I3 current(Low Word)		R
Ma.I	1017h	0.000~9999.999A	Ma average current(High Word)		R
	1018h		Ma average current(Low Word)		R
Ma.IN	1019h	0.000~9999.999A	Ma neutral current(High Word)		R
	101Ah		Ma neutral current(Low Word)		R
Ma.P1	101Bh	-999999999~999999999W	Ma.P1 active power(High Word)		R
	101Ch		Ma.P1 active power(Low Word)		R
Ma.P2	101Dh	-999999999~999999999W	Ma.P2 active power(High Word)		R
	101Eh		Ma.P2 active power(Low Word)		R
Ma.P3	101Fh	-999999999~999999999W	Ma.P3 active power(High Word)		R
	1020h		Ma.P3 active power(Low Word)		R
Ma.P	1021h	-999999999~999999999W	Ma.P.SUM total active power(High Word)		R
	1022h		Ma.P.SUM total active power(Low Word)		R
Ma.Q1	1023h	-999999999~999999999VAR	Ma.Q1 reactive power(High Word)		R
	1024h		Ma.Q1 reactive power(Low Word)		R
Ma.Q2	1025h	-999999999~999999999VAR	Ma.Q2 reactive power(High Word)		R
	1026h		Ma.Q2 reactive power(Low Word)		R
Ma.Q3	1027h	-999999999~999999999VAR	Ma.Q3 reactive power(High Word)		R
	1028h		Ma.Q3 reactive power(Low Word)		R
Ma.Q	1029h	-999999999~999999999VAR	Ma.Q.SUM total reactive power(High Word)		R
	102Ah		Ma.Q.SUM total reactive power(Low Word)		R
Ma.S1	102Bh	0~999999999VA	Ma.S1 apparent power(High Word)		R
	102Ch		Ma.S1 apparent power(Low Word)		R
Ma.S2	102Dh	0~999999999VA	Ma.S2 apparent power(High Word)		R
	102Eh		Ma.S2 apparent power(Low Word)		R
Ma.S3	102Fh	0~999999999VA	Ma.S3 apparent power(High Word)		R
	1030h		Ma.S3 apparent power(Low Word)		R
Ma.S	1031h	0~999999999VA	Ma.S.SUM total apparent power(High Word)		R
	1032h		Ma.S.SUM total apparent power(Low Word)		R
Ma.PF1	1033h	-0.020~1.000~0.020	Ma.PF1 power factor		R
Ma.PF2	1034h	-0.020~1.000~0.020	Ma.PF2 power factor		R
Ma.PF3	1035h	-0.020~1.000~0.020	Ma.PF3 power factor		R
Ma.PF	1036h	-0.020~1.000~0.020	Ma average power factor		R
Ma.Uunbl	1037h	0~300.0%	Ma voltage unbalance		R
Ma.Iunbl	1038h	0~300.0%	Ma current unbalance		R

Ma metering parameters reading (Function code : 03h , 06h , 10h): ※Reserved : 0

Parameter	Address	Range	Description	Default	Property
Ma.I1.DM	1039h	0.000~9999.999A	Ma.I1 current demand(High Word)		R
	103Ah		Ma.I1 current demand(Low Word)		R
Ma.I2.DM	103Bh	0.000~9999.999A	Ma.I2 current demand(High Word)		R
	103Ch		Ma.I2 current demand(Low Word)		R
Ma.I3.DM	103Dh	0.000~9999.999A	Ma.I3 current demand(High Word)		R
	103Eh		Ma.I3 current demand(Low Word)		R
Ma.I.DM	103Fh	0.000~9999.999A	Ma average current demand(High Word)		R
	1040h		Ma average current demand(Low Word)		R
Ma.P.DM	1041h	-999999999 ~ 999999999W	Ma total active power demand(High Word)		R
	1042h		Ma total active power demand(Low Word)		R
Ma.Q.DM	1043h	-999999999 ~ 999999999VAR	Ma total reactive power demand(High Word)		R
	1044h		Ma total reactive power demand(Low Word)		R
Ma.S.DM	1045h	0 ~ 999999999VA	Ma total apparent power demand(High Word)		R
	1046h		Ma total apparent power demand(Low Word)		R
Ma.AE.Imp	1047h	0.0~99999999.9kWh	Ma import total active energy(High Word)		R
	1048h		Ma import total active energy(Low Word)		R
Ma.RE	1049h	0.0~99999999.9kVARh	Ma import total reactive energy(High Word)		R
	104Ah		Ma import total reactive energy(Low Word)		R
Ma.SE	104Bh	0.0~99999999.9kVAh	Ma total apparent energy(High Word)		R
	104Ch		Ma total apparent energy(Low Word)		R
Reserved	104Dh		Reserved		R
Reserved	104Eh		Reserved		R
Reserved	104Fh		Reserved		R

Ma THD of voltage and current reading( Function code :03h ): ※Reserved : 0

Parameter	Address	Range	Description	Default	Property
Ma.V1(U12).THD	1059h	0.0~100.0%	Ma.V1(U12)THD		R
Ma.V2(U23).THD	105Ah	0.0~100.0%	Ma.V2(U23)THD		R
Ma.V3(U31).THD	105Bh	0.0~100.0%	Ma.V3(U31)THD		R
Ma.UAVG.THd	105Ch	0.0~100.0%	Ma average THD_V		R
Ma.I1.THd	105Dh	0.0~100.0%	Ma.I1 THD		R
Ma.I2.THd	105Eh	0.0~100.0%	Ma.I2 THD		R
Ma.I3.THd	105Fh	0.0~100.0%	Ma.I3 THD		R
Ma.IAVG.THd	1060h	0.0~100.0%	Ma average THD_I		R
Reserved	1061h		Reserved		R
Reserved	1062h		Reserved		R

Ma THD of voltage and current reading( Function code :03h ): ※Reserved : 0

Parameter	Address	Range	Description	Default	Property
Ma.V1(U12).HD2	1067h	0.0~100.0%	Ma.V1(U12) the 2nd to 31st harmonics		R
Ma.V1(U12).HD3	1068h	0.0~100.0%			R
Ma.V1(U12).HD4	1069h	0.0~100.0%			R
Ma.V1(U12).HD5	106Ah	0.0~100.0%			R
Ma.V1(U12).HD6	106Bh	0.0~100.0%			R
Ma.V1(U12).HD7	106Ch	0.0~100.0%			R
Ma.V1(U12).HD8	106Dh	0.0~100.0%			R
Ma.V1(U12).HD9	106Eh	0.0~100.0%			R
Ma.V1(U12).HD10	106Fh	0.0~100.0%			R
Ma.V1(U12).HD11	1070h	0.0~100.0%			R
Ma.V1(U12).HD12	1071h	0.0~100.0%			R
Ma.V1(U12).HD13	1072h	0.0~100.0%			R
Ma.V1(U12).HD14	1073h	0.0~100.0%			R
Ma.V1(U12).HD15	1074h	0.0~100.0%			R
Ma.V1(U12).HD16	1075h	0.0~100.0%			R
Ma.V1(U12).HD17	1076h	0.0~100.0%			R
Ma.V1(U12).HD18	1077h	0.0~100.0%			R
Ma.V1(U12).HD19	1078h	0.0~100.0%			R
Ma.V1(U12).HD20	1079h	0.0~100.0%			R
Ma.V1(U12).HD21	107Ah	0.0~100.0%			R
Ma.V1(U12).HD22	107Bh	0.0~100.0%			R
Ma.V1(U12).HD23	107Ch	0.0~100.0%			R
Ma.V1(U12).HD24	107Dh	0.0~100.0%			R
Ma.V1(U12).HD25	107Eh	0.0~100.0%			R
Ma.V1(U12).HD26	107Fh	0.0~100.0%			R
Ma.V1(U12).HD27	1080h	0.0~100.0%			R
Ma.V1(U12).HD28	1081h	0.0~100.0%			R
Ma.V1(U12).HD29	1082h	0.0~100.0%			R
Ma.V1(U12).HD30	1083h	0.0~100.0%			R
Ma.V1(U12).HD31	1084h	0.0~100.0%			R
Reserved	1085h			Reserved	
Reserved	1086h		Reserved		R
Reserved	1087h		Reserved		R
Reserved	1088h		Reserved		R
Reserved	1089h		Reserved		R
Reserved	108Ah		Reserved		R

Ma THD of voltage and current reading( Function code :03h ): ※Reserved : 0

Parameter	Address	Range	Description	Default	Property
Ma.V2(U23).HD2	108Bh	0.0~100.0%	Ma.V2(U23) the 2nd to 20th harmonics		R
Ma.V2(U23).HD3	108Ch	0.0~100.0%			R
Ma.V2(U23).HD4	108Dh	0.0~100.0%			R
Ma.V2(U23).HD5	108Eh	0.0~100.0%			R
Ma.V2(U23).HD6	108Fh	0.0~100.0%			R
Ma.V2(U23).HD7	1090h	0.0~100.0%			R
Ma.V2(U23).HD8	1091h	0.0~100.0%			R
Ma.V2(U23).HD9	1092h	0.0~100.0%			R
Ma.V2(U23).HD10	1093h	0.0~100.0%			R
Ma.V2(U23).HD11	1094h	0.0~100.0%			R
Ma.V2(U23).HD12	1095h	0.0~100.0%			R
Ma.V2(U23).HD13	1096h	0.0~100.0%			R
Ma.V2(U23).HD14	1097h	0.0~100.0%			R
Ma.V2(U23).HD15	1098h	0.0~100.0%			R
Ma.V2(U23).HD16	1099h	0.0~100.0%			R
Ma.V2(U23).HD17	109Ah	0.0~100.0%			R
Ma.V2(U23).HD18	109Bh	0.0~100.0%			R
Ma.V2(U23).HD19	109Ch	0.0~100.0%			R
Ma.V2(U23).HD20	109Dh	0.0~100.0%			R

Ma THD of voltage and current reading( Function code :03h ):

※Reserved : 0

Parameter	Address	Range	Description	Default	Property	
Ma.V2(U23).HD21	109Eh	0.0~100.0%	Ma.V2(U23) the 21st to 31st harmonics		R	
Ma.V2(U23).HD22	109Fh	0.0~100.0%			R	
Ma.V2(U23).HD23	10A0h	0.0~100.0%			R	
Ma.V2(U23).HD24	10A1h	0.0~100.0%			R	
Ma.V2(U23).HD25	10A2h	0.0~100.0%			R	
Ma.V2(U23).HD26	10A3h	0.0~100.0%			R	
Ma.V2(U23).HD27	10A4h	0.0~100.0%			R	
Ma.V2(U23).HD28	10A5h	0.0~100.0%			R	
Ma.V2(U23).HD29	10A6h	0.0~100.0%			R	
Ma.V2(U23).HD30	10A7h	0.0~100.0%			R	
Ma.V2(U23).HD31	10A8h	0.0~100.0%			R	
Reserved	10A9h			Reserved		R
Reserved	10AAh			Reserved		R
Reserved	10ABh		Reserved		R	
Reserved	10ACh		Reserved		R	
Reserved	10ADh		Reserved		R	
Reserved	10AEh		Reserved		R	
Ma.V3(U31).HD2	10AFh	0.0~100.0%	Ma.V3(U31) the 2nd to 31st harmonics		R	
Ma.V3(U31).HD3	10B0h	0.0~100.0%			R	
Ma.V3(U31).HD4	10B1h	0.0~100.0%			R	
Ma.V3(U31).HD5	10B2h	0.0~100.0%			R	
Ma.V3(U31).HD6	10B3h	0.0~100.0%			R	
Ma.V3(U31).HD7	10B4h	0.0~100.0%			R	
Ma.V3(U31).HD8	10B5h	0.0~100.0%			R	
Ma.V3(U31).HD9	10B6h	0.0~100.0%			R	
Ma.V3(U31).HD10	10B7h	0.0~100.0%			R	
Ma.V3(U31).HD11	10B8h	0.0~100.0%			R	
Ma.V3(U31).HD12	10B9h	0.0~100.0%			R	
Ma.V3(U31).HD13	10BAh	0.0~100.0%			R	
Ma.V3(U31).HD14	10BBh	0.0~100.0%			R	
Ma.V3(U31).HD15	10BCh	0.0~100.0%			R	
Ma.V3(U31).HD16	10BDh	0.0~100.0%			R	
Ma.V3(U31).HD17	10BEh	0.0~100.0%			R	
Ma.V3(U31).HD18	10BFh	0.0~100.0%			R	
Ma.V3(U31).HD19	10C0h	0.0~100.0%			R	
Ma.V3(U31).HD20	10C1h	0.0~100.0%			R	
Ma.V3(U31).HD21	10C2h	0.0~100.0%			R	
Ma.V3(U31).HD22	10C3h	0.0~100.0%			R	
Ma.V3(U31).HD23	10C4h	0.0~100.0%		R		
Ma.V3(U31).HD24	10C5h	0.0~100.0%		R		
Ma.V3(U31).HD25	10C6h	0.0~100.0%		R		
Ma.V3(U31).HD26	10C7h	0.0~100.0%		R		
Ma.V3(U31).HD27	10C8h	0.0~100.0%		R		
Ma.V3(U31).HD28	10C9h	0.0~100.0%		R		
Ma.V3(U31).HD29	10CAh	0.0~100.0%		R		
Ma.V3(U31).HD30	10CBh	0.0~100.0%		R		
Ma.V3(U31).HD31	10CCh	0.0~100.0%		R		
Reserved	10CDh		Reserved		R	
Reserved	10CEh		Reserved		R	
Reserved	10CFh		Reserved		R	
Reserved	10D0h		Reserved		R	
Reserved	10D1h		Reserved		R	
Reserved	10D2h		Reserved		R	
Ma.I1.HD2	10D3h	0.0~100.0%	MaI1 2nd harmonics		R	
Ma.I1.HD3	10D4h	0.0~100.0%	MaI1 3rd harmonics		R	
Ma.I1.HD4	10D5h	0.0~100.0%	MaI1 4th harmonics		R	

Ma THD of voltage and current reading( Function code :03h ): ※Reserved : 0

Parameter	Address	Range	Description	Default	Property	
Ma.I1.HD5	10D6h	0.0~100.0%	Ma.I1 the 5th to 31st harmonics		R	
Ma.I1.HD6	10D7h	0.0~100.0%			R	
Ma.I1.HD7	10D8h	0.0~100.0%			R	
Ma.I1.HD8	10D9h	0.0~100.0%			R	
Ma.I1.HD9	10DAh	0.0~100.0%			R	
Ma.I1.HD10	10DBh	0.0~100.0%			R	
Ma.I1.HD11	10DCh	0.0~100.0%			R	
Ma.I1.HD12	10DDh	0.0~100.0%			R	
Ma.I1.HD13	10DEh	0.0~100.0%			R	
Ma.I1.HD14	10DFh	0.0~100.0%			R	
Ma.I1.HD15	10E0h	0.0~100.0%			R	
Ma.I1.HD16	10E1h	0.0~100.0%			R	
Ma.I1.HD17	10E2h	0.0~100.0%			R	
Ma.I1.HD18	10E3h	0.0~100.0%			R	
Ma.I1.HD19	10E4h	0.0~100.0%			R	
Ma.I1.HD20	10E5h	0.0~100.0%			R	
Ma.I1.HD21	10E6h	0.0~100.0%			R	
Ma.I1.HD22	10E7h	0.0~100.0%			R	
Ma.I1.HD23	10E8h	0.0~100.0%			R	
Ma.I1.HD24	10E9h	0.0~100.0%			R	
Ma.I1.HD25	10EAh	0.0~100.0%			R	
Ma.I1.HD26	10EBh	0.0~100.0%			R	
Ma.I1.HD27	10ECh	0.0~100.0%			R	
Ma.I1.HD28	10EDh	0.0~100.0%			R	
Ma.I1.HD29	10EEh	0.0~100.0%			R	
Ma.I1.HD30	10EFh	0.0~100.0%			R	
Ma.I1.HD31	10F0h	0.0~100.0%			R	
Reserved	10F1h			Reserved		R
Reserved	10F2h			Reserved		R
Reserved	10F3h			Reserved		R
Reserved	10F4h			Reserved		R
Reserved	10F5h		Reserved		R	
Reserved	10F6h		Reserved		R	
Ma.I2.HD2	10F7h	0.0~100.0%	Ma.I2 the 2nd to 24th harmonics		R	
Ma.I2.HD3	10F8h	0.0~100.0%			R	
Ma.I2.HD4	10F9h	0.0~100.0%			R	
Ma.I2.HD5	10FAh	0.0~100.0%			R	
Ma.I2.HD6	10FBh	0.0~100.0%			R	
Ma.I2.HD7	10FCh	0.0~100.0%			R	
Ma.I2.HD8	10FDh	0.0~100.0%			R	
Ma.I2.HD9	10FEh	0.0~100.0%			R	
Ma.I2.HD10	10FFh	0.0~100.0%			R	
Ma.I2.HD11	1100h	0.0~100.0%			R	
Ma.I2.HD12	1101h	0.0~100.0%			R	
Ma.I2.HD13	1102h	0.0~100.0%			R	
Ma.I2.HD14	1103h	0.0~100.0%			R	
Ma.I2.HD15	1104h	0.0~100.0%			R	
Ma.I2.HD16	1105h	0.0~100.0%			R	
Ma.I2.HD17	1106h	0.0~100.0%			R	
Ma.I2.HD18	1107h	0.0~100.0%			R	
Ma.I2.HD19	1108h	0.0~100.0%			R	
Ma.I2.HD20	1109h	0.0~100.0%			R	
Ma.I2.HD21	110Ah	0.0~100.0%			R	
Ma.I2.HD22	110Bh	0.0~100.0%			R	
Ma.I2.HD23	110Ch	0.0~100.0%			R	
Ma.I2.HD24	110Dh	0.0~100.0%			R	

Ma THD of voltage and current reading( Function code :03h ): ※Reserved : 0

Parameter	Address	Range	Description	Default	Property
Ma.I2.HD25	110Eh	0.0~100.0%	MaI2 the 25th to 31st harmonics		R
Ma.I2.HD26	110Fh	0.0~100.0%			R
Ma.I2.HD27	1110h	0.0~100.0%			R
Ma.I2.HD28	1111h	0.0~100.0%			R
Ma.I2.HD29	1112h	0.0~100.0%			R
Ma.I2.HD30	1113h	0.0~100.0%			R
Ma.I2.HD31	1114h	0.0~100.0%			R
Reserved	1115h		Reserved		R
Reserved	1116h		Reserved		R
Reserved	1117h		Reserved		R
Reserved	1118h		Reserved		R
Reserved	1119h		Reserved		R
Reserved	111Ah		Reserved		R
Ma.I3.HD2	111Bh	0.0~100.0%	MaI3 the 2nd to 31st harmonics		R
Ma.I3.HD3	111Ch	0.0~100.0%			R
Ma.I3.HD4	111Dh	0.0~100.0%			R
Ma.I3.HD5	111Eh	0.0~100.0%			R
Ma.I3.HD6	111Fh	0.0~100.0%			R
Ma.I3.HD7	1120h	0.0~100.0%			R
Ma.I3.HD8	1121h	0.0~100.0%			R
Ma.I3.HD9	1122h	0.0~100.0%			R
Ma.I3.HD10	1123h	0.0~100.0%			R
Ma.I3.HD11	1124h	0.0~100.0%			R
Ma.I3.HD12	1125h	0.0~100.0%			R
Ma.I3.HD13	1126h	0.0~100.0%			R
Ma.I3.HD14	1127h	0.0~100.0%			R
Ma.I3.HD15	1128h	0.0~100.0%			R
Ma.I3.HD16	1129h	0.0~100.0%			R
Ma.I3.HD17	112Ah	0.0~100.0%			R
Ma.I3.HD18	112Bh	0.0~100.0%			R
Ma.I3.HD19	112Ch	0.0~100.0%			R
Ma.I3.HD20	112Dh	0.0~100.0%			R
Ma.I3.HD21	112Eh	0.0~100.0%			R
Ma.I3.HD22	112Fh	0.0~100.0%			R
Ma.I3.HD23	1130h	0.0~100.0%			R
Ma.I3.HD24	1131h	0.0~100.0%			R
Ma.I3.HD25	1132h	0.0~100.0%			R
Ma.I3.HD26	1133h	0.0~100.0%			R
Ma.I3.HD27	1134h	0.0~100.0%			R
Ma.I3.HD28	1135h	0.0~100.0%			R
Ma.I3.HD29	1136h	0.0~100.0%			R
Ma.I3.HD30	1137h	0.0~100.0%			R
Ma.I3.HD31	1138h	0.0~100.0%			R
Reserved	1139h			Reserved	
Reserved	113Ah		Reserved		R
Reserved	113Bh		Reserved		R
Reserved	113Ch		Reserved		R
Reserved	113Dh		Reserved		R
Reserved	113Eh		Reserved		R



Ma MAX/MIN Values (Function code :03h):

※Reserved: 0

Parameter	Address	Range	Description	Default	Property	
Ma.V1.MAX	113Fh	0.0 ~1200000.0V	Ma.V1 Maximum phase voltage	(High Word)	R	
	1140h			(Low Word)	R	
Year	1141h	2000~2099	Year		R	
Month	1142h	1~12	Month		R	
Day	1143h	1~31	Day		R	
Hour	1144h	0~23	Hour		R	
Minute	1145h	0~59	Minute		R	
Second	1146h	0~59	Second		R	
Ma.V1.MIN	1147h	0.0 ~1200000.0V	Ma.V1 Minimum phase voltage and time stamp		R	
	1148h				R	
Year	1149h	2000~2099			R	
Month	114Ah	1~12			R	
Day	114Bh	1~31			R	
Hour	114Ch	0~23			R	
Minute	114Dh	0~59			R	
Second	114Eh	0~59			R	
Ma.V2.MAX	114Fh	0.0 ~1200000.0V		Ma.V2 Maximum phase voltage and time stamp		R
	1150h					R
Year	1151h	2000~2099			R	
Month	1152h	1~12			R	
Day	1153h	1~31			R	
Hour	1154h	0~23			R	
Minute	1155h	0~59			R	
Second	1156h	0~59			R	
Ma.V2.MIN	1157h	0.0 ~1200000.0V	Ma.V2 Minimum phase voltage and time stamp			R
	1158h					R
Year	1159h	2000~2099			R	
Month	115Ah	1~12			R	
Day	115Bh	1~31			R	
Hour	115Ch	0~23			R	
Minute	115Dh	0~59			R	
Second	115Eh	0~59			R	
Ma.V3.MAX	115Fh	0.0 ~1200000.0V		Ma.V3 Maximum phase voltage and time stamp		R
	1160h					R
Year	1161h	2000~2099			R	
Month	1162h	1~12			R	
Day	1163h	1~31			R	
Hour	1164h	0~23			R	
Minute	1165h	0~59			R	
Second	1166h	0~59			R	
Ma.V3.MIN	1167h	0.0 ~1200000.0V	Ma.V3 Minimum phase voltage and time stamp			R
	1168h					R
Year	1169h	2000~2099			R	
Month	116Ah	1~12			R	
Day	116Bh	1~31			R	
Hour	116Ch	0~23			R	
Minute	116Dh	0~59			R	
Second	116Eh	0~59			R	
Ma.V.AVG.MAX	116Fh	0.0 ~1200000.0V		Ma Maximum average phase voltage and time stamp		R
	1170h					R
Year	1171h	2000~2099			R	
Month	1172h	1~12			R	
Day	1173h	1~31			R	
Hour	1174h	0~23			R	
Minute	1175h	0~59			R	
Second	1176h	0~59			R	

Ma MAX/MIN Values (Function code :03h):

※Reserved: 0

Parameter	Address	Range	Description	Default	Property
Ma.V.AVG.MIN	1177h	0.0 ~1200000.0V	Ma Minimum average phase voltage and time stamp		R
	1178h				R
Year	1179h	2000~2099			R
Month	117Ah	1~12			R
Day	117Bh	1~31			R
Hour	117Ch	0~23			R
Minute	117Dh	0~59			R
Second	117Eh	0~59			R
Ma.U12.MAX	117Fh	0.0 ~1200000.0V			Ma.U12 Maximum line voltage and time stamp
	1180h		R		
Year	1181h	2000~2099	R		
Month	1182h	1~12	R		
Day	1183h	1~31	R		
Hour	1184h	0~23	R		
Minute	1185h	0~59	R		
Second	1186h	0~59	R		
Ma.U12.MIN	1187h	0.0 ~1200000.0V	Ma.U12 Minimum line voltage and time stamp		
	1188h				R
Year	1189h	2000~2099			R
Month	118Ah	1~12			R
Day	118Bh	1~31			R
Hour	118Ch	0~23			R
Minute	118Dh	0~59			R
Second	118Eh	0~59			R
Ma.U23.MAX	118Fh	0.0 ~1200000.0V			Ma.U23 Maximum line voltage and time stamp
	1190h		R		
Year	1191h	2000~2099	R		
Month	1192h	1~12	R		
Day	1193h	1~31	R		
Hour	1194h	0~23	R		
Minute	1195h	0~59	R		
Second	1196h	0~59	R		
Ma.U23.MIN	1197h	0.0 ~1200000.0V	Ma.U23 Minimum line voltage and time stamp		
	1198h				R
Year	1199h	2000~2099			R
Month	119Ah	1~12			R
Day	119Bh	1~31			R
Hour	119Ch	0~23			R
Minute	119Dh	0~59			R
Second	119Eh	0~59			R
Ma.U31.MAX	119Fh	0.0 ~1200000.0V			Ma.U31 Maximum line voltage and time stamp
	11A0h		R		
Year	11A1h	2000~2099	R		
Month	11A2h	1~12	R		
Day	11A3h	1~31	R		
Hour	11A4h	0~23	R		
Minute	11A5h	0~59	R		
Second	11A6h	0~59	R		
Ma.U31.MIN	11A7h	0.0 ~1200000.0V	Ma.U31 Minimum line voltage and time stamp		
	11A8h				R
Year	11A9h	2000~2099			R
Month	11AAh	1~12			R
Day	11ABh	1~31			R
Hour	11ACh	0~23			R
Minute	11ADh	0~59			R
Second	11AEh	0~59			R

Ma MAX/MIN Values (Function code :03h):

※Reserved: 0

Parameter	Address	Range	Description	Default	Property	
Ma.U.AVG.MAX	11AFh	0.0 ~1200000.0V	Ma Maximum average line voltage and time stamp		R	
	11B0h				R	
Year	11B1h	2000~2099			R	
Month	11B2h	1~12			R	
Day	11B3h	1~31			R	
Hour	11B4h	0~23			R	
Minute	11B5h	0~59			R	
Second	11B6h	0~59			R	
Ma.U.AVG.MIN	11B7h	0.0 ~1200000.0V		Ma Minimum average line voltage and time stamp		R
	11B8h					R
Year	11B9h	2000~2099			R	
Month	11BAh	1~12			R	
Day	11BBh	1~31			R	
Hour	11BCh	0~23			R	
Minute	11BDh	0~59			R	
Second	11BEh	0~59			R	
Ma.I1.MAX	11BFh	0.000~9999.999A	Ma.I1 Maximum current and time stamp			R
	11C0h					R
Year	11C1h	2000~2099			R	
Month	11C2h	1~12			R	
Day	11C3h	1~31			R	
Hour	11C4h	0~23			R	
Minute	11C5h	0~59			R	
Second	11C6h	0~59			R	
Ma.I1.MIN	11C7h	0.000~9999.999A		Ma.I1 Minimum current and time stamp		R
	11C8h					R
Year	11C9h	2000~2099			R	
Month	11CAh	1~12			R	
Day	11CBh	1~31			R	
Hour	11CCh	0~23			R	
Minute	11CDh	0~59			R	
Second	11CEh	0~59			R	
Ma.I2.MAX	11CFh	0.000~9999.999A	Ma.I2 Maximum current and time stamp			R
	11D0h					R
Year	11D1h	2000~2099			R	
Month	11D2h	1~12			R	
Day	11D3h	1~31			R	
Hour	11D4h	0~23			R	
Minute	11D5h	0~59			R	
Second	11D6h	0~59			R	
Ma.I2.MIN	11D7h	0.000~9999.999A		Ma.I2 Minimum current and time stamp		R
	11D8h					R
Year	11D9h	2000~2099			R	
Month	11DAh	1~12			R	
Day	11DBh	1~31			R	
Hour	11DCh	0~23			R	
Minute	11DDh	0~59			R	
Second	11DEh	0~59			R	
Ma.I3.MAX	11DFh	0.000~9999.999A	Ma.I3 Maximum current and time stamp			R
	11E0h					R
Year	11E1h	2000~2099			R	
Month	11E2h	1~12			R	
Day	11E3h	1~31			R	
Hour	11E4h	0~23			R	
Minute	11E5h	0~59			R	
Second	11E6h	0~59			R	

## Ma MAX/MIN Values (Function code :03h):

※Reserved: 0

Parameter	Address	Range	Description	Default	Property	
Ma.I3.MIN	11E7h	0.000~9999.999A	Ma.I3 Minimum current and time stamp		R	
	11E8h				R	
Year	11E9h	2000~2099			R	
Month	11EAh	1~12			R	
Day	11EBh	1~31			R	
Hour	11ECh	0~23			R	
Minute	11EDh	0~59			R	
Second	11EEh	0~59			R	
Ma.I.AVG.MAX	11EFh	0.000~9999.999A		Ma Maximum average current and time stamp		R
	11F0h					R
Year	11F1h	2000~2099			R	
Month	11F2h	1~12			R	
Day	11F3h	1~31			R	
Hour	11F4h	0~23			R	
Minute	11F5h	0~59			R	
Second	11F6h	0~59			R	
Ma.I.AVG.MIN	11F7h	0.000~9999.999A	Ma Minimum average current and time stamp			R
	11F8h					R
Year	11F9h	2000~2099			R	
Month	11FAh	1~12			R	
Day	11FBh	1~31			R	
Hour	11FCh	0~23			R	
Minute	11FDh	0~59			R	
Second	11FEh	0~59			R	
Ma.P1.MAX	11FFh	-999999999~999999999W		Ma.P1 Maximum active power and time stamp		R
	1200h					R
Year	1201h	2000~2099			R	
Month	1202h	1~12			R	
Day	1203h	1~31			R	
Hour	1204h	0~23			R	
Minute	1205h	0~59			R	
Second	1206h	0~59			R	
Ma.P1.MIN	1207h	-999999999~999999999W	Ma.P1 Minimum active power and time stamp			R
	1208h					R
Year	1209h	2000~2099			R	
Month	120Ah	1~12			R	
Day	120Bh	1~31			R	
Hour	120Ch	0~23			R	
Minute	120Dh	0~59			R	
Second	120Eh	0~59			R	
Ma.P2.MAX	120Fh	-999999999~999999999W		Ma.P2 Maximum active power and time stamp		R
	1210h					R
Year	1211h	2000~2099			R	
Month	1212h	1~12			R	
Day	1213h	1~31			R	
Hour	1214h	0~23			R	
Minute	1215h	0~59			R	
Second	1216h	0~59			R	
Ma.P2.MIN	1217h	-999999999~999999999W	Ma.P2 Minimum active power and time stamp			R
	1218h					R
Year	1219h	2000~2099			R	
Month	121Ah	1~12			R	
Day	121Bh	1~31			R	
Hour	121Ch	0~23			R	
Minute	121Dh	0~59			R	
Second	121Eh	0~59			R	

Ma MAX/MIN Values (Function code :03h):

※Reserved: 0

Parameter	Address	Range	Description	Default	Property		
Ma.P3.MAX	121Fh	-999999999~999999999W	Ma.P3 Maximum active power and time stamp		R		
	1220h				R		
Year	1221h	2000~2099			R		
Month	1222h	1~12			R		
Day	1223h	1~31			R		
Hour	1224h	0~23			R		
Minute	1225h	0~59			R		
Second	1226h	0~59			R		
Ma.P3.MIN	1227h	-999999999~999999999W			Ma.P3 Minimum active power and time stamp		R
	1228h						R
Year	1229h	2000~2099	R				
Month	122Ah	1~12	R				
Day	122Bh	1~31	R				
Hour	122Ch	0~23	R				
Minute	122Dh	0~59	R				
Second	122Eh	0~59	R				
Ma.Pt.MAX	122Fh	-999999999~999999999W	Ma.P.SUM Maximum total active power and time stamp				R
	1230h						R
Year	1231h	2000~2099			R		
Month	1232h	1~12			R		
Day	1233h	1~31			R		
Hour	1234h	0~23			R		
Minute	1235h	0~59			R		
Second	1236h	0~59			R		
Ma.Pt.MIN	1237h	-999999999~999999999W			Ma.P.SUM Minimum total active power and time stamp		R
	1238h						R
Year	1239h	2000~2099	R				
Month	123Ah	1~12	R				
Day	123Bh	1~31	R				
Hour	123Ch	0~23	R				
Minute	123Dh	0~59	R				
Second	123Eh	0~59	R				
Ma.Q1.MAX	123Fh	-999999999~999999999VAR	Ma.Q1 Maximum reactive power and time stamp				R
	1240h						R
Year	1241h	2000~2099			R		
Month	1242h	1~12			R		
Day	1243h	1~31			R		
Hour	1244h	0~23			R		
Minute	1245h	0~59			R		
Second	1246h	0~59			R		
Ma.Q1.MIN	1247h	-999999999~999999999VAR			Ma.Q1 Minimum reactive power and time stamp		R
	1248h						R
Year	1249h	2000~2099	R				
Month	124Ah	1~12	R				
Day	124Bh	1~31	R				
Hour	124Ch	0~23	R				
Minute	124Dh	0~59	R				
Second	124Eh	0~59	R				
Ma.Q2.MAX	124Fh	-999999999~999999999VAR	Ma.Q2 Maximum reactive power and time stamp				R
	1250h						R
Year	1251h	2000~2099			R		
Month	1252h	1~12			R		
Day	1253h	1~31			R		
Hour	1254h	0~23			R		
Minute	1255h	0~59			R		
Second	1256h	0~59			R		

Ma MAX/MIN Values (Function code :03h):

※Reserved: 0

Parameter	Address	Range	Description	Default	Property
Ma.Q2.MIN	1257h	-999999999~999999999VAR	Ma.Q2 Minimum reactive power and time stamp		R
	1258h				R
Year	1259h	2000~2099			R
Month	125Ah	1~12			R
Day	125Bh	1~31			R
Hour	125Ch	0~23			R
Minute	125Dh	0~59			R
Second	125Eh	0~59			R
Ma.Q3.MAX	125Fh	-999999999~999999999VAR	Ma.Q3 Maximum reactive power and time stamp		R
	1260h				R
Year	1261h	2000~2099			R
Month	1262h	1~12			R
Day	1263h	1~31			R
Hour	1264h	0~23			R
Minute	1265h	0~59			R
Second	1266h	0~59			R
Ma.Q3.MIN	1267h	-999999999~999999999VAR	Ma.Q3 Minimum reactive power and time stamp		R
	1268h				R
Year	1269h	2000~2099			R
Month	126Ah	1~12			R
Day	126Bh	1~31			R
Hour	126Ch	0~23			R
Minute	126Dh	0~59			R
Second	126Eh	0~59			R
Ma.Qt.MAX	126Fh	-999999999~999999999VAR	Ma.Q.SUM Maximum total reactive power and time stamp		R
	1270h				R
Year	1271h	2000~2099			R
Month	1272h	1~12			R
Day	1273h	1~31			R
Hour	1274h	0~23			R
Minute	1275h	0~59			R
Second	1276h	0~59			R
Ma.Qt.MIN	1277h	-999999999~999999999VAR	Ma.Q.SUM Minimum total reactive power and time stamp		R
	1278h				R
Year	1279h	2000~2099			R
Month	127Ah	1~12			R
Day	127Bh	1~31			R
Hour	127Ch	0~23			R
Minute	127Dh	0~59			R
Second	127Eh	0~59			R
Ma.S1.MAX	127Fh	0 ~ 999999999VA	Ma.S1 Maximum apparent power and time stamp		R
	1280h				R
Year	1281h	2000~2099			R
Month	1282h	1~12			R
Day	1283h	1~31			R
Hour	1284h	0~23			R
Minute	1285h	0~59			R
Second	1286h	0~59			R
Ma.S1.MIN	1287h	0 ~ 999999999VA	Ma.S1 Minimum apparent power and time stamp		R
	1288h				R
Year	1289h	2000~2099			R
Month	128Ah	1~12			R
Day	128Bh	1~31			R
Hour	128Ch	0~23			R
Minute	128Dh	0~59			R
Second	128Eh	0~59			R

## Ma MAX/MIN Values (Function code :03h):

※Reserved: 0

Parameter	Address	Range	Description	Default	Property		
Ma.S2.MAX	128Fh	0 ~ 999999999VA	Ma.S2 Maximum apparent power and time stamp		R		
	1290h				R		
Year	1291h	2000~2099			R		
Month	1292h	1~12			R		
Day	1293h	1~31			R		
Hour	1294h	0~23			R		
Minute	1295h	0~59			R		
Second	1296h	0~59			R		
Ma.S2.MIN	1297h	0 ~ 999999999VA			Ma.S2 Minimum apparent power and time stamp		R
	1298h						R
Year	1299h	2000~2099	R				
Month	129Ah	1~12	R				
Day	129Bh	1~31	R				
Hour	129Ch	0~23	R				
Minute	129Dh	0~59	R				
Second	129Eh	0~59	R				
Ma.S3.MAX	129Fh	0 ~ 999999999VA	Ma.S3 Maximum apparent power and time stamp				R
	12A0h						R
Year	12A1h	2000~2099			R		
Month	12A2h	1~12			R		
Day	12A3h	1~31			R		
Hour	12A4h	0~23			R		
Minute	12A5h	0~59			R		
Second	12A6h	0~59			R		
Ma.S3.MIN	12A7h	0 ~ 999999999VA			Ma.S3 Minimum apparent power and time stamp		R
	12A8h						R
Year	12A9h	2000~2099	R				
Month	12AAh	1~12	R				
Day	12ABh	1~31	R				
Hour	12ACh	0~23	R				
Minute	12ADh	0~59	R				
Second	12AEh	0~59	R				
Ma.St.MAX	12AFh	0 ~ 999999999VA	Ma.S.SUM Maximum total apparent power and time stamp				R
	12B0h						R
Year	12B1h	2000~2099			R		
Month	12B2h	1~12			R		
Day	12B3h	1~31			R		
Hour	12B4h	0~23			R		
Minute	12B5h	0~59			R		
Second	12B6h	0~59			R		
Ma.St.MIN	12B7h	0 ~ 999999999VA			Ma.S.SUM Minimum total apparent power and time stamp		R
	12B8h						R
Year	12B9h	2000~2099	R				
Month	12BAh	1~12	R				
Day	12BBh	1~31	R				
Hour	12BCh	0~23	R				
Minute	12BDh	0~59	R				
Second	12BEh	0~59	R				
Ma.PF1.MAX	12BFh	-1.000~1.000	Ma.PF1 Maximum power factor and time stamp				R
Year	12C0h	2000~2099					R
Month	12C1h	1~12			R		
Day	12C2h	1~31			R		
Hour	12C3h	0~23			R		
Minute	12C4h	0~59			R		
Second	12C5h	0~59	R				

Ma MAX/MIN Values (Function code :03h):

※Reserved: 0

Parameter	Address	Range	Description	Default	Property
Ma.PF1.MIN	12C6h	-1.000~1.000	Ma.PF1 Minimum power factor and time stamp		R
Year	12C7h	2000~2099			R
Month	12C8h	1~12			R
Day	12C9h	1~31			R
Hour	12CAh	0~23			R
Minute	12CBh	0~59			R
Second	12CCh	0~59			R
Ma.PF2.MAX	12CDh	-1.000~1.000		Ma.PF2 Maximum power factor and time stamp	
Year	12CEh	2000~2099			R
Month	12CFh	1~12			R
Day	12D0h	1~31			R
Hour	12D1h	0~23			R
Minute	12D2h	0~59			R
Second	12D3h	0~59			R
Ma.PF2.MIN	12D4h	-1.000~1.000	Ma.PF2 Minimum power factor and time stamp		
Year	12D5h	2000~2099			R
Month	12D6h	1~12			R
Day	12D7h	1~31			R
Hour	12D8h	0~23			R
Minute	12D9h	0~59			R
Second	12DAh	0~59			R
Ma.PF3.MAX	12DBh	-1.000~1.000		Ma.PF3 Maximum power factor and time stamp	
Year	12DCh	2000~2099			R
Month	12DDh	1~12			R
Day	12DEh	1~31			R
Hour	12DFh	0~23			R
Minute	12E0h	0~59			R
Second	12E1h	0~59			R
Ma.PF3.Min	12E2h	-1.000~1.000	Ma.PF3 Minimum power factor and time stamp		
Year	12E3h	2000~2099			R
Month	12E4h	1~12			R
Day	12E5h	1~31			R
Hour	12E6h	0~23			R
Minute	12E7h	0~59			R
Second	12E8h	0~59			R
Ma.PF.AVG.MAX	12E9h	-1.000~1.000		Ma Maximum average power factor and time stamp	
Year	12EAh	2000~2099			R
Month	12EBh	1~12			R
Day	12ECh	1~31			R
Hour	12EDh	0~23			R
Minute	12EEh	0~59			R
Second	12EFh	0~59			R
Ma.PF.AVG.MIN	12F0h	-1.000~1.000	Ma Minimum average power factor and time stamp		
Year	12F1h	2000~2099			R
Month	12F2h	1~12			R
Day	12F3h	1~31			R
Hour	12F4h	0~23			R
Minute	12F5h	0~59			R
Second	12F6h	0~59			R
Ma.FREQ.MAX	12F7h	45.00~65.00Hz		Ma Maximum frequency and time stamp	
Year	12F8h	2000~2099			R
Month	12F9h	1~12			R
Day	12FAh	1~31			R
Hour	12FBh	0~23			R
Minute	12FCh	0~59			R
Second	12FDh	0~59			R



Ma MAX/MIN Values (Function code :03h):

※Reserved: 0

Parameter	Address	Range	Description	Default	Property
Ma.FREQ.MIN	12FEh	45.00~65.00Hz	Ma Minimum frequency and time stamp		R
Year	12FFh	2000~2099			R
Month	1300h	1~12			R
Day	1301h	1~31			R
Hour	1302h	0~23			R
Minute	1303h	0~59			R
Second	1304h	0~59			R
Ma.V1(U12).THD.MAX	1305h			Ma.V1(U12) Maximum total harmonic distortion for voltage and time stamp	
Year	1306h	2000~2099			R
Month	1307h	1~12			R
Day	1308h	1~31			R
Hour	1309h	0~23			R
Minute	130Ah	0~59			R
Second	130Bh	0~59			R
Ma.V1(U12).THD.MIN	130Ch		Ma.V1(U12) Minimum total harmonic distortion for voltage and time stamp		
Year	130Dh	2000~2099			R
Month	130Eh	1~12			R
Day	130Fh	1~31			R
Hour	1310h	0~23			R
Minute	1311h	0~59			R
Second	1312h	0~59			R
Ma.V2(U23).THD.MAX	1313h			Ma.V2(U23) Maximum total harmonic distortion for voltage and time stamp	
Year	1314h	2000~2099			R
Month	1315h	1~12			R
Day	1316h	1~31			R
Hour	1317h	0~23			R
Minute	1318h	0~59			R
Second	1319h	0~59			R
Ma.V2(U23).THD.MIN	131Ah		Ma.V2(U23) Minimum total harmonic distortion for voltage and time stamp		
Year	131Bh	2000~2099			R
Month	131Ch	1~12			R
Day	131Dh	1~31			R
Hour	131Eh	0~23			R
Minute	131Fh	0~59			R
Second	1320h	0~59			R
Ma.V3(U31).THD.MAX	1321h			Ma.V3(U31) Maximum total harmonic distortion for voltage and time stamp	
Year	1322h	2000~2099			R
Month	1323h	1~12			R
Day	1324h	1~31			R
Hour	1325h	0~23			R
Minute	1326h	0~59			R
Second	1327h	0~59			R
Ma.V3(U31).THD.MIN	1328h		Ma.V3(U31) Minimum total harmonic distortion for voltage and time stamp		
Year	1329h	2000~2099			R
Month	132Ah	1~12			R
Day	132Bh	1~31			R
Hour	132Ch	0~23			R
Minute	132Dh	0~59			R
Second	132Eh	0~59			R
Ma.U.AVG.THD.MAX	132Fh			Ma Maximum average total harmonic distortion for voltage and time stamp	
Year	1330h	2000~2099			R
Month	1331h	1~12			R
Day	1332h	1~31			R
Hour	1333h	0~23			R
Minute	1334h	0~59			R
Second	1335h	0~59			R

Ma MAX/MIN Values (Function code :03h):

※Reserved: 0

Parameter	Address	Range	Description	Default	Property
Ma.U.AVG.THD.MIN	1336h		Ma Minimum average total harmonic distortion for voltage and time stamp		R
Year	1337h	2000~2099			R
Month	1338h	1~12			R
Day	1339h	1~31			R
Hour	133Ah	0~23			R
Minute	133Bh	0~59			R
Second	133Ch	0~59			R
Ma.I1.THD.MAX	133Dh			Ma.I1 Maximum total harmonic distortion for current and time stamp	
Year	133Eh	2000~2099			R
Month	133Fh	1~12			R
Day	1340h	1~31			R
Hour	1341h	0~23			R
Minute	1342h	0~59			R
Second	1343h	0~59			R
Ma.I1.THD.MIN	1344h		Ma.I1 Minimum total harmonic distortion for current and time stamp		
Year	1345h	2000~2099			R
Month	1346h	1~12			R
Day	1347h	1~31			R
Hour	1348h	0~23			R
Minute	1349h	0~59			R
Second	134Ah	0~59			R
Ma.I2.THD.MAX	134Bh			Ma.I2 Maximum total harmonic distortion for current and time stamp	
Year	134Ch	2000~2099			R
Month	134Dh	1~12			R
Day	134Eh	1~31			R
Hour	134Fh	0~23			R
Minute	1350h	0~59			R
Second	1351h	0~59			R
Ma.I2.THD.MIN	1352h		Ma.I2 Minimum total harmonic distortion for current and time stamp		
Year	1353h	2000~2099			R
Month	1354h	1~12			R
Day	1355h	1~31			R
Hour	1356h	0~23			R
Minute	1357h	0~59			R
Second	1358h	0~59			R
Ma.I3.THD.MAX	1359h			Ma.I3 Maximum total harmonic distortion for current and time stamp	
Year	135Ah	2000~2099			R
Month	135Bh	1~12			R
Day	135Ch	1~31			R
Hour	135Dh	0~23			R
Minute	135Eh	0~59			R
Second	135Fh	0~59			R
Ma.I3.THD.MIN	1360h		Ma.I3 Minimum total harmonic distortion for current and time stamp		
Year	1361h	2000~2099			R
Month	1362h	1~12			R
Day	1363h	1~31			R
Hour	1364h	0~23			R
Minute	1365h	0~59			R
Second	1366h	0~59			R
Ma.I.AVG.THD.MAX	1367h			Ma Maximum average total harmonic distortion for current and time stamp	
Year	1368h	2000~2099			R
Month	1369h	1~12			R
Day	136Ah	1~31			R
Hour	136Bh	0~23			R
Minute	136Ch	0~59			R
Second	136Dh	0~59			R

Ma MAX/MIN Values (Function code :03h):

※Reserved: 0

Parameter	Address	Range	Description	Default	Property	
Ma.I.AVG.THD.MIN	136Eh		Ma Minimum average total harmonic distortion for current and time stamp		R	
Year	136Fh	2000~2099			R	
Month	1370h	1~12			R	
Day	1371h	1~31			R	
Hour	1372h	0~23			R	
Minute	1373h	0~59			R	
Second	1374h	0~59			R	
Ma.I1.DM.MAX	1375h	0.000~9999.999A		Ma.I1 Maximum current demand and time stamp		R
	1376h				R	
Year	1377h		2000~2099			R
Month	1378h		1~12			R
Day	1379h		1~31			R
Hour	137Ah		0~23			R
Minute	137Bh		0~59			R
Second	137Ch		0~59			R
Ma.I2.DM.MAX	137Dh	0.000~9999.999A	Ma.I2 Maximum current demand and time stamp		R	
	137Eh				R	
Year	137Fh			2000~2099		R
Month	1380h			1~12		R
Day	1381h			1~31		R
Hour	1382h			0~23		R
Minute	1383h			0~59		R
Second	1384h			0~59		R
Ma.I3.DM.MAX	1385h	0.000~9999.999A	Ma.I3 Maximum current demand and time stamp		R	
	1386h				R	
Year	1387h			2000~2099		R
Month	1388h			1~12		R
Day	1389h			1~31		R
Hour	138Ah			0~23		R
Minute	138Bh			0~59		R
Second	138Ch			0~59		R
Ma.I.AVG.DM.MAX	138Dh	0.000~9999.999A	Ma Maximum average current demand and time stamp		R	
	138Eh				R	
Year	138Fh			2000~2099		R
Month	1390h			1~12		R
Day	1391h			1~31		R
Hour	1392h			0~23		R
Minute	1393h			0~59		R
Second	1394h			0~59		R
Ma.Pt.DM.MAX	1395h	-999999999~999999999W	Ma Maximum total active power demand and time stamp		R	
	1396h				R	
Year	1397h			2000~2099		R
Month	1398h			1~12		R
Day	1399h			1~31		R
Hour	139Ah			0~23		R
Minute	139Bh			0~59		R
Second	139Ch			0~59		R
Ma.Qt.DM.MAX	139Dh	-999999999~999999999VAR	Ma Maximum total reactive power demand and time stamp		R	
	139Eh				R	
Year	139Fh			2000~2099		R
Month	13A0h			1~12		R
Day	13A1h			1~31		R
Hour	13A2h			0~23		R
Minute	13A3h			0~59		R
Second	13A4h			0~59		R

Ma MAX/MIN Values (Function code :03h):

※Reserved: 0

Parameter	Address	Range	Description	Default	Property	
Ma.St.DM.MAX	13A5h	0 ~ 999999999VA	Ma Maximum total apparent power demand and time stamp		R	
	13A6h				R	
Year	13A7h	2000~2099			R	
Month	13A8h	1~12			R	
Day	13A9h	1~31			R	
Hour	13AAh	0~23			R	
Minute	13ABh	0~59			R	
Second	13ACh	0~59			R	
Reserved	13ADh			Reserved		R
Reserved	13AEh			Reserved		R

Parameter	Address	Range	Description	Default	Property
Ba1.I	1400h	0.000~9999.999A	Ba1.I current(High Word)		R
	1401h		Ba1.I current(Low Word)		R
Ba2.I	1402h	0.000~9999.999A	Ba2.I current(High Word)		R
	1403h		Ba2.I current(Low Word)		R
Ba3.I	1404h	0.000~9999.999A	Ba3.I current(High Word)		R
	1405h		Ba3.I current(Low Word)		R
Ba1-3.I	1406h	0.000~9999.999A	Ba1-3.I average current(High Word)		R
	1407h		Ba1-3.I average current(Low Word)		R
Ba1.P	1408h	-999999999~999999999W	Ba1.P active power(High Word)		R
	1409h		Ba1.P active power(Low Word)		R
Ba2.P	140Ah	-999999999~999999999W	Ba2.P active power(High Word)		R
	140Bh		Ba2.P active power(Low Word)		R
Ba3.P	140Ch	-999999999~999999999W	Ba3.P active power(High Word)		R
	140Dh		Ba3.P active power(Low Word)		R
Ba1-3.P	140Eh	-999999999~999999999W	Ba1-3.P. total active power(High Word)		R
	140Fh		Ba1-3.P. total active power(Low Word)		R
Ba1.Q	1410h	-999999999~999999999VAR	Ba1.Q reactive power(High Word)		R
	1411h		Ba1.Q reactive power(Low Word)		R
Ba2.Q	1412h	-999999999~999999999VAR	Ba2.Q reactive power(High Word)		R
	1413h		Ba2.Q reactive power(Low Word)		R
Ba3.Q	1414h	-999999999~999999999VAR	Ba3.Q reactive power(High Word)		R
	1415h		Ba3.Q reactive power(Low Word)		R
Ba1-3.Q	1416h	-999999999~999999999VAR	Ba1-3.Q. total reactive power(High Word)		R
	1417h		Ba1-3.Q. total reactive power(Low Word)		R
Ba1.S	1418h	0~999999999VA	Ba1.S apparent power(High Word)		R
	1419h		Ba1.S apparent power(Low Word)		R
Ba2.S	141Ah	0~999999999VA	Ba2.S apparent power(High Word)		R
	141Bh		Ba2.S apparent power(Low Word)		R
Ba3.S	141Ch	0~999999999VA	Ba3.S apparent power(High Word)		R
	141Dh		Ba3.S apparent power(Low Word)		R
Ba1-3.S	141Eh	0~999999999VA	Ba1-3.S. total apparent power(High Word)		R
	141Fh		Ba1-3.S. total apparent power(Low Word)		R
Ba1.PF	1420h	-0.020~-/+1.000~0.020	Ba1.PFpower factor		R
Ba2.PF	1421h	-0.020~-/+1.000~0.020	Ba2.PFpower factor		R
Ba3.PF	1422h	-0.020~-/+1.000~0.020	Ba3.PFpower factor		R
Ba1-3.PF	1423h	-0.020~-/+1.000~0.020	Ba1-3.PFaverage power factor		R
Ba1.I.DM	1424h	0.000~9999.999A	Ba1.I current demand(High Word)		R
	1425h		Ba1.I current demand(Low Word)		R
Ba2.I.DM	1426h	0.000~9999.999A	Ba2.I current demand(High Word)		R
	1427h		Ba2.I current demand(Low Word)		R
Ba3.I.DM	1428h	0.000~9999.999A	Ba3.I current demand(High Word)		R
	1429h		Ba3.I current demand(Low Word)		R
Ba1-3.I.DM	142Ah	0.000~9999.999A	Ba1-3 average current demand(High Word)		R
	142Bh		Ba1-3 average current demand(Low Word)		R
Ba1.P.DM	142Ch	-999999999 ~ 999999999W	Ba1.P active power demand(High Word)		R
	142Dh		Ba1.P active power demand(Low Word)		R
Ba2.P.DM	142Eh	-999999999 ~ 999999999W	Ba2.P active power demand(High Word)		R
	142Fh		Ba2.P active power demand(Low Word)		R
Ba3.P.DM	1430h	-999999999 ~ 999999999W	Ba3.P active power demand(High Word)		R
	1431h		Ba3.P active power demand(Low Word)		R
Ba1-3.P.DM	1432h	-999999999 ~ 999999999W	Ba1-3.Ptotal active power demand(High Word)		R
	1433h		Ba1-3.Ptotal active power demand(Low Word)		R
Ba1.Q.DM	1434h	-999999999 ~ 999999999VAR	Ba1.Q reactive power demand(High Word)		R
	1435h		Ba1.Q reactive power demand(Low Word)		R
Ba2.Q.DM	1436h	-999999999 ~ 999999999VAR	Ba2.Q reactive power demand(High Word)		R
	1437h		Ba2.Q reactive power demand(Low Word)		R

Ba1-3metering parameters reading (Function code :03 ): ※Reserved : 0

Parameter	Address	Range	Description	Default	Property
Ba3.Q.DM	1438h	-999999999 ~ 999999999VAR	Ba3.Q reactive power demand(High Word)		R
	1439h		Ba1.Q reactive power demand(Low Word)		R
Ba1-3.Q.DM	143Ah	-999999999 ~ 999999999VAR	Ba 1-3.Q total reactive power demand(High Word)		R
	143Bh		Ba 1-3.Q total reactive power demand(Low Word)		R
Ba1.S.DM	143Ch	0 ~ 999999999VA	Ba1.S apparent power demand(High Word)		R
	143Dh		Ba1.S apparent power demand(Low Word)		R
Ba2.S.DM	143Eh	0 ~ 999999999VA	Ba2.S apparent power demand(High Word)		R
	143Fh		Ba2.S apparent power demand(Low Word)		R
Ba3.S.DM	1440h	0 ~ 999999999VA	Ba3.S apparent power demand(High Word)		R
	1441h		Ba3.S apparent power demand(Low Word)		R
Ba1-3.S.DM	1442h	0 ~ 999999999VA	Ba 1-3.S total apparent power demand(High Word)		R
	1443h		Ba 1-3.S total apparent power demand(Low Word)		R
Ba1.AE.Imp	1444h	0.0~999999999.9kWh	Ba1 import active energy(High Word)		R
	1445h		Ba1 import active energy(Low Word)		R
Ba2.AE.Imp	1446h	0.0~999999999.9kWh	Ba2 import active energy(High Word)		R
	1447h		Ba2 import active energy(Low Word)		R
Ba3.AE.Imp	1448h	0.0~999999999.9kWh	Ba3 import active energy(High Word)		R
	1449h		Ba3 import active energy(Low Word)		R
Ba1-3.AE.Imp	144Ah	0.0~999999999.9kWh	Ba1-3 import total active energy(High Word)		R
	144Bh		Ba1-3 import total active energy(Low Word)		R
Ba1.RE.Imp	144Ch	0.0~999999999.9kVARh	Ba1 import reactive energy(High Word)		R
	144Dh		Ba1 import reactive energy(Low Word)		R
Ba2.RE.Imp	144Eh	0.0~999999999.9kVARh	Ba2 import reactive energy(High Word)		R
	144Fh		Ba2 import reactive energy(Low Word)		R
Ba3.RE.Imp	1450h	0.0~999999999.9kVARh	Ba3 import reactive energy(High Word)		R
	1451h		Ba3 import reactive energy(Low Word)		R
Ba1-3.RE.Imp	1452h	0.0~999999999.9kVARh	Ba1-3 import total reactive energy(High Word)		R
	1453h		Ba1-3 import total reactive energy(Low Word)		R
Ba1.SE	1454h	0.0~999999999.9kVAh	Ba1 apparent energy(High Word)		R
	1455h		Ba1 apparent energy(Low Word)		R
Ba2.SE	1456h	0.0~999999999.9kVAh	Ba2 apparent energy(High Word)		R
	1457h		Ba2 apparent energy(Low Word)		R
Ba3.SE	1458h	0.0~999999999.9kVAh	Ba3 apparent energy(High Word)		R
	1459h		Ba3 apparent energy(Low Word)		R
Ba1-3.SE	145Ah	0.0~999999999.9kVAh	Ba1-3 total apparent energy(High Word)		R
	145Bh		Ba1-3 total apparent energy(Low Word)		R
Reserved	145Ch		Reserved		R
Reserved	145Dh		Reserved		R

Ba1-3 THD of current reading( Function code :03h ): ※Reserved : 0

Parameter	Address	Range	Description	Default	Property
Ba1.I.THd	1468h	0.0~100.0%	Ba1.ITHD		R
Ba2.I.THd	1469h	0.0~100.0%	Ba2.ITHD		R
Ba3.I.THd	146Ah	0.0~100.0%	Ba3.ITHD		R
Ba1-3.I.THd	146Bh	0.0~100.0%	Ba1-3.IAVG.THd		R
Reserved	146Ch		Reserved		R
Reserved	146Dh		Reserved		R

Parameter	Address	Range	Description	Default	Property	
Ba1.I.MAX	1478h	0.000~9999.999A	Ba1.I Maximum current	(High Word)	R	
	1479h			(Low Word)	R	
Year	147Ah	2000~2099	Year		R	
Month	147Bh	1~12	Month		R	
Day	147Ch	1~31	Day		R	
Hour	147Dh	0~23	Hour		R	
Minute	147Eh	0~59	Minute		R	
Second	147Fh	0~59	Second		R	
Ba2.I.MAX	1480h	0.000~9999.999A	Ba2.I Maximum current and time stamp		R	
	1481h				R	
Year	1482h	2000~2099			R	
Month	1483h	1~12			R	
Day	1484h	1~31			R	
Hour	1485h	0~23			R	
Minute	1486h	0~59			R	
Second	1487h	0~59			R	
Ba3.I.MAX	1488h	0.000~9999.999A		Ba3.I Maximum current and time stamp		R
	1489h					R
Year	148Ah	2000~2099			R	
Month	148Bh	1~12			R	
Day	148Ch	1~31			R	
Hour	148Dh	0~23			R	
Minute	148Eh	0~59			R	
Second	148Fh	0~59			R	
Ba1-3.I.MAX	1490h	0.000~9999.999A	Ba1-3.I Maximum average current and time stamp		R	
	1491h				R	
Year	1492h	2000~2099			R	
Month	1493h	1~12			R	
Day	1494h	1~31			R	
Hour	1495h	0~23			R	
Minute	1496h	0~59			R	
Second	1497h	0~59			R	
Ba1.P.MAX	1498h	-999999999~999999999W	Ba1.P Maximum active power and time stamp		R	
	1499h				R	
Year	149Ah	2000~2099			R	
Month	149Bh	1~12			R	
Day	149Ch	1~31			R	
Hour	149Dh	0~23			R	
Minute	149Eh	0~59			R	
Second	149Fh	0~59			R	
Ba2.P.MAX	14A0h	-999999999~999999999W	Ba2.P Maximum active power and time stamp		R	
	14A1h				R	
Year	14A2h	2000~2099			R	
Month	14A3h	1~12			R	
Day	14A4h	1~31			R	
Hour	14A5h	0~23			R	
Minute	14A6h	0~59			R	
Second	14A7h	0~59			R	
Ba3.P.MAX	14A8h	-999999999~999999999W	Ba3.P Maximum active power and time stamp		R	
	14A9h				R	
Year	14AAh	2000~2099			R	
Month	14ABh	1~12			R	
Day	14ACh	1~31			R	
Hour	14ADh	0~23			R	
Minute	14AEh	0~59			R	
Second	14AFh	0~59			R	

Parameter	Address	Range	Description	Default	Property	
Ba1-3.P.MAX	14B0h	-999999999~999999999W	Ba1-3.P.SUM Maximum total active power and time stamp		R	
	14B1h				R	
Year	14B2h	2000~2099			R	
Month	14B3h	1~12			R	
Day	14B4h	1~31			R	
Hour	14B5h	0~23			R	
Minute	14B6h	0~59			R	
Second	14B7h	0~59			R	
Ba1.Q.MAX	14B8h	-999999999~999999999VAR		Ba1.Q Maximum reactive power and time stamp		R
	14B9h					R
Year	14BAh	2000~2099			R	
Month	14BBh	1~12			R	
Day	14BCh	1~31			R	
Hour	14BDh	0~23			R	
Minute	14BEh	0~59			R	
Second	14BFh	0~59			R	
Ba2.Q.MAX	14C0h	-999999999~999999999VAR	Ba2.Q Maximum reactive power and time stamp		R	
	14C1h				R	
Year	14C2h	2000~2099			R	
Month	14C3h	1~12			R	
Day	14C4h	1~31			R	
Hour	14C5h	0~23			R	
Minute	14C6h	0~59			R	
Second	14C7h	0~59			R	
Ba3.Q.MAX	14C8h	-999999999~999999999VAR	Ba3.Q Maximum reactive power and time stamp		R	
	14C9h				R	
Year	14CAh	2000~2099			R	
Month	14CBh	1~12			R	
Day	14CCh	1~31			R	
Hour	14CDh	0~23			R	
Minute	14CEh	0~59			R	
Second	14CFh	0~59			R	
Ba1-3.Q.MAX	14D0h	-999999999~999999999VAR	Ba1-3.Q SUM Maximum total reactive power and time stamp		R	
	14D1h				R	
Year	14D2h	2000~2099			R	
Month	14D3h	1~12			R	
Day	14D4h	1~31			R	
Hour	14D5h	0~23			R	
Minute	14D6h	0~59			R	
Second	14D7h	0~59			R	
Ba1.S.MAX	14D8h	0 ~ 999999999VA	Ba1.S Maximum apparent power and time stamp		R	
	14D9h				R	
Year	14DAh	2000~2099			R	
Month	14DBh	1~12			R	
Day	14DCh	1~31			R	
Hour	14DDh	0~23			R	
Minute	14DEh	0~59			R	
Second	14DFh	0~59			R	
Ba2.S.MAX	14E0h	0 ~ 999999999VA	Ba2.S Maximum apparent power and time stamp		R	
	14E1h				R	
Year	14E2h	2000~2099			R	
Month	14E3h	1~12			R	
Day	14E4h	1~31			R	
Hour	14E5h	0~23			R	
Minute	14E6h	0~59			R	
Second	14E7h	0~59			R	



## Ba1-3 MAX Values (Function code :03h):

※Reserved : 0

Parameter	Address	Range	Description	Default	Property	
Ba3.S.MAX	14E8h	0 ~ 999999999VA	Ba3.S Maximum apparent power and time stamp		R	
	14E9h				R	
Year	14EAh	2000~2099			R	
Month	14EBh	1~12			R	
Day	14ECh	1~31			R	
Hour	14EDh	0~23			R	
Minute	14EEh	0~59			R	
Second	14EFh	0~59			R	
Ba1-3.S.MAX	14F0h	0 ~ 999999999VA		Ba1-3.S.SUM Maximum total apparent power and time stamp		R
	14F1h					R
Year	14F2h	2000~2099			R	
Month	14F3h	1~12			R	
Day	14F4h	1~31			R	
Hour	14F5h	0~23			R	
Minute	14F6h	0~59			R	
Second	14F7h	0~59			R	
Ba1.PF.MAX	14F8h	-1.000~1.000	Ba1.PF Maximum power factor and time stamp			R
Year	14F9h	2000~2099				R
Month	14FAh	1~12			R	
Day	14FBh	1~31			R	
Hour	14FCh	0~23			R	
Minute	14FDh	0~59			R	
Second	14FEh	0~59			R	
Ba2.PF.MAX	14FFh	-1.000~1.000	Ba2.PF Maximum power factor and time stamp		R	
Year	1500h	2000~2099			R	
Month	1501h	1~12			R	
Day	1502h	1~31			R	
Hour	1503h	0~23			R	
Minute	1504h	0~59			R	
Second	1505h	0~59			R	
Ba3.PF.MAX	1506h	-1.000~1.000	Ba3.PF Maximum power factor and time stamp		R	
Year	1507h	2000~2099			R	
Month	1508h	1~12			R	
Day	1509h	1~31			R	
Hour	150Ah	0~23			R	
Minute	150Bh	0~59			R	
Second	150Ch	0~59			R	
Ba1-3.PF.MAX	150Dh	-1.000~1.000	Ba1-3.PF Maximum average power factor and time stamp		R	
Year	150Eh	2000~2099			R	
Month	150Fh	1~12			R	
Day	1510h	1~31			R	
Hour	1511h	0~23			R	
Minute	1512h	0~59			R	
Second	1513h	0~59			R	
Ba1.I.TH.D.MAX	1514h		Ba1.I Maximum total harmonic distortion for current and time stamp		R	
Year	1515h	2000~2099			R	
Month	1516h	1~12			R	
Day	1517h	1~31			R	
Hour	1518h	0~23			R	
Minute	1519h	0~59			R	
Second	151Ah	0~59			R	

## Ba1-3 MAX Values (Function code :03h):

※Reserved : 0

Parameter	Address	Range	Description	Default	Property
Ba2.I.THD.MAX	151Bh		Ba2.I Maximum total harmonic distortion for current and time stamp		R
Year	151Ch	2000~2099			R
Month	151Dh	1~12			R
Day	151Eh	1~31			R
Hour	151Fh	0~23			R
Minute	1520h	0~59			R
Second	1521h	0~59			R
Ba3.I.THD.MAX	1522h			Ba3.I Maximum total harmonic distortion for current and time stamp	
Year	1523h	2000~2099			R
Month	1524h	1~12			R
Day	1525h	1~31			R
Hour	1526h	0~23			R
Minute	1527h	0~59			R
Second	1528h	0~59			R
Ba1-3.I.THD.MAX	1529h		Ba1-3.I Maximum average total harmonic distortion for current and time stamp		R
Year	152Ah	2000~2099			R
Month	152Bh	1~12			R
Day	152Ch	1~31			R
Hour	152Dh	0~23			R
Minute	152Eh	0~59			R
Second	152Fh	0~59			R
Ba1.I.DM.MAX	1530h	0.000~9999.999A	Ba1.I Maximum current demand and time stamp		R
	1531h				R
Year	1532h	2000~2099			R
Month	1533h	1~12			R
Day	1534h	1~31			R
Hour	1535h	0~23			R
Minute	1536h	0~59			R
Second	1537h	0~59			R
Ba2.I.DM.MAX	1538h	0.000~9999.999A	Ba2.I Maximum current demand and time stamp		R
	1539h				R
Year	153Ah	2000~2099			R
Month	153Bh	1~12			R
Day	153Ch	1~31			R
Hour	153Dh	0~23			R
Minute	153Eh	0~59			R
Second	153Fh	0~59		R	
Ba3.I.DM.MAX	1540h	0.000~9999.999A	Ba3.I Maximum current demand and time stamp		R
	1541h				R
Year	1542h	2000~2099			R
Month	1543h	1~12			R
Day	1544h	1~31			R
Hour	1545h	0~23			R
Minute	1546h	0~59			R
Second	1547h	0~59		R	
Ba1-3.I.DM.MAX	1548h	0.000~9999.999A	Ba1-3.I Maximum average current demand and time stamp		R
	1549h				R
Year	154Ah	2000~2099			R
Month	154Bh	1~12			R
Day	154Ch	1~31			R
Hour	154Dh	0~23			R
Minute	154Eh	0~59			R
Second	154Fh	0~59		R	

Parameter	Address	Range	Description	Default	Property
Ba1.P.DM.MAX	1550h	-999999999~999999999W	Ba1.P Maximum active power demand and time stamp		R
	1551h				R
Year	1552h	2000~2099			R
Month	1553h	1~12			R
Day	1554h	1~31			R
Hour	1555h	0~23			R
Minute	1556h	0~59			R
Second	1557h	0~59			R
Ba2.P.DM.MAX	1558h	-999999999~999999999W			Ba2.P Maximum active power demand and time stamp
	1559h		R		
Year	155Ah	2000~2099	R		
Month	155Bh	1~12	R		
Day	155Ch	1~31	R		
Hour	155Dh	0~23	R		
Minute	155Eh	0~59	R		
Second	155Fh	0~59	R		
Ba3.P.DM.MAX	1560h	-999999999~999999999W	Ba3.P Maximum active power demand and time stamp		
	1561h				R
Year	1562h	2000~2099			R
Month	1563h	1~12			R
Day	1564h	1~31			R
Hour	1565h	0~23			R
Minute	1566h	0~59			R
Second	1567h	0~59			R
Ba1-3.P.DM.MAX	1568h	-999999999~999999999W			Ba1-3.P Maximum total active power demand and time stamp
	1569h		R		
Year	156Ah	2000~2099	R		
Month	156Bh	1~12	R		
Day	156Ch	1~31	R		
Hour	156Dh	0~23	R		
Minute	156Eh	0~59	R		
Second	156Fh	0~59	R		
Ba1.Q.DM.MAX	1570h	-999999999~999999999VAR	Ba1.Q Maximum reactive power demand and time stamp		
	1571h				R
Year	1572h	2000~2099			R
Month	1573h	1~12			R
Day	1574h	1~31			R
Hour	1575h	0~23			R
Minute	1576h	0~59			R
Second	1577h	0~59			R
Ba2.Q.DM.MAX	1578h	-999999999~999999999VAR			Ba2.Q Maximum reactive power demand and time stamp
	1579h		R		
Year	157Ah	2000~2099	R		
Month	157Bh	1~12	R		
Day	157Ch	1~31	R		
Hour	157Dh	0~23	R		
Minute	157Eh	0~59	R		
Second	157Fh	0~59	R		
Ba3.Q.DM.MAX	1580h	-999999999~999999999VAR	Ba3.Q Maximum reactive power demand and time stamp		
	1581h				R
Year	1582h	2000~2099			R
Month	1583h	1~12			R
Day	1584h	1~31			R
Hour	1585h	0~23			R
Minute	1586h	0~59			R
Second	1587h	0~59			R

## Ba1-3 MAX Values (Function code :03h):

※Reserved : 0

Parameter	Address	Range	Description	Default	Property
Ba1-3.Q.DM.MAX	1588h	-999999999~999999999VAR	Ba1-3.Q Maximum total reactive power demand and time stamp		R
	1589h				R
Year	158Ah	2000~2099			R
Month	158Bh	1~12			R
Day	158Ch	1~31			R
Hour	158Dh	0~23			R
Minute	158Eh	0~59			R
Second	158Fh	0~59			R
Ba1.S.DM.MAX	1590h	-999999999~999999999VA		Ba1.S Maximum apparent power demand and time stamp	
	1591h				R
Year	1592h	2000~2099			R
Month	1593h	1~12			R
Day	1594h	1~31			R
Hour	1595h	0~23			R
Minute	1596h	0~59			R
Second	1597h	0~59			R
Ba2.S.DM.MAX	1598h	-999999999~999999999VA	Ba2.S Maximum apparent power demand and time stamp		
	1599h				R
Year	159Ah	2000~2099			R
Month	159Bh	1~12			R
Day	159Ch	1~31			R
Hour	159Dh	0~23			R
Minute	159Eh	0~59			R
Second	159Fh	0~59			R
Ba3.S.DM.MAX	15A0h	-999999999~999999999VA		Ba3.S Maximum apparent power demand and time stamp	
	15A1h				R
Year	15A2h	2000~2099			R
Month	15A3h	1~12			R
Day	15A4h	1~31			R
Hour	15A5h	0~23			R
Minute	15A6h	0~59			R
Second	15A7h	0~59			R
Ba1-3.S.DM.MAX	15A8h	-999999999~999999999VA	Ba1-3.S Maximum total apparent power demand and time stamp		
	15A9h				R
Year	15AAh	2000~2099			R
Month	15ABh	1~12			R
Day	15ACh	1~31			R
Hour	15ADh	0~23			R
Minute	15AEh	0~59			R
Second	15AFh	0~59			R
Reserved	15B0h			Resvered	
Reserved	15B1h		Resvered		R

Parameter	Address	Range	Description	Default	Property
Ba4.I	1700h	0.000-9999.999A	Ba4.Icurrent(High Word)		R
	1701h		Ba4.Icurrent(Low Word)		R
Ba5.I	1702h	0.000-9999.999A	Ba5.Icurrent(High Word)		R
	1703h		Ba5.Icurrent(Low Word)		R
Ba6.I	1704h	0.000-9999.999A	Ba6.Icurrent(High Word)		R
	1705h		Ba6.Icurrent(Low Word)		R
Ba4-6.I	1706h	0.000-9999.999A	Ba4-6.I average current(High Word)		R
	1707h		Ba4-6.I average current(Low Word)		R
Ba4.P	1708h	-999999999~999999999W	Ba4.Pactive power(High Word)		R
	1709h		Ba4.Pactive power(Low Word)		R
Ba5.P	170Ah	-999999999~999999999W	Ba5.Pactive power(High Word)		R
	170Bh		Ba5.Pactive power(Low Word)		R
Ba6.P	170Ch	-999999999~999999999W	Ba6.P active power(High Word)		R
	170Dh		Ba6.P active power(Low Word)		R
Ba4-6.P	170Eh	-999999999~999999999W	Ba4-6.P. total active power(High Word)		R
	170Fh		Ba4-6.P. total active power(Low Word)		R
Ba4.Q	1710h	-999999999~999999999VAR	Ba4.Q reactive power(High Word)		R
	1711h		Ba4.Q reactive power(Low Word)		R
Ba5.Q	1712h	-999999999~999999999VAR	Ba5.Q reactive power(High Word)		R
	1713h		Ba5.Q reactive power(Low Word)		R
Ba6.Q	1714h	-999999999~999999999VAR	Ba6.Q reactive power(High Word)		R
	1715h		Ba6.Q reactive power(Low Word)		R
Ba4-6.Q	1716h	-999999999~999999999VAR	Ba4-6.Q. total reactive power(High Word)		R
	1717h		Ba4-6.Q. total reactive power(Low Word)		R
Ba4.S	1718h	0~999999999VA	Ba4.S apparent power(High Word)		R
	1719h		Ba4.S apparent power(Low Word)		R
Ba5.S	171Ah	0~999999999VA	Ba5.S apparent power(High Word)		R
	171Bh		Ba5.S apparent power(Low Word)		R
Ba6.S	171Ch	0~999999999VA	Ba6.S apparent power(High Word)		R
	171Dh		Ba6.S apparent power(Low Word)		R
Ba4-6.S	171Eh	0~999999999VA	Ba4-6.S. total apparent power(High Word)		R
	171Fh		Ba4-6.S. total apparent power(Low Word)		R
Ba4.PF	1720h	-0.020~-/+1.000~0.020	Ba4.PF power factor		R
Ba5.PF	1721h	-0.020~-/+1.000~0.020	Ba5.PF power factor		R
Ba6.PF	1722h	-0.020~-/+1.000~0.020	Ba6.PF power factor		R
Ba4-6.PF	1723h	-0.020~-/+1.000~0.020	Ba4-6.PF average power factor		R
Ba4.I.DM	1724h	0.000~9999.999A	Ba4.I current demand(High Word)		R
	1725h		Ba4.I current demand(Low Word)		R
Ba5.I.DM	1726h	0.000~9999.999A	Ba5.I current demand(High Word)		R
	1727h		Ba5.I current demand(Low Word)		R
Ba6.I.DM	1728h	0.000~9999.999A	Ba6.I current demand(High Word)		R
	1729h		Ba6.I current demand(Low Word)		R
Ba4-6.I.DM	172Ah	0.000~9999.999A	Ba4-6 average current demand(High Word)		R
	172Bh		Ba4-6 average current demand(Low Word)		R
Ba4.P.DM	172Ch	-999999999 ~ 999999999W	Ba4.P active power demand(High Word)		R
	172Dh		Ba4.P active power demand(Low Word)		R
Ba5.P.DM	172Eh	-999999999 ~ 999999999W	Ba5.P active power demand(High Word)		R
	172Fh		Ba5.P active power demand(Low Word)		R
Ba6.P.DM	1730h	-999999999 ~ 999999999W	Ba6.P active power demand(High Word)		R
	1731h		Ba6.P active power demand(Low Word)		R
Ba4-6.P.DM	1732h	-999999999 ~ 999999999W	Ba4-6.Ptotal active power demand(High Word)		R
	1733h		Ba4-6.Ptotal active power demand(Low Word)		R
Ba4.Q.DM	1734h	-999999999 ~ 999999999VAR	Ba4.Q reactive power demand(High Word)		R
	1735h		Ba4.Q reactive power demand(Low Word)		R
Ba5.Q.DM	1736h	-999999999 ~ 999999999VAR	Ba5.Q reactive power demand(High Word)		R
	1737h		Ba5.Q reactive power demand(Low Word)		R

Ba4-6metering parameters reading (Function code :03 ): ※Reserved : 0

Parameter	Address	Range	Description	Default	Property
Ba6.Q.DM	1738h	-999999999~999999999VAR	Ba6.Q reactive power demand(High Word)		R
	1739h		Ba4.Q reactive power demand(Low Word)		R
Ba4-6.Q.DM	173Ah	-999999999~999999999VAR	Ba4-6.Qtotal reactive power demand(High Word)		R
	173Bh		Ba4-6.Qtotal reactive power demand(Low Word)		R
Ba4.S.DM	173Ch	0 ~ 999999999VA	Ba4.S apparent power demand(High Word)		R
	173Dh		Ba4.S apparent power demand(Low Word)		R
Ba5.S.DM	173Eh	0 ~ 999999999VA	Ba5.S apparent power demand(High Word)		R
	173Fh		Ba5.S apparent power demand(Low Word)		R
Ba6.S.DM	1740h	0 ~ 999999999VA	Ba6.S apparent power demand(High Word)		R
	1741h		Ba6.S apparent power demand(Low Word)		R
Ba4-6.S.DM	1742h	0 ~ 999999999VA	Ba 4-6.Stotal apparent power demand(High Word)		R
	1743h		Ba 4-6.Stotal apparent power demand(Low Word)		R
Ba4.AE.Imp	1744h	0.0~999999999.9kWh	Ba4 import active energy(High Word)		R
	1745h		Ba4 import active energy(Low Word)		R
Ba5.AE.Imp	1746h	0.0~999999999.9kWh	Ba5 import active energy(High Word)		R
	1747h		Ba5 import active energy(Low Word)		R
Ba6.AE.Imp	1748h	0.0~999999999.9kWh	Ba6 import active energy(High Word)		R
	1749h		Ba6 import active energy(Low Word)		R
Ba4-6.AE.Imp	174Ah	0.0~999999999.9kWh	Ba4-6 import total active energy(High Word)		R
	174Bh		Ba4-6 import total active energy(Low Word)		R
Ba4.RE.Imp	174Ch	0.0~999999999.9kVARh	Ba4 import reactive energy(High Word)		R
	174Dh		Ba4 import reactive energy(Low Word)		R
Ba5.RE.Imp	174Eh	0.0~999999999.9kVARh	Ba5 import reactive energy(High Word)		R
	174Fh		Ba5 import reactive energy(Low Word)		R
Ba6.RE.Imp	1750h	0.0~999999999.9kVARh	Ba6 import reactive energy(High Word)		R
	1751h		Ba6 import reactive energy(Low Word)		R
Ba4-6.RE.Imp	1752h	0.0~999999999.9kVARh	Ba4-6 import total reactive energy(High Word)		R
	1753h		Ba4-6 import total reactive energy(Low Word)		R
Ba4.SE	1754h	0.0~999999999.9kVAh	Ba4 apparent energy(High Word)		R
	1755h		Ba4 apparent energy(Low Word)		R
Ba5.SE	1756h	0.0~999999999.9kVAh	Ba5 apparent energy(High Word)		R
	1757h		Ba5 apparent energy(Low Word)		R
Ba6.SE	1758h	0.0~999999999.9kVAh	Ba6 apparent energy(High Word)		R
	1759h		Ba6 apparent energy(Low Word)		R
Ba4-6.SE	175Ah	0.0~999999999.9kVAh	Ba4-6 total apparent energy(High Word)		R
	175Bh		Ba4-6 total apparent energy(Low Word)		R
Reserved	175Ch		Reserved		R
Reserved	175Dh		Reserved		R

Ba4-6 THD of current reading( Function code :03h ): ※Reserved : 0

Ba4.I.THd	1768h	0.0~100.0%	Ba4.ITHD		R
Ba5.I.THd	1769h	0.0~100.0%	Ba5.ITHD		R
Ba6.I.THd	176Ah	0.0~100.0%	Ba6.ITHD		R
Ba4-6.I.THd	176Bh	0.0~100.0%	Ba4-6.IAVGTHD		R
Reserved	176Ch		Reserved		R
Reserved	176Dh		Reserved		R

Parameter	Address	Range	Description	Default	Property
Ba4.I.MAX	1778h	0.000~9999.999A	Ba4.I Maximum current	(High Word)	R
	1779h			(Low Word)	R
Year	177Ah	2000~2099	Year		R
Month	177Bh	1~12	Month		R
Day	177Ch	1~31	Day		R
Hour	177Dh	0~23	Hour		R
Minute	177Eh	0~59	Minute		R
Second	177Fh	0~59	Second		R
Ba5.I.MAX	1780h	0.000~9999.999A	Ba5.I Maximum current and time stamp		R
	1781h				R
Year	1782h	2000~2099			R
Month	1783h	1~12			R
Day	1784h	1~31			R
Hour	1785h	0~23			R
Minute	1786h	0~59			R
Second	1787h	0~59			R
Ba6.I.MAX	1788h	0.000~9999.999A		Ba6.I Maximum current and time stamp	
	1789h				R
Year	178Ah	2000~2099			R
Month	178Bh	1~12			R
Day	178Ch	1~31			R
Hour	178Dh	0~23			R
Minute	178Eh	0~59			R
Second	178Fh	0~59			R
Ba4-6.I.MAX	1790h	0.000~9999.999A	Ba4-6.I Maximum average current and time stamp		
	1791h				R
Year	1792h	2000~2099			R
Month	1793h	1~12			R
Day	1794h	1~31			R
Hour	1795h	0~23			R
Minute	1796h	0~59			R
Second	1797h	0~59			R
Ba4.P.MAX	1798h	-999999999~999999999W		Ba4.P Maximum active power and time stamp	
	1799h				R
Year	179Ah	2000~2099			R
Month	179Bh	1~12			R
Day	179Ch	1~31			R
Hour	179Dh	0~23			R
Minute	179Eh	0~59			R
Second	179Fh	0~59			R
Ba5.P.MAX	17A0h	-999999999~999999999W	Ba5.P Maximum active power and time stamp		
	17A1h				R
Year	17A2h	2000~2099			R
Month	17A3h	1~12			R
Day	17A4h	1~31			R
Hour	17A5h	0~23			R
Minute	17A6h	0~59			R
Second	17A7h	0~59			R
Ba6.P.MAX	17A8h	-999999999~999999999W		Ba6.P Maximum active power and time stamp	
	17A9h				R
Year	17AAh	2000~2099			R
Month	17ABh	1~12			R
Day	17ACh	1~31			R
Hour	17ADh	0~23			R
Minute	17AEh	0~59			R
Second	17AFh	0~59			R

## Ba4-6 MAX Values (Function code :03h):

※Reserved : 0

Parameter	Address	Range	Description	Default	Property		
Ba4-6.P.MAX	17B0h	-999999999~999999999W	Ba4-6.P.SUM Maximum total active power and time stamp		R		
	17B1h				R		
Year	17B2h	2000~2099			R		
Month	17B3h	1~12			R		
Day	17B4h	1~31			R		
Hour	17B5h	0~23			R		
Minute	17B6h	0~59			R		
Second	17B7h	0~59			R		
Ba4.Q.MAX	17B8h	-999999999~999999999VAR			Ba4.Q Maximum reactive power and time stamp		R
	17B9h						R
Year	17BAh	2000~2099	R				
Month	17BBh	1~12	R				
Day	17BCh	1~31	R				
Hour	17BDh	0~23	R				
Minute	17BEh	0~59	R				
Second	17BFh	0~59	R				
Ba5.Q.MAX	17C0h	-999999999~999999999VAR	Ba5.Q Maximum reactive power and time stamp		R		
	17C1h				R		
Year	17C2h	2000~2099			R		
Month	17C3h	1~12			R		
Day	17C4h	1~31			R		
Hour	17C5h	0~23			R		
Minute	17C6h	0~59			R		
Second	17C7h	0~59			R		
Ba6.Q.MAX	17C8h	-999999999~999999999VAR	Ba6.Q Maximum reactive power and time stamp		R		
	17C9h				R		
Year	17CAh	2000~2099			R		
Month	17CBh	1~12			R		
Day	17CCh	1~31			R		
Hour	17CDh	0~23			R		
Minute	17CEh	0~59			R		
Second	17CFh	0~59			R		
Ba4-6.Q.MAX	17D0h	-999999999~999999999VAR	Ba4-6.Q SUM Maximum total reactive power and time stamp		R		
	17D1h				R		
Year	17D2h	2000~2099			R		
Month	17D3h	1~12			R		
Day	17D4h	1~31			R		
Hour	17D5h	0~23			R		
Minute	17D6h	0~59			R		
Second	17D7h	0~59			R		
Ba4.S.MAX	17D8h	0 ~ 999999999VA	Ba4.S Maximum apparent power and time stamp		R		
	17D9h				R		
Year	17DAh	2000~2099			R		
Month	17DBh	1~12			R		
Day	17DCh	1~31			R		
Hour	17DDh	0~23			R		
Minute	17DEh	0~59			R		
Second	17DFh	0~59			R		
Ba5.S.MAX	17E0h	0 ~ 999999999VA	Ba5.S Maximum apparent power and time stamp		R		
	17E1h				R		
Year	17E2h	2000~2099			R		
Month	17E3h	1~12			R		
Day	17E4h	1~31			R		
Hour	17E5h	0~23			R		
Minute	17E6h	0~59			R		
Second	17E7h	0~59			R		



Parameter	Address	Range	Description	Default	Property
Ba6.S.MAX	17E8h	0 ~ 999999999VA	Ba6.S Maximum apparent power and time stamp		R
	17E9h				R
Year	17EAh	2000~2099			R
Month	17EBh	1~12			R
Day	17ECh	1~31			R
Hour	17EDh	0~23			R
Minute	17EEh	0~59			R
Second	17EFh	0~59			R
Ba4-6.S.MAX	17F0h	0 ~ 999999999VA			Ba4-6.S.SUM Maximum total apparent power and time stamp
	17F1h		R		
Year	17F2h	2000~2099	R		
Month	17F3h	1~12	R		
Day	17F4h	1~31	R		
Hour	17F5h	0~23	R		
Minute	17F6h	0~59	R		
Second	17F7h	0~59	R		
Ba4.PF.MAX	17F8h	-1.000~1.000	Ba4.PF Maximum power factor and time stamp		
Year	17F9h	2000~2099			R
Month	17FAh	1~12			R
Day	17FBh	1~31			R
Hour	17FCh	0~23			R
Minute	17FDh	0~59			R
Second	17FEh	0~59			R
Ba5.PF.MAX	17FFh	-1.000~1.000	Ba5.PF Maximum power factor and time stamp		R
Year	1800h	2000~2099			R
Month	1801h	1~12			R
Day	1802h	1~31			R
Hour	1803h	0~23			R
Minute	1804h	0~59			R
Second	1805h	0~59			R
Ba6.PF.MAX	1806h	-1.000~1.000	Ba6.PF Maximum power factor and time stamp		R
Year	1807h	2000~2099			R
Month	1808h	1~12			R
Day	1809h	1~31			R
Hour	180Ah	0~23			R
Minute	180Bh	0~59			R
Second	180Ch	0~59			R
Ba4-6.PF.MAX	180Dh	-1.000~1.000	Ba4-6.PF Maximum average power factor and time stamp		R
Year	180Eh	2000~2099			R
Month	180Fh	1~12			R
Day	1810h	1~31			R
Hour	1811h	0~23			R
Minute	1812h	0~59			R
Second	1813h	0~59			R
Ba4.I.TH.D.MAX	1814h		Ba4.I Maximum total harmonic distortion for current and time stamp		R
Year	1815h	2000~2099			R
Month	1816h	1~12			R
Day	1817h	1~31			R
Hour	1818h	0~23			R
Minute	1819h	0~59			R
Second	181Ah	0~59			R

## Ba4-6 MAX Values (Function code :03h):

※Reserved : 0

Parameter	Address	Range	Description	Default	Property
Ba5.I.THD.MAX	181Bh		Ba5.I Maximum total harmonic distortion for current and time stamp		R
Year	181Ch	2000~2099			R
Month	181Dh	1~12			R
Day	181Eh	1~31			R
Hour	181Fh	0~23			R
Minute	1820h	0~59			R
Second	1821h	0~59			R
Ba6.I.THD.MAX	1822h			Ba6.I Maximum total harmonic distortion for current and time stamp	
Year	1823h	2000~2099			R
Month	1824h	1~12			R
Day	1825h	1~31			R
Hour	1826h	0~23			R
Minute	1827h	0~59			R
Second	1828h	0~59			R
Ba4-6.I.THD.MAX	1829h		Ba4-6.I Maximum average total harmonic distortion for current and time stamp		R
Year	182Ah	2000~2099			R
Month	182Bh	1~12			R
Day	182Ch	1~31			R
Hour	182Dh	0~23			R
Minute	182Eh	0~59			R
Second	182Fh	0~59			R
Ba4.I.DM.MAX	1830h	0.000~9999.999A	Ba4.I Maximum current demand and time stamp		R
	1831h				R
Year	1832h	2000~2099			R
Month	1833h	1~12			R
Day	1834h	1~31			R
Hour	1835h	0~23			R
Minute	1836h	0~59			R
Second	1837h	0~59			R
Ba5.I.DM.MAX	1838h	0.000~9999.999A	Ba5.I Maximum current demand and time stamp		R
	1839h				R
Year	183Ah	2000~2099			R
Month	183Bh	1~12			R
Day	183Ch	1~31			R
Hour	183Dh	0~23			R
Minute	183Eh	0~59			R
Second	183Fh	0~59		R	
Ba6.I.DM.MAX	1840h	0.000~9999.999A	Ba6.I Maximum current demand and time stamp		R
	1841h				R
Year	1842h	2000~2099			R
Month	1843h	1~12			R
Day	1844h	1~31			R
Hour	1845h	0~23			R
Minute	1846h	0~59			R
Second	1847h	0~59		R	
Ba4-6.I.DM.MAX	1848h	0.000~9999.999A	Ba4-6.I Maximum average current demand and time stamp		R
	1849h				R
Year	184Ah	2000~2099			R
Month	184Bh	1~12			R
Day	184Ch	1~31			R
Hour	184Dh	0~23			R
Minute	184Eh	0~59			R
Second	184Fh	0~59		R	

## Ba4-6 MAX Values (Function code :03h):

※Reserved : 0

Parameter	Address	Range	Description	Default	Property
Ba4.P.DM.MAX	1850h	-999999999~999999999W	Ba4.P Maximum active power demand and time stamp		R
	1851h				R
Year	1852h	2000~2099			R
Month	1853h	1~12			R
Day	1854h	1~31			R
Hour	1855h	0~23			R
Minute	1856h	0~59			R
Second	1857h	0~59			R
Ba5.P.DM.MAX	1858h	-999999999~999999999W			Ba5.P Maximum active power demand and time stamp
	1859h		R		
Year	185Ah	2000~2099	R		
Month	185Bh	1~12	R		
Day	185Ch	1~31	R		
Hour	185Dh	0~23	R		
Minute	185Eh	0~59	R		
Second	185Fh	0~59	R		
Ba6.P.DM.MAX	1860h	-999999999~999999999W	Ba6.P Maximum active power demand and time stamp		
	1861h				R
Year	1862h	2000~2099			R
Month	1863h	1~12			R
Day	1864h	1~31			R
Hour	1865h	0~23			R
Minute	1866h	0~59			R
Second	1867h	0~59			R
Ba4-6.P.DM.MAX	1868h	-999999999~999999999W			Ba4-6.P Maximum total active power demand and time stamp
	1869h		R		
Year	186Ah	2000~2099	R		
Month	186Bh	1~12	R		
Day	186Ch	1~31	R		
Hour	186Dh	0~23	R		
Minute	186Eh	0~59	R		
Second	186Fh	0~59	R		
Ba4.Q.DM.MAX	1870h	-999999999~999999999VAR	Ba4.Q Maximum reactive power demand and time stamp		
	1871h				R
Year	1872h	2000~2099			R
Month	1873h	1~12			R
Day	1874h	1~31			R
Hour	1875h	0~23			R
Minute	1876h	0~59			R
Second	1877h	0~59			R
Ba5.Q.DM.MAX	1878h	-999999999~999999999VAR			Ba5.Q Maximum reactive power demand and time stamp
	1879h		R		
Year	187Ah	2000~2099	R		
Month	187Bh	1~12	R		
Day	187Ch	1~31	R		
Hour	187Dh	0~23	R		
Minute	187Eh	0~59	R		
Second	187Fh	0~59	R		
Ba6.Q.DM.MAX	1880h	-999999999~999999999VAR	Ba6.Q Maximum reactive power demand and time stamp		
	1881h				R
Year	1882h	2000~2099			R
Month	1883h	1~12			R
Day	1884h	1~31			R
Hour	1885h	0~23			R
Minute	1886h	0~59			R
Second	1887h	0~59			R

## Ba4-6 MAX Values (Function code :03h):

※Reserved : 0

Parameter	Address	Range	Description	Default	Property
Ba4-6.Q.DM.MAX	1888h	-999999999~999999999VAR	Ba4-6.Q Maximum total reactive power demand and time stamp		R
	1889h				R
Year	188Ah	2000~2099			R
Month	188Bh	1~12			R
Day	188Ch	1~31			R
Hour	188Dh	0~23			R
Minute	188Eh	0~59			R
Second	188Fh	0~59			R
Ba4.S.DM.MAX	1890h	-999999999~999999999VA	Ba4.S Maximum apparent power demand and time stamp		R
	1891h				R
Year	1892h	2000~2099			R
Month	1893h	1~12			R
Day	1894h	1~31			R
Hour	1895h	0~23			R
Minute	1896h	0~59			R
Second	1897h	0~59			R
Ba5.S.DM.MAX	1898h	-999999999~999999999VA	Ba5.S Maximum apparent power demand and time stamp		R
	1899h				R
Year	189Ah	2000~2099			R
Month	189Bh	1~12			R
Day	189Ch	1~31			R
Hour	189Dh	0~23			R
Minute	189Eh	0~59			R
Second	189Fh	0~59			R
Ba6.S.DM.MAX	18A0h	-999999999~999999999VA	Ba6.S Maximum apparent power demand and time stamp		R
	18A1h				R
Year	18A2h	2000~2099			R
Month	18A3h	1~12			R
Day	18A4h	1~31			R
Hour	18A5h	0~23			R
Minute	18A6h	0~59			R
Second	18A7h	0~59			R
Ba4-6.S.DM.MAX	18A8h	-999999999~999999999VA	Ba4-6.S Maximum total apparent power demand and time stamp		R
	18A9h				R
Year	18AAh	2000~2099			R
Month	18ABh	1~12			R
Day	18ACh	1~31			R
Hour	18ADh	0~23			R
Minute	18AEh	0~59			R
Second	18AFh	0~59			R
Reserved	18B0h		Resvered		R
Reserved	18B1h		Resvered		R

Parameter	Address	Range	Description	Default	Property
Ba7.I	1A00h	0.000-9999.999A	Ba7.Icurrent(High Word)		R
	1A01h		Ba7.Icurrent(Low Word)		R
Ba8.I	1A02h	0.000-9999.999A	Ba8.Icurrent(High Word)		R
	1A03h		Ba8.Icurrent(Low Word)		R
Ba9.I	1A04h	0.000-9999.999A	Ba9.Icurrent(High Word)		R
	1A05h		Ba9.Icurrent(Low Word)		R
Ba7-9.I	1A06h	0.000-9999.999A	Ba7-9.I average current(High Word)		R
	1A07h		Ba7-9.I average current(Low Word)		R
Ba7.P	1A08h	-999999999~999999999W	Ba7.P active power(High Word)		R
	1A09h		Ba7.P active power(Low Word)		R
Ba8.P	1A0Ah	-999999999~999999999W	Ba8.P active power(High Word)		R
	1A0Bh		Ba8.P active power(Low Word)		R
Ba9.P	1A0Ch	-999999999~999999999W	Ba9.P active power(High Word)		R
	1A0Dh		Ba9.P active power(Low Word)		R
Ba7-9.P	1A0Eh	-999999999~999999999W	Ba7-9.P.total active power(High Word)		R
	1A0Fh		Ba7-9.P.total active power(Low Word)		R
Ba7.Q	1A10h	-999999999~999999999VAR	Ba7.Qreactive power(High Word)		R
	1A11h		Ba7.Q reactive power(Low Word)		R
Ba8.Q	1A12h	-999999999~999999999VAR	Ba8.Q reactive power(High Word)		R
	1A13h		Ba8.Q reactive power(Low Word)		R
Ba9.Q	1A14h	-999999999~999999999VAR	Ba9.Q reactive power(High Word)		R
	1A15h		Ba9.Q reactive power(Low Word)		R
Ba7-9.Q	1A16h	-999999999~999999999VAR	Ba7-9.Q. total reactive power(High Word)		R
	1A17h		Ba7-9.Q. total reactive power(Low Word)		R
Ba7.S	1A18h	0~999999999VA	Ba7.S apparent power(High Word)		R
	1A19h		Ba7.S apparent power(Low Word)		R
Ba8.S	1A1Ah	0~999999999VA	Ba8.S apparent power(High Word)		R
	1A1Bh		Ba8.S apparent power(Low Word)		R
Ba9.S	1A1Ch	0~999999999VA	Ba9.S apparent power(High Word)		R
	1A1Dh		Ba9.S apparent power(Low Word)		R
Ba7-9.S	1A1Eh	0~999999999VA	Ba7-9.S.total apparent power(High Word)		R
	1A1Fh		Ba7-9.S.total apparent power(Low Word)		R
Ba7.PF	1A20h	-0.020~-/+1.000~0.020	Ba7.PF power factor		R
Ba8.PF	1A21h	-0.020~-/+1.000~0.020	Ba8.PFpower factor		R
Ba9.PF	1A22h	-0.020~-/+1.000~0.020	Ba9.PFpower factor		R
Ba7-9.PF	1A23h	-0.020~-/+1.000~0.020	Ba7-9.PF average power factor		R
Ba7.I.DM	1A24h	0.000~9999.999A	Ba7.I current demand(High Word)		R
	1A25h		Ba7.I current demand(Low Word)		R
Ba8.I.DM	1A26h	0.000~9999.999A	Ba8.I current demand(High Word)		R
	1A27h		Ba8.I current demand(Low Word)		R
Ba9.I.DM	1A28h	0.000~9999.999A	Ba9.I current demand(High Word)		R
	1A29h		Ba9.I current demand(Low Word)		R
Ba7-9.I.DM	1A2Ah	0.000~9999.999A	Ba7-9 average current demand(High Word)		R
	1A2Bh		Ba7-9 average current demand(Low Word)		R
Ba7.P.DM	1A2Ch	-999999999 ~ 999999999W	Ba7.P active power demand(High Word)		R
	1A2Dh		Ba7.P active power demand(Low Word)		R
Ba8.P.DM	1A2Eh	-999999999 ~ 999999999W	Ba8.P active power demand(High Word)		R
	1A2Fh		Ba8.P active power demand(Low Word)		R
Ba9.P.DM	1A30h	-999999999 ~ 999999999W	Ba9.P active power demand(High Word)		R
	1A31h		Ba9.P active power demand(Low Word)		R
Ba7-9.P.DM	1A32h	-999999999 ~ 999999999W	Ba7-9.Ptotal active power demand(High Word)		R
	1A33h		Ba7-9.Ptotal active power demand(Low Word)		R
Ba7.Q.DM	1A34h	-999999999 ~ 999999999VAR	Ba7.Qreactive power demand(High Word)		R
	1A35h		Ba7.Q reactive power demand(Low Word)		R
Ba8.Q.DM	1A36h	-999999999 ~ 999999999VAR	Ba8.Qreactive power demand(High Word)		R
	1A37h		Ba8.Qreactive power demand(Low Word)		R

Ba7-9metering parameters reading (Function code : 03h) : ※Reserved : 0

Parameter	Address	Range	Description	Default	Property
Ba9.Q.DM	1A38h	-999999999 ~ 999999999VAR	Ba9.Q reactive power demand(High Word)		R
	1A39h		Ba9.Q reactive power demand(Low Word)		R
Ba7-9.Q.DM	1A3Ah	-999999999 ~ 999999999VAR	Ba 7-9.Qtotal reactive power demand(High Word)		R
	1A3Bh		Ba 7-9.Qtotal reactive power demand(Low Word)		R
Ba7.S.DM	1A3Ch	0 ~ 999999999VA	Ba7.Sapparent power demand(High Word)		R
	1A3Dh		Ba7.Sapparent power demand(Low Word)		R
Ba8.S.DM	1A3Eh	0 ~ 999999999VA	Ba8.Sapparent power demand(High Word)		R
	1A3Fh		Ba8.Sapparent power demand(Low Word)		R
Ba9.S.DM	1A40h	0 ~ 999999999VA	Ba9.Sapparent power demand(High Word)		R
	1A41h		Ba9.Sapparent power demand(Low Word)		R
Ba7-9.S.DM	1A42h	0 ~ 999999999VA	Ba 7-9.Stotal apparent power demand(High Word)		R
	1A43h		Ba 7-9.Stotal apparent power demand(Low Word)		R
Ba7.AE.Imp	1A44h	0.0~999999999.9kWh	Ba7 import active energy(High Word)		R
	1A45h		Ba7 import active energy(Low Word)		R
Ba8.AE.Imp	1A46h	0.0~999999999.9kWh	Ba8 import active energy(High Word)		R
	1A47h		Ba8 import active energy(Low Word)		R
Ba9.AE.Imp	1A48h	0.0~999999999.9kWh	Ba9 import active energy(High Word)		R
	1A49h		Ba9 import active energy(Low Word)		R
Ba7-9.AE.Imp	1A4Ah	0.0~999999999.9kWh	Ba7-9import total active energy(High Word)		R
	1A4Bh		Ba7-9import total active energy(Low Word)		R
Ba7.RE.Imp	1A4Ch	0.0~999999999.9kVARh	Ba7import reactive energy(High Word)		R
	1A4Dh		Ba7import reactive energy(Low Word)		R
Ba8.RE.Imp	1A4Eh	0.0~999999999.9kVARh	Ba8import reactive energy(High Word)		R
	1A4Fh		Ba8import reactive energy(Low Word)		R
Ba9.RE.Imp	1A50h	0.0~999999999.9kVARh	Ba9import reactive energy(High Word)		R
	1A51h		Ba9import reactive energy(Low Word)		R
Ba7-9.RE.Imp	1A52h	0.0~999999999.9kVARh	Ba7-9import total reactive energy(High Word)		R
	1A53h		Ba7-9import total reactive energy(Low Word)		R
Ba7.SE	1A54h	0.0~999999999.9kVAh	Ba7apparent energy(High Word)		R
	1A55h		Ba7apparent energy(Low Word)		R
Ba8.SE	1A56h	0.0~999999999.9kVAh	Ba8apparent energy(High Word)		R
	1A57h		Ba8apparent energy(Low Word)		R
Ba9.SE	1A58h	0.0~999999999.9kVAh	Ba9apparent energy(High Word)		R
	1A59h		Ba9apparent energy(Low Word)		R
Ba7-9.SE	1A5Ah	0.0~999999999.9kVAh	Ba7-9total apparent energy(High Word)		R
	1A5Bh		Ba7-9total apparent energy(Low Word)		R
Reserved	1A5Ch		Reserved		R
Reserved	1A5Dh		Reserved		R

Ba7-9 THD of current reading( Function code :03h) : ※Reserved : 0

Parameter	Address	Range	Description	Default	Property
Ba7.I.THd	1A68h	0.0~100.0%	Ba7.I THD		R
Ba8.I.THd	1A69h	0.0~100.0%	Ba8.I THD		R
Ba9.I.THd	1A6Ah	0.0~100.0%	Ba9.I THD		R
Ba7-9.I.THd	1A6Bh	0.0~100.0%	Ba7-9.IAVG.THd		R
Reserved	1A6Ch		Reserved		R
Reserved	1A6Dh		Reserved		R

Parameter	Address	Range	Description	Default	Property
Ba7.I.MAX	1A78h	0.000~9999.999A	Ba7.I Maximum current	(High Word)	R
	1A79h			(Low Word)	R
Year	1A7Ah	2000~2099	Year		R
Month	1A7Bh	1~12	Month		R
Day	1A7Ch	1~31	Day		R
Hour	1A7Dh	0~23	Hour		R
Minute	1A7Eh	0~59	Minute		R
Second	1A7Fh	0~59	Second		R
Ba8.I.MAX	1A80h	0.000~9999.999A	Ba8.I Maximum current and time stamp		R
	1A81h				R
Year	1A82h	2000~2099			R
Month	1A83h	1~12			R
Day	1A84h	1~31			R
Hour	1A85h	0~23			R
Minute	1A86h	0~59			R
Second	1A87h	0~59			R
Ba9.I.MAX	1A88h	0.000~9999.999A		Ba9.I Maximum current and time stamp	
	1A89h				R
Year	1A8Ah	2000~2099			R
Month	1A8Bh	1~12			R
Day	1A8Ch	1~31			R
Hour	1A8Dh	0~23			R
Minute	1A8Eh	0~59			R
Second	1A8Fh	0~59			R
Ba7-9.I.MAX	1A90h	0.000~9999.999A	Ba7-9.I Maximum average current and time stamp		
	1A91h				R
Year	1A92h	2000~2099			R
Month	1A93h	1~12			R
Day	1A94h	1~31			R
Hour	1A95h	0~23			R
Minute	1A96h	0~59			R
Second	1A97h	0~59			R
Ba7.P.MAX	1A98h	-999999999~999999999W	Ba7.P Maximum active power and time stamp		R
	1A99h				R
Year	1A9Ah	2000~2099			R
Month	1A9Bh	1~12			R
Day	1A9Ch	1~31			R
Hour	1A9Dh	0~23			R
Minute	1A9Eh	0~59			R
Second	1A9Fh	0~59			R
Ba8.P.MAX	1AA0h	-999999999~999999999W	Ba8.P Maximum active power and time stamp		R
	1AA1h				R
Year	1AA2h	2000~2099			R
Month	1AA3h	1~12			R
Day	1AA4h	1~31			R
Hour	1AA5h	0~23			R
Minute	1AA6h	0~59			R
Second	1AA7h	0~59			R
Ba9.P.MAX	1AA8h	-999999999~999999999W	Ba9.P Maximum active power and time stamp		R
	1AA9h				R
Year	1AAAh	2000~2099			R
Month	1AABh	1~12			R
Day	1AACH	1~31			R
Hour	1AADh	0~23			R
Minute	1AAEh	0~59			R
Second	1AAFh	0~59			R

Parameter	Address	Range	Description	Default	Property	
Ba7-9.P.MAX	1AB0h	-999999999~999999999W	Ba7-9.P.SUM Maximum total active power and time stamp		R	
	1AB1h				R	
Year	1AB2h	2000~2099			R	
Month	1AB3h	1~12			R	
Day	1AB4h	1~31			R	
Hour	1AB5h	0~23			R	
Minute	1AB6h	0~59			R	
Second	1AB7h	0~59			R	
Ba7.Q.MAX	1AB8h	-999999999~999999999VAR		Ba7.Q Maximum reactive power and time stamp		R
	1AB9h					R
Year	1ABAh	2000~2099			R	
Month	1ABBh	1~12			R	
Day	1ABCh	1~31			R	
Hour	1ABDh	0~23			R	
Minute	1ABEh	0~59			R	
Second	1ABFh	0~59			R	
Ba8.Q.MAX	1AC0h	-999999999~999999999VAR	Ba8.Q Maximum reactive power and time stamp			R
	1AC1h					R
Year	1AC2h	2000~2099			R	
Month	1AC3h	1~12			R	
Day	1AC4h	1~31			R	
Hour	1AC5h	0~23			R	
Minute	1AC6h	0~59			R	
Second	1AC7h	0~59			R	
Ba9.Q.MAX	1AC8h	-999999999~999999999VAR		Ba9.Q Maximum reactive power and time stamp		R
	1AC9h					R
Year	1ACAh	2000~2099			R	
Month	1ACBh	1~12			R	
Day	1ACCh	1~31			R	
Hour	1ACDh	0~23			R	
Minute	1ACEh	0~59			R	
Second	1ACFh	0~59			R	
Ba7-9.Q.MAX	1AD0h	-999999999~999999999VAR	Ba7-9.Q SUM Maximum total reactive power and time stamp			R
	1AD1h					R
Year	1AD2h	2000~2099			R	
Month	1AD3h	1~12			R	
Day	1AD4h	1~31			R	
Hour	1AD5h	0~23			R	
Minute	1AD6h	0~59			R	
Second	1AD7h	0~59			R	
Ba7.S.MAX	1AD8h	0 ~ 999999999VA		Ba7.S Maximum apparent power and time stamp		R
	1AD9h					R
Year	1ADAh	2000~2099			R	
Month	1ADBh	1~12			R	
Day	1ADCh	1~31			R	
Hour	1AD Dh	0~23			R	
Minute	1AD E h	0~59			R	
Second	1AD F h	0~59			R	
Ba8.S.MAX	1AE0h	0 ~ 999999999VA	Ba8.S Maximum apparent power and time stamp			R
	1AE1h					R
Year	1AE2h	2000~2099			R	
Month	1AE3h	1~12			R	
Day	1AE4h	1~31			R	
Hour	1AE5h	0~23			R	
Minute	1AE6h	0~59			R	
Second	1AE7h	0~59			R	



Parameter	Address	Range	Description	Default	Property	
Ba9.S.MAX	1AE8h	0 ~ 999999999VA	Ba9.S Maximum apparent power and time stamp		R	
	1AE9h				R	
Year	1AEA h	2000~2099			R	
Month	1AEB h	1~12			R	
Day	1AEC h	1~31			R	
Hour	1AED h	0~23			R	
Minute	1AEE h	0~59			R	
Second	1AEF h	0~59			R	
Ba7-9.S.MAX	1AF0h	0 ~ 999999999VA			Ba7-9.S.SUM Maximum total apparent power and time stamp	
	1AF1h		R			
Year	1AF2 h	2000~2099	R			
Month	1AF3 h	1~12	R			
Day	1AF4 h	1~31	R			
Hour	1AF5 h	0~23	R			
Minute	1AF6 h	0~59	R			
Second	1AF7 h	0~59	R			
Ba7.PF.MAX	1AF8h	-1.000~1.000	Ba7.PF Maximum power factor and time stamp			
Year	1AF9 h	2000~2099			R	
Month	1AFA h	1~12			R	
Day	1AFB h	1~31			R	
Hour	1AFC h	0~23			R	
Minute	1AFD h	0~59			R	
Second	1AFE h	0~59	R			
Ba8.PF.MAX	1AFFh	-1.000~1.000	Ba8.PF Maximum power factor and time stamp		R	
Year	1B00 h	2000~2099			R	
Month	1B01 h	1~12			R	
Day	1B02 h	1~31			R	
Hour	1B03 h	0~23			R	
Minute	1B04 h	0~59			R	
Second	1B05 h	0~59	R			
Ba9.PF.MAX	1B06h	-1.000~1.000	Ba9.PF Maximum power factor and time stamp		R	
Year	1B07 h	2000~2099			R	
Month	1B08 h	1~12			R	
Day	1B09 h	1~31			R	
Hour	1B0A h	0~23			R	
Minute	1B0B h	0~59			R	
Second	1B0C h	0~59	R			
Ba7-9.PF.MAX	1B0Dh	-1.000~1.000	Ba7-9.PF Maximum average power factor and time stamp		R	
Year	1B0E h	2000~2099			R	
Month	1B0F h	1~12			R	
Day	1B10 h	1~31			R	
Hour	1B11 h	0~23			R	
Minute	1B12 h	0~59			R	
Second	1B13 h	0~59	R			
Ba7.I.THD.MAX	1B14h	2000~2099	Ba7.I Maximum total harmonic distortion for current and time stamp		R	
Year	1B15 h				R	
Month	1B16 h				1~12	R
Day	1B17 h				1~31	R
Hour	1B18 h				0~23	R
Minute	1B19 h				0~59	R
Second	1B1A h	0~59	R			

Parameter	Address	Range	Description	Default	Property
Ba8.I.THD.MAX	1B1Bh		Ba8.I Maximum total harmonic distortion for current and time stamp		R
Year	1B1Ch	2000~2099			R
Month	1B1Dh	1~12			R
Day	1B1Eh	1~31			R
Hour	1B1Fh	0~23			R
Minute	1B20h	0~59			R
Second	1B21h	0~59			R
Ba9.I.THD.MAX	1B22h			Ba9.I Maximum total harmonic distortion for current and time stamp	
Year	1B23h	2000~2099			R
Month	1B24h	1~12			R
Day	1B25h	1~31			R
Hour	1B26h	0~23			R
Minute	1B27h	0~59			R
Second	1B28h	0~59			R
Ba7-9.I.THD.MAX	1B29h		Ba7-9.I Maximum average total harmonic distortion for current and time stamp		R
Year	1B2Ah	2000~2099			R
Month	1B2Bh	1~12			R
Day	1B2Ch	1~31			R
Hour	1B2Dh	0~23			R
Minute	1B2Eh	0~59			R
Second	1B2Fh	0~59			R
Ba7.I.DM.MAX	1B30h	0.000~9999.999A	Ba7.I Maximum current demand and time stamp		R
	1B31h				R
Year	1B32h	2000~2099			R
Month	1B33h	1~12			R
Day	1B34h	1~31			R
Hour	1B35h	0~23			R
Minute	1B36h	0~59			R
Second	1B37h	0~59			R
Ba8.I.DM.MAX	1B38h	0.000~9999.999A	Ba8.I Maximum current demand and time stamp		R
	1B39h				R
Year	1B3Ah	2000~2099			R
Month	1B3Bh	1~12			R
Day	1B3Ch	1~31			R
Hour	1B3Dh	0~23			R
Minute	1B3Eh	0~59			R
Second	1B3Fh	0~59			R
Ba9.I.DM.MAX	1B40h	0.000~9999.999A	Ba9.I Maximum current demand and time stamp		R
	1B41h				R
Year	1B42h	2000~2099			R
Month	1B43h	1~12			R
Day	1B44h	1~31			R
Hour	1B45h	0~23			R
Minute	1B46h	0~59			R
Second	1B47h	0~59			R
Ba7-9.I.DM.MAX	1B48h	0.000~9999.999A	Ba7-9.I Maximum average current demand and time stamp		R
	1B49h				R
Year	1B4Ah	2000~2099			R
Month	1B4Bh	1~12			R
Day	1B4Ch	1~31			R
Hour	1B4Dh	0~23			R
Minute	1B4Eh	0~59			R
Second	1B4Fh	0~59			R

Parameter	Address	Range	Description	Default	Property		
Ba7.P.DM.MAX	1B50h	-999999999~999999999W	Ba7.P Maximum active power demand and time stamp		R		
	1B51h				R		
Year	1B52h	2000~2099			R		
Month	1B53h	1~12			R		
Day	1B54h	1~31			R		
Hour	1B55h	0~23			R		
Minute	1B56h	0~59			R		
Second	1B57h	0~59			R		
Ba8.P.DM.MAX	1B58h	-999999999~999999999W			Ba8.P Maximum active power demand and time stamp		R
	1B59h						R
Year	1B5Ah	2000~2099	R				
Month	1B5Bh	1~12	R				
Day	1B5Ch	1~31	R				
Hour	1B5Dh	0~23	R				
Minute	1B5Eh	0~59	R				
Second	1B5Fh	0~59	R				
Ba9.P.DM.MAX	1B60h	-999999999~999999999W	Ba9.P Maximum active power demand and time stamp		R		
	1B61h				R		
Year	1B62h	2000~2099			R		
Month	1B63h	1~12			R		
Day	1B64h	1~31			R		
Hour	1B65h	0~23			R		
Minute	1B66h	0~59			R		
Second	1B67h	0~59			R		
Ba7-9.P.DM.MAX	1B68h	-999999999~999999999W	Ba7-9.P Maximum total active power demand and time stamp		R		
	1B69h				R		
Year	1B6Ah	2000~2099			R		
Month	1B6Bh	1~12			R		
Day	1B6Ch	1~31			R		
Hour	1B6Dh	0~23			R		
Minute	1B6Eh	0~59			R		
Second	1B6Fh	0~59			R		
Ba7.Q.DM.MAX	1B70h	-999999999~999999999VAR	Ba7.Q Maximum reactive power demand and time stamp		R		
	1B71h				R		
Year	1B72h	2000~2099			R		
Month	1B73h	1~12			R		
Day	1B74h	1~31			R		
Hour	1B75h	0~23			R		
Minute	1B76h	0~59			R		
Second	1B77h	0~59			R		
Ba8.Q.DM.MAX	1B78h	-999999999~999999999VAR	Ba8.Q Maximum reactive power demand and time stamp		R		
	1B79h				R		
Year	1B7Ah	2000~2099			R		
Month	1B7Bh	1~12			R		
Day	1B7Ch	1~31			R		
Hour	1B7Dh	0~23			R		
Minute	1B7Eh	0~59			R		
Second	1B7Fh	0~59			R		
Ba9.Q.DM.MAX	1B80h	-999999999~999999999VAR	Ba9.Q Maximum reactive power demand and time stamp		R		
	1B81h				R		
Year	1B82h	2000~2099			R		
Month	1B83h	1~12			R		
Day	1B84h	1~31			R		
Hour	1B85h	0~23			R		
Minute	1B86h	0~59			R		
Second	1B87h	0~59			R		

## Ba7-9MAX Values (Function code :03h):

※Reserved : 0

Parameter	Address	Range	Description	Default	Property
Ba7-9.Q.DM.MAX	1B88h	-999999999~999999999VAR	Ba7-9.Q Maximum total reactive power demand and time stamp		R
	1B89h				R
Year	1B8Ah	2000~2099			R
Month	1B8Bh	1~12			R
Day	1B8Ch	1~31			R
Hour	1B8Dh	0~23			R
Minute	1B8Eh	0~59			R
Second	1B8Fh	0~59			R
Ba7.S.DM.MAX	1B90h	-999999999~999999999VA		Ba7.S Maximum apparent power demand and time stamp	
	1B91h				R
Year	1B92h	2000~2099			R
Month	1B93h	1~12			R
Day	1B94h	1~31			R
Hour	1B95h	0~23			R
Minute	1B96h	0~59			R
Second	1B97h	0~59			R
Ba8.S.DM.MAX	1B98h	-999999999~999999999VA	Ba8.S Maximum apparent power demand and time stamp		
	1B99h				R
Year	1B9Ah	2000~2099			R
Month	1B9Bh	1~12			R
Day	1B9Ch	1~31			R
Hour	1B9Dh	0~23			R
Minute	1B9Eh	0~59			R
Second	1B9Fh	0~59			R
Ba9.S.DM.MAX	1BA0h	-999999999~999999999VA		Ba9.S Maximum apparent power demand and time stamp	
	1BA1h				R
Year	1BA2h	2000~2099			R
Month	1BA3h	1~12			R
Day	1BA4h	1~31			R
Hour	1BA5h	0~23			R
Minute	1BA6h	0~59			R
Second	1BA7h	0~59			R
Ba7-9.S.DM.MAX	1BA8h	-999999999~999999999VA	Ba7-9.S Maximum total apparent power demand and time stamp		
	1BA9h				R
Year	1BAAh	2000~2099			R
Month	1BABh	1~12			R
Day	1BACH	1~31			R
Hour	1BADh	0~23			R
Minute	1BAEh	0~59			R
Second	1BAFh	0~59			R
Reserved	1BB0h			Resvered	
Reserved	1BB1h		Resvered		R

Parameter	Address	Range	Description	Default	Property
Ba10.I	1D00h	0.000~9999.999A	Ba10.Icurrent(High Word)		R
	1D01h		Ba10.Icurrent(Low Word)		R
Ba11.I	1D02h	0.000~9999.999A	Ba11.Icurrent(High Word)		R
	1D03h		Ba11.Icurrent(Low Word)		R
Ba12.I	1D04h	0.000~9999.999A	Ba12.Icurrent(High Word)		R
	1D05h		Ba12.Icurrent(Low Word)		R
Ba10-12.I	1D06h	0.000~9999.999A	Ba10-12I average current(High Word)		R
	1D07h		Ba10-12I average current(Low Word)		R
Ba10.P	1D08h	-999999999~999999999W	Ba10.Pactive power(High Word)		R
	1D09h		Ba10.P active power(Low Word)		R
Ba11.P	1D0Ah	-999999999~999999999W	Ba11.P active power(High Word)		R
	1D0Bh		Ba11.P active power(Low Word)		R
Ba12.P	1D0Ch	-999999999~999999999W	Ba12.P active power(High Word)		R
	1D0Dh		Ba12.P active power(Low Word)		R
Ba10-12.P	1D0Eh	-999999999~999999999W	Ba10-12P. total active power(High Word)		R
	1D0Fh		Ba10-12P. total active power(Low Word)		R
Ba10.Q	1D10h	-999999999~999999999VAR	Ba10.Q reactive power(High Word)		R
	1D11h		Ba10.Q reactive power(Low Word)		R
Ba11.Q	1D12h	-999999999~999999999VAR	Ba11.Q reactive power(High Word)		R
	1D13h		Ba11.Q reactive power(Low Word)		R
Ba12.Q	1D14h	-999999999~999999999VAR	Ba12.Q reactive power(High Word)		R
	1D15h		Ba12.Q reactive power(Low Word)		R
Ba10-12.Q	1D16h	-999999999~999999999VAR	Ba10-12Q.total reactive power(High Word)		R
	1D17h		Ba10-12Q. total reactive power(Low Word)		R
Ba10.S	1D18h	0~999999999VA	Ba10.Sapparent power(High Word)		R
	1D19h		Ba10.S apparent power(Low Word)		R
Ba11.S	1D1Ah	0~999999999VA	Ba11.Sapparent power(High Word)		R
	1D1Bh		Ba11.S apparent power(Low Word)		R
Ba12.S	1D1Ch	0~999999999VA	Ba12.Sapparent power(High Word)		R
	1D1Dh		Ba12.S apparent power(Low Word)		R
Ba10-12.S	1D1Eh	0~999999999VA	Ba10-12S.total apparent power(High Word)		R
	1D1Fh		Ba10-12S. total apparent power(Low Word)		R
Ba10.PF	1D20h	-0.020~-/+1.000~0.020	Ba10.PF power factor		R
Ba11.PF	1D21h	-0.020~-/+1.000~0.020	Ba11.PF power factor		R
Ba12.PF	1D22h	-0.020~-/+1.000~0.020	Ba12.PF power factor		R
Ba10-12.PF	1D23h	-0.020~-/+1.000~0.020	Ba10-12PF average power factor		R
Ba10.I.DM	1D24h	0.000~9999.999A	Ba10.I current demand(High Word)		R
	1D25h		Ba10.I current demand(Low Word)		R
Ba11.I.DM	1D26h	0.000~9999.999A	Ba11.I current demand(High Word)		R
	1D27h		Ba11.I current demand(Low Word)		R
Ba12.I.DM	1D28h	0.000~9999.999A	Ba12.I current demand(High Word)		R
	1D29h		Ba12.I current demand(Low Word)		R
Ba10-12.I.DM	1D2Ah	0.000~9999.999A	Ba10-12 average current demand(High Word)		R
	1D2Bh		Ba10-12average current demand(Low Word)		R
Ba10.P.DM	1D2Ch	-999999999 ~ 999999999W	Ba10.P active power demand(High Word)		R
	1D2Dh		Ba10.P active power demand(Low Word)		R
Ba11.P.DM	1D2Eh	-999999999 ~ 999999999W	Ba11.P active power demand(High Word)		R
	1D2Fh		Ba11.P active power demand(Low Word)		R
Ba12.P.DM	1D30h	-999999999 ~ 999999999W	Ba12.P active power demand(High Word)		R
	1D31h		Ba12.P active power demand(Low Word)		R
Ba10-12.P.DM	1D32h	-999999999 ~ 999999999W	Ba10-12.P total active power demand(High Word)		R
	1D33h		Ba10-12.P total active power demand(Low Word)		R
Ba10.Q.DM	1D34h	-999999999~999999999VAR	Ba10.Q reactive power demand(High Word)		R
	1D35h		Ba10.Q reactive power demand(Low Word)		R
Ba11.Q.DM	1D36h	-999999999~999999999VAR	Ba11.Q reactive power demand(High Word)		R
	1D37h		Ba11.Q reactive power demand(Low Word)		R

Ba10-12metering parameters reading (Function code : 03h) : ※Reserved : 0

Parameter	Address	Range	Description	Default	Property
Ba12.Q.DM	1D38h	-999999999~999999999VAR	Ba12Q reactive power demand(High Word)		R
	1D39h		Ba12Q reactive power demand(Low Word)		R
Ba10-12.Q.DM	1D3Ah	-999999999~999999999VAR	Ba10-12 .Q total reactive power demand(High Word)		R
	1D3Bh		Ba10-12 .Qtotat reactive power demand(Low Word)		R
Ba10.S.DM	1D3Ch	0 ~999999999VA	Ba10.Sapparent power demand(High Word)		R
	1D3Dh		Ba10.Sapparent power demand(Low Word)		R
Ba11.S.DM	1D3Eh	0 ~999999999VA	Ba11.Sapparent power demand(High Word)		R
	1D3Fh		Ba11.Sapparent power demand(Low Word)		R
Ba12.S.DM	1D40h	0 ~999999999VA	Ba12.Sapparent power demand(High Word)		R
	1D41h		Ba12.Sapparent power demand(Low Word)		R
Ba10-12.S.DM	1D42h	0 ~999999999VA	Ba10-12 .Stotal apparent power demand(High Word)		R
	1D43h		Ba10-12 .Stotal apparent power demand(Low Word)		R
Ba10.AE.Imp	1D44h	0.0~999999999.9kWh	Ba10import active energy(High Word)		R
	1D45h		Ba10import active energy(Low Word)		R
Ba11.AE.Imp	1D46h	0.0~999999999.9kWh	Ba11import active energy(High Word)		R
	1D47h		Ba11import active energy(Low Word)		R
Ba12.AE.Imp	1D48h	0.0~999999999.9kWh	Ba12import active energy(High Word)		R
	1D49h		Ba12import active energy(Low Word)		R
Ba10-12.AE.Imp	1D4Ah	0.0~999999999.9kWh	Ba10-12import total active energy(High Word)		R
	1D4Bh		Ba10-12import total active energy(Low Word)		R
Ba10.RE.Imp	1D4Ch	0.0~999999999.9kVARh	Ba10 import reactive energy(High Word)		R
	1D4Dh		Ba10 import reactive energy(Low Word)		R
Ba11.RE.Imp	1D4Eh	0.0~999999999.9kVARh	Ba11 import reactive energy(High Word)		R
	1D4Fh		Ba11 import reactive energy(Low Word)		R
Ba12.RE.Imp	1D50h	0.0~999999999.9kVARh	Ba12 import reactive energy(High Word)		R
	1D51h		Ba12 import reactive energy(Low Word)		R
Ba10-12.RE.Imp	1D52h	0.0~999999999.9kVARh	Ba10-12import total reactive energy(High Word)		R
	1D53h		Ba10-12 import total reactive energy(Low Word)		R
Ba10.SE	1D54h	0.0~999999999.9kVAh	Ba10 apparent energy(High Word)		R
	1D55h		Ba10 apparent energy(Low Word)		R
Ba11.SE	1D56h	0.0~999999999.9kVAh	Ba11 apparent energy(High Word)		R
	1D57h		Ba11 apparent energy(Low Word)		R
Ba12.SE	1D58h	0.0~999999999.9kVAh	Ba12 apparent energy(High Word)		R
	1D59h		Ba12 apparent energy(Low Word)		R
Ba10-12.SE	1D5Ah	0.0~999999999.9kVAh	Ba10-12 total apparent energy(High Word)		R
	1D5Bh		Ba10-12 total apparent energy(Low Word)		R
Reserved	1D5Ch		Reserved		R
Reserved	1D5Dh		Reserved		R

Ba10-12 THD of current reading ( Function code :03h) : ※Reserved : 0

Parameter	Address	Range	Description	Default	Property
Ba10.I.THd	1D68h	0.0~100.0%	Ba10.ITHD		R
Ba11.I.THd	1D69h	0.0~100.0%	Ba11.ITHD		R
Ba12.I.THd	1D6Ah	0.0~100.0%	Ba12.ITHD		R
Ba10-12.I.THd	1D6Bh	0.0~100.0%	Ba10-12IAVG.THd		R
Reserved	1D6Ch		Reserved		R
Reserved	1D6Dh		Reserved		R

Parameter	Address	Range	Description	Default	Property	
Ba10.I.MAX	1D78h	0.000~9999.999A	Ba10.I Maximum current	(High Word)	R	
	1D79h			(Low Word)	R	
Year	1D7Ah	2000~2099	Year		R	
Month	1D7Bh	1~12	Month		R	
Day	1D7Ch	1~31	Day		R	
Hour	1D7Dh	0~23	Hour		R	
Minute	1D7Eh	0~59	Minute		R	
Second	1D7Fh	0~59	Second		R	
Ba11.I.MAX	1D80h	0.000~9999.999A	Ba11.I Maximum current and time stamp		R	
	1D81h				R	
Year	1D82h	2000~2099			R	
Month	1D83h	1~12			R	
Day	1D84h	1~31			R	
Hour	1D85h	0~23			R	
Minute	1D86h	0~59			R	
Second	1D87h	0~59			R	
Ba12.I.MAX	1D88h	0.000~9999.999A		Ba12.I Maximum current and time stamp		R
	1D89h					R
Year	1D8Ah	2000~2099			R	
Month	1D8Bh	1~12			R	
Day	1D8Ch	1~31			R	
Hour	1D8Dh	0~23			R	
Minute	1D8Eh	0~59			R	
Second	1D8Fh	0~59			R	
Ba10-12.I.MAX	1D90h	0.000~9999.999A	Ba10-12.I Maximum average current and time stamp		R	
	1D91h				R	
Year	1D92h	2000~2099			R	
Month	1D93h	1~12			R	
Day	1D94h	1~31			R	
Hour	1D95h	0~23			R	
Minute	1D96h	0~59			R	
Second	1D97h	0~59			R	
Ba10.P.MAX	1D98h	-999999999~999999999W	Ba10.P Maximum active power and time stamp		R	
	1D99h				R	
Year	1D9Ah	2000~2099			R	
Month	1D9Bh	1~12			R	
Day	1D9Ch	1~31			R	
Hour	1D9Dh	0~23			R	
Minute	1D9Eh	0~59			R	
Second	1D9Fh	0~59			R	
Ba11.P.MAX	1DA0h	-999999999~999999999W	Ba11.P Maximum active power and time stamp		R	
	1DA1h				R	
Year	1DA2h	2000~2099			R	
Month	1DA3h	1~12			R	
Day	1DA4h	1~31			R	
Hour	1DA5h	0~23			R	
Minute	1DA6h	0~59			R	
Second	1DA7h	0~59			R	
Ba12.P.MAX	1DA8h	-999999999~999999999W	Ba12.P Maximum active power and time stamp		R	
	1DA9h				R	
Year	1DAAh	2000~2099			R	
Month	1DABh	1~12			R	
Day	1DACH	1~31			R	
Hour	1DADh	0~23			R	
Minute	1DAEh	0~59			R	
Second	1DAFh	0~59			R	

Parameter	Address	Range	Description	Default	Property		
Ba10-12.P.MAX	1DB0h	-999999999~999999999W	Ba10-12.P.SUM Maximum total active power and time stamp		R		
	1DB1h				R		
Year	1DB2h	2000~2099			R		
Month	1DB3h	1~12			R		
Day	1DB4h	1~31			R		
Hour	1DB5h	0~23			R		
Minute	1DB6h	0~59			R		
Second	1DB7h	0~59			R		
Ba10.Q.MAX	1DB8h	-999999999~999999999VAR			Ba10.Q Maximum reactive power and time stamp		R
	1DB9h						R
Year	1DBAh	2000~2099	R				
Month	1DBBh	1~12	R				
Day	1DBCh	1~31	R				
Hour	1DBDh	0~23	R				
Minute	1DBEh	0~59	R				
Second	1DBFh	0~59	R				
Ba11.Q.MAX	1DC0h	-999999999~999999999VAR	Ba11.Q Maximum reactive power and time stamp				R
	1DC1h						R
Year	1DC2h	2000~2099			R		
Month	1DC3h	1~12			R		
Day	1DC4h	1~31			R		
Hour	1DC5h	0~23			R		
Minute	1DC6h	0~59			R		
Second	1DC7h	0~59			R		
Ba12.Q.MAX	1DC8h	-999999999~999999999VAR			Ba12.Q Maximum reactive power and time stamp		R
	1DC9h						R
Year	1DCAh	2000~2099	R				
Month	1DCBh	1~12	R				
Day	1DCCh	1~31	R				
Hour	1DCDh	0~23	R				
Minute	1DCEh	0~59	R				
Second	1DCFh	0~59	R				
Ba10-12.Q.MAX	1DD0h	-999999999~999999999VAR	Ba10-12.Q SUM Maximum total reactive power and time stamp				R
	1DD1h						R
Year	1DD2h	2000~2099			R		
Month	1DD3h	1~12			R		
Day	1DD4h	1~31			R		
Hour	1DD5h	0~23			R		
Minute	1DD6h	0~59			R		
Second	1DD7h	0~59			R		
Ba10.S.MAX	1DD8h	0 ~ 999999999VA			Ba10.S Maximum apparent power and time stamp		R
	1DD9h						R
Year	1DDAh	2000~2099	R				
Month	1DDBh	1~12	R				
Day	1DDCh	1~31	R				
Hour	1DDDh	0~23	R				
Minute	1DDEh	0~59	R				
Second	1DDFh	0~59	R				
Ba11.S.MAX	1DE0h	0 ~ 999999999VA	Ba11.S Maximum apparent power and time stamp				R
	1DE1h						R
Year	1DE2h	2000~2099			R		
Month	1DE3h	1~12			R		
Day	1DE4h	1~31			R		
Hour	1DE5h	0~23			R		
Minute	1DE6h	0~59			R		
Second	1DE7h	0~59			R		



Parameter	Address	Range	Description	Default	Property	
Ba12.S.MAX	1DE8h	0 ~ 999999999VA	Ba12.S Maximum apparent power and time stamp		R	
	1DE9h				R	
Year	1DEAh	2000~2099			R	
Month	1DEBh	1~12			R	
Day	1DECh	1~31			R	
Hour	1DEDh	0~23			R	
Minute	1DEEh	0~59			R	
Second	1DEFh	0~59			R	
Ba10-12.S.MAX	1DF0h	0 ~ 999999999VA		Ba10-12.S.SUM Maximum total apparent power and time stamp		R
	1DF1h					R
Year	1DF2h	2000~2099			R	
Month	1DF3h	1~12			R	
Day	1DF4h	1~31			R	
Hour	1DF5h	0~23			R	
Minute	1DF6h	0~59			R	
Second	1DF7h	0~59			R	
Ba10.PF.MAX	1DF8h	-1.000~1.000	Ba10.PF Maximum power factor and time stamp		R	
Year	1DF9h	2000~2099			R	
Month	1DFAh	1~12			R	
Day	1DFBh	1~31			R	
Hour	1DFCh	0~23			R	
Minute	1DFDh	0~59			R	
Second	1DFEh	0~59			R	
Ba11.PF.MAX	1DFFh	-1.000~1.000	Ba11.PF Maximum power factor and time stamp		R	
Year	1E00h	2000~2099			R	
Month	1E01h	1~12			R	
Day	1E02h	1~31			R	
Hour	1E03h	0~23			R	
Minute	1E04h	0~59			R	
Second	1E05h	0~59		R		
Ba12.PF.MAX	1E06h	-1.000~1.000	Ba12.PF Maximum power factor and time stamp		R	
Year	1E07h	2000~2099			R	
Month	1E08h	1~12			R	
Day	1E09h	1~31			R	
Hour	1E0Ah	0~23			R	
Minute	1E0Bh	0~59			R	
Second	1E0Ch	0~59		R		
Ba10-12.PF.MAX	1E0Dh	-1.000~1.000	Ba10-12.PF Maximum average power factor and time stamp		R	
Year	1E0Eh	2000~2099			R	
Month	1E0Fh	1~12			R	
Day	1E10h	1~31			R	
Hour	1E11h	0~23			R	
Minute	1E12h	0~59			R	
Second	1E13h	0~59		R		
Ba10.I.TH.D.MAX	1E14h		Ba10.I Maximum total harmonic distortion for current and time stamp		R	
Year	1E15h	2000~2099			R	
Month	1E16h	1~12			R	
Day	1E17h	1~31			R	
Hour	1E18h	0~23			R	
Minute	1E19h	0~59			R	
Second	1E1Ah	0~59		R		

## Ba10-12MAX Values (Function code :03h):

※Reserved : 0

Parameter	Address	Range	Description	Default	Property	
Ba11.I.THD.MAX	1E1Bh		Ba11.I Maximum total harmonic distortion for current and time stamp		R	
Year	1E1Ch	2000~2099			R	
Month	1E1Dh	1~12			R	
Day	1E1Eh	1~31			R	
Hour	1E1Fh	0~23			R	
Minute	1E20h	0~59			R	
Second	1E21h	0~59			R	
Ba12.I.THD.MAX	1E22h			Ba12.I Maximum total harmonic distortion for current and time stamp		R
Year	1E23h	2000~2099			R	
Month	1E24h	1~12			R	
Day	1E25h	1~31			R	
Hour	1E26h	0~23			R	
Minute	1E27h	0~59			R	
Second	1E28h	0~59			R	
Ba10-12.I.THD.MAX	1E29h		Ba10-12.I Maximum average total harmonic distortion for current and time stamp		R	
Year	1E2Ah	2000~2099			R	
Month	1E2Bh	1~12			R	
Day	1E2Ch	1~31			R	
Hour	1E2Dh	0~23			R	
Minute	1E2Eh	0~59			R	
Second	1E2Fh	0~59			R	
Ba10.I.DM.MAX	1E30h	0.000~9999.999A	Ba10.I Maximum current demand and time stamp		R	
	1E31h				R	
Year	1E32h	2000~2099			R	
Month	1E33h	1~12			R	
Day	1E34h	1~31			R	
Hour	1E35h	0~23			R	
Minute	1E36h	0~59			R	
Second	1E37h	0~59			R	
Ba11.I.DM.MAX	1E38h	0.000~9999.999A		Ba11.I Maximum current demand and time stamp		R
	1E39h					R
Year	1E3Ah	2000~2099			R	
Month	1E3Bh	1~12			R	
Day	1E3Ch	1~31			R	
Hour	1E3Dh	0~23			R	
Minute	1E3Eh	0~59			R	
Second	1E3Fh	0~59			R	
Ba12.I.DM.MAX	1E40h	0.000~9999.999A	Ba12.I Maximum current demand and time stamp		R	
	1E41h				R	
Year	1E42h	2000~2099			R	
Month	1E43h	1~12			R	
Day	1E44h	1~31			R	
Hour	1E45h	0~23			R	
Minute	1E46h	0~59			R	
Second	1E47h	0~59			R	
Ba10-12.I.DM.MAX	1E48h	0.000~9999.999A	Ba10-12.I Maximum average current demand and time stamp		R	
	1E49h				R	
Year	1E4Ah	2000~2099			R	
Month	1E4Bh	1~12			R	
Day	1E4Ch	1~31			R	
Hour	1E4Dh	0~23			R	
Minute	1E4Eh	0~59			R	
Second	1E4Fh	0~59			R	

Parameter	Address	Range	Description	Default	Property	
Ba10.P.DM.MAX	1E50h	-999999999~999999999W	Ba10.P Maximum active power demand and time stamp		R	
	1E51h				R	
Year	2000~2099			R		
Month	1~12			R		
Day	1~31			R		
Hour	0~23			R		
Minute	0~59			R		
Second	0~59			R		
Ba11.P.DM.MAX	1E58h	-999999999~999999999W		Ba11.P Maximum active power demand and time stamp		R
	1E59h					R
Year	2000~2099		R			
Month	1~12		R			
Day	1~31		R			
Hour	0~23		R			
Minute	0~59		R			
Second	0~59		R			
Ba12.P.DM.MAX	1E60h	-999999999~999999999W	Ba12.P Maximum active power demand and time stamp		R	
	1E61h				R	
Year	2000~2099			R		
Month	1~12			R		
Day	1~31			R		
Hour	0~23			R		
Minute	0~59			R		
Second	0~59			R		
Ba10-12.P.DM.MAX	1E68h	-999999999~999999999W	Ba10-12.P Maximum total active power demand and time stamp		R	
	1E69h				R	
Year	2000~2099			R		
Month	1~12			R		
Day	1~31			R		
Hour	0~23			R		
Minute	0~59			R		
Second	0~59			R		
Ba10.Q.DM.MAX	1E70h	-999999999~999999999VAR	Ba10.Q Maximum reactive power demand and time stamp		R	
	1E71h				R	
Year	2000~2099			R		
Month	1~12			R		
Day	1~31			R		
Hour	0~23			R		
Minute	0~59			R		
Second	0~59			R		
Ba11.Q.DM.MAX	1E78h	-999999999~999999999VAR	Ba11.Q Maximum reactive power demand and time stamp		R	
	1E79h				R	
Year	2000~2099			R		
Month	1~12			R		
Day	1~31			R		
Hour	0~23			R		
Minute	0~59			R		
Second	0~59			R		
Ba12.Q.DM.MAX	1E80h	-999999999~999999999VAR	Ba12.Q Maximum reactive power demand and time stamp		R	
	1E81h				R	
Year	2000~2099			R		
Month	1~12			R		
Day	1~31			R		
Hour	0~23			R		
Minute	0~59			R		
Second	0~59			R		

## Ba10-12MAX Values (Function code :03h):

※Reserved : 0

Parameter	Address	Range	Description	Default	Property
Ba10-12.Q.DM.MAX	1E88h	-999999999~999999999VAR	Ba10-12.Q Maximum total reactive power demand and time stamp		R
	1E89h				R
Year	1E8Ah	2000~2099			R
Month	1E8Bh	1~12			R
Day	1E8Ch	1~31			R
Hour	1E8Dh	0~23			R
Minute	1E8Eh	0~59			R
Second	1E8Fh	0~59			R
Ba10.S.DM.MAX	1E90h	-999999999~999999999VA		Ba10.S Maximum apparent power demand and time stamp	
	1E91h				R
Year	1E92h	2000~2099			R
Month	1E93h	1~12			R
Day	1E94h	1~31			R
Hour	1E95h	0~23			R
Minute	1E96h	0~59			R
Second	1E97h	0~59			R
Ba11.S.DM.MAX	1E98h	-999999999~999999999VA	Ba11.S Maximum apparent power demand and time stamp		
	1E99h				R
Year	1E9Ah	2000~2099			R
Month	1E9Bh	1~12			R
Day	1E9Ch	1~31			R
Hour	1E9Dh	0~23			R
Minute	1E9Eh	0~59			R
Second	1E9Fh	0~59			R
Ba12.S.DM.MAX	1EA0h	-999999999~999999999VA		Ba12.S Maximum apparent power demand and time stamp	
	1EA1h				R
Year	1EA2h	2000~2099			R
Month	1EA3h	1~12			R
Day	1EA4h	1~31			R
Hour	1EA5h	0~23			R
Minute	1EA6h	0~59			R
Second	1EA7h	0~59			R
Ba10-12.S.DM.MAX	1EA8h	-999999999~999999999VA	Ba10-12.S Maximum total apparent power demand and time stamp		
	1EA9h				R
Year	1EAAh	2000~2099			R
Month	1EABh	1~12			R
Day	1EACH	1~31			R
Hour	1EADh	0~23			R
Minute	1EA Eh	0~59			R
Second	1EAFh	0~59			R
Reserved	1EB0h			Resvered	
Reserved	1EB1h		Resvered		R

Parameter	Address	Range	Description	Default	Property
Mb.FREQ	2000h	45.00~65.00Hz	Mb frequency		R
Mb.V1	2001h	0.0 ~1200000.0V	Mb.V1 phase voltage(High Word)		R
	2002h		Mb.V1 phase voltage(Low Word)		R
Mb.V2	2003h	0.0 ~1200000.0V	Mb.V2 phase voltage(High Word)		R
	2004h		Mb.V2 phase voltage(Low Word)		R
Mb.V3	2005h	0.0 ~1200000.0V	Mb.V3 phase voltage(High Word)		R
	2006h		Mb.V3 phase voltage(Low Word)		R
Mb.V	2007h	0.0 ~1200000.0V	Mb average phase voltage(High Word)		R
	2008h		Mb average phase voltage(Low Word)		R
Mb.U12	2009h	0.0 ~1200000.0V	Mb.U12 line voltage(High Word)		R
	200Ah		Mb.U12 line voltage(Low Word)		R
Mb.U23	200Bh	0.0 ~1200000.0V	Mb.U23 line voltage(High Word)		R
	200Ch		Mb.U23 line voltage(Low Word)		R
Mb.U31	200Dh	0.0 ~1200000.0V	Mb.U31 line voltage(High Word)		R
	200Eh		Mb.U31 line voltage(Low Word)		R
Mb.U	200Fh	0.0 ~1200000.0V	Mb average line voltage(High Word)		R
	2010h		Mb average line voltage(Low Word)		R
Mb.I1	2011h	0.000-9999.999A	Mb.I1 current(High Word)		R
	2012h		Mb.I1 current(Low Word)		R
Mb.I2	2013h	0.000-9999.999A	Mb.I2 current(High Word)		R
	2014h		Mb.I2 current(Low Word)		R
Mb.I3	2015h	0.000-9999.999A	Mb.I3 current(High Word)		R
	2016h		Mb.I3 current(Low Word)		R
Mb.I	2017h	0.000-9999.999A	Mb average current(High Word)		R
	2018h		Mb average current(Low Word)		R
Mb.IN	2019h	0.000-9999.999A	Mb neutral current(High Word)		R
	201Ah		Mb neutral current(Low Word)		R
Mb.P1	201Bh	-999999999~999999999W	Mb.P1 active power(High Word)		R
	201Ch		Mb.P1 active power(Low Word)		R
Mb.P2	201Dh	-999999999~999999999W	Mb.P2 active power(High Word)		R
	201Eh		Mb.P2 active power(Low Word)		R
Mb.P3	201Fh	-999999999~999999999W	Mb.P3 active power(High Word)		R
	2020h		Mb.P3 active power(Low Word)		R
Mb.P	2021h	-999999999~999999999W	Mb.P.SUM total active power(High Word)		R
	2022h		Mb.P.SUM total active power(Low Word)		R
Mb.Q1	2023h	-999999999~999999999VAR	Mb.Q1 reactive power(High Word)		R
	2024h		Mb.Q1 reactive power(Low Word)		R
Mb.Q2	2025h	-999999999~999999999VAR	Mb.Q2 reactive power(High Word)		R
	2026h		Mb.Q2 reactive power(Low Word)		R
Mb.Q3	2027h	-999999999~999999999VAR	Mb.Q3 reactive power(High Word)		R
	2028h		Mb.Q3 reactive power(Low Word)		R
Mb.Q	2029h	-999999999~999999999VAR	Mb.Q.SUM total reactive power(High Word)		R
	202Ah		Mb.Q.SUM total reactive power(Low Word)		R
Mb.S1	202Bh	0~999999999VA	Mb.S1 apparent power(High Word)		R
	202Ch		Mb.S1 apparent power(Low Word)		R
Mb.S2	202Dh	0~999999999VA	Mb.S2 apparent power(High Word)		R
	202Eh		Mb.S2 apparent power(Low Word)		R
Mb.S3	202Fh	0~999999999VA	Mb.S3 apparent power(High Word)		R
	2030h		Mb.S3 apparent power(Low Word)		R
Mb.S	2031h	0~999999999VA	Mb.S.SUM total apparent power(High Word)		R
	2032h		Mb.S.SUM total apparent power(Low Word)		R
Mb.PF1	2033h	-0.020~-/+1.000~0.020	Mb.PF1 power factor		R
Mb.PF2	2034h	-0.020~-/+1.000~0.020	Mb.PF2 power factor		R
Mb.PF3	2035h	-0.020~-/+1.000~0.020	Mb.PF3 power factor		R
Mb.PF	2036h	-0.020~-/+1.000~0.020	Mb average power factor		R
Mb.Uunbl	2037h	0~300.0%	Mb voltage unbalance		R
Mb.Iunbl	2038h	0~300.0%	Mb current unbalance		R

Mb metering parameters reading (Function code : 03h , 06h , 10h): ※Reserved : 0

Parameter	Address	Range	Description	Default	Property
Mb.I1.DM	2039h	0.000~9999.999A	Mb.I1 current demand(High Word)		R
	203Ah		Mb.I1 current demand(Low Word)		R
Mb.I2.DM	203Bh	0.000~9999.999A	Mb.I2 current demand(High Word)		R
	203Ch		Mb.I2 current demand(Low Word)		R
Mb.I3.DM	203Dh	0.000~9999.999A	Mb.I3 current demand(High Word)		R
	203Eh		Mb.I3 current demand(Low Word)		R
Mb.I.DM	203Fh	0.000~9999.999A	Mb average current demand(High Word)		R
	2040h		Mb average current demand(Low Word)		R
Mb.P.DM	2041h	-999999999~999999999W	Mb total active power demand(High Word)		R
	2042h		Mb total active power demand(Low Word)		R
Mb.Q.DM	2043h	-999999999~999999999VAR	Mb total reactive power demand(High Word)		R
	2044h		Mb total reactive power demand(Low Word)		R
Mb.S.DM	2045h	0 ~ 999999999VA	Mb total apparent power demand(High Word)		R
	2046h		Mb total apparent power demand(Low Word)		R
Mb.AE.Imp	2047h	0.0~99999999.9kWh	Mb import total active energy(High Word)		R
	2048h		Mb import total active energy(Low Word)		R
Mb.RE.Imp	2049h	0.0~99999999.9kVARh	Mb import total reactive energy(High Word)		R
	204Ah		Mbimport total reactive energy(Low Word)		R
Mb.SE	204Bh	0.0~99999999.9kVAh	Mb total apparent energy(High Word)		R
	204Ch		Mb total apparent energy(Low Word)		R
Reserved	204Dh		Reserved		R
Reserved	204Eh		Reserved		R

Mb THD of voltage and current reading( Function code :03h ): ※Reserved : 0

Parameter	Address	Range	Description	Default	Property
Mb.V1(U12).THD	2059h	0.0~100.0%	Mb.V1(U12)THD		R
Mb.V2(U23).THD	205Ah	0.0~100.0%	Mb.V2(U23)THD		R
Mb.V3(U31).THD	205Bh	0.0~100.0%	Mb.V3(U31)THD		R
Mb.UAVG.THd	205Ch	0.0~100.0%	Mb average THD_V		R
Mb.I1.THd	205Dh	0.0~100.0%	Mb.I1 THD		R
Mb.I2.THd	205Eh	0.0~100.0%	Mb.I2 THD		R
Mb.I3.THd	205Fh	0.0~100.0%	Mb.I3 THD		R
Mb.IAVG.THd	2060h	0.0~100.0%	Mb average THD_I		R
Reserved	2061h		Reserved		R
Reserved	2062h		Reserved		R

Mb THD of voltage and current reading( Function code :03h ): ※Reserved : 0

Parameter	Address	Range	Description	Default	Property
Mb.V1(U12).HD2	2067h	0.0~100.0%	Mb.V1(U12) the 2nd to 31st harmonics		R
Mb.V1(U12).HD3	2068h	0.0~100.0%			R
Mb.V1(U12).HD4	2069h	0.0~100.0%			R
Mb.V1(U12).HD5	206Ah	0.0~100.0%			R
Mb.V1(U12).HD6	206Bh	0.0~100.0%			R
Mb.V1(U12).HD7	206Ch	0.0~100.0%			R
Mb.V1(U12).HD8	206Dh	0.0~100.0%			R
Mb.V1(U12).HD9	206Eh	0.0~100.0%			R
Mb.V1(U12).HD10	206Fh	0.0~100.0%			R
Mb.V1(U12).HD11	2070h	0.0~100.0%			R
Mb.V1(U12).HD12	2071h	0.0~100.0%			R
Mb.V1(U12).HD13	2072h	0.0~100.0%			R
Mb.V1(U12).HD14	2073h	0.0~100.0%			R
Mb.V1(U12).HD15	2074h	0.0~100.0%			R
Mb.V1(U12).HD16	2075h	0.0~100.0%			R
Mb.V1(U12).HD17	2076h	0.0~100.0%			R
Mb.V1(U12).HD18	2077h	0.0~100.0%			R
Mb.V1(U12).HD19	2078h	0.0~100.0%			R
Mb.V1(U12).HD20	2079h	0.0~100.0%			R
Mb.V1(U12).HD21	207Ah	0.0~100.0%			R
Mb.V1(U12).HD22	207Bh	0.0~100.0%			R
Mb.V1(U12).HD23	207Ch	0.0~100.0%			R
Mb.V1(U12).HD24	207Dh	0.0~100.0%			R
Mb.V1(U12).HD25	207Eh	0.0~100.0%			R
Mb.V1(U12).HD26	207Fh	0.0~100.0%			R
Mb.V1(U12).HD27	2080h	0.0~100.0%			R
Mb.V1(U12).HD28	2081h	0.0~100.0%			R
Mb.V1(U12).HD29	2082h	0.0~100.0%			R
Mb.V1(U12).HD30	2083h	0.0~100.0%			R
Mb.V1(U12).HD31	2084h	0.0~100.0%			R
Reserved	2085h			Reserved	
Reserved	2086h		Reserved		R
Reserved	2087h		Reserved		R
Reserved	2088h		Reserved		R
Reserved	2089h		Reserved		R
Reserved	208Ah		Reserved		R
Mb.V2(U23).HD2	208Bh	0.0~100.0%	Mb.V2(U23) the 2nd to 21st harmonics		R
Mb.V2(U23).HD3	208Ch	0.0~100.0%			R
Mb.V2(U23).HD4	208Dh	0.0~100.0%			R
Mb.V2(U23).HD5	208Eh	0.0~100.0%			R
Mb.V2(U23).HD6	208Fh	0.0~100.0%			R
Mb.V2(U23).HD7	2090h	0.0~100.0%			R
Mb.V2(U23).HD8	2091h	0.0~100.0%			R
Mb.V2(U23).HD9	2092h	0.0~100.0%			R
Mb.V2(U23).HD10	2093h	0.0~100.0%			R
Mb.V2(U23).HD11	2094h	0.0~100.0%			R
Mb.V2(U23).HD12	2095h	0.0~100.0%			R
Mb.V2(U23).HD13	2096h	0.0~100.0%			R
Mb.V2(U23).HD14	2097h	0.0~100.0%			R
Mb.V2(U23).HD15	2098h	0.0~100.0%			R
Mb.V2(U23).HD16	2099h	0.0~100.0%			R
Mb.V2(U23).HD17	209Ah	0.0~100.0%			R
Mb.V2(U23).HD18	209Bh	0.0~100.0%			R
Mb.V2(U23).HD19	209Ch	0.0~100.0%			R
Mb.V2(U23).HD20	209Dh	0.0~100.0%			R
Mb.V2(U23).HD21	209Eh	0.0~100.0%			R

Mb THD of voltage and current reading( Function code :03h ): ※Reserved : 0

Parameter	Address	Range	Description	Default	Property
Mb.V2(U23).HD22	209Fh	0.0~100.0%	Mb.V2(U23) the 22nd to 31th harmonics		R
Mb.V2(U23).HD23	20A0h	0.0~100.0%			R
Mb.V2(U23).HD24	20A1h	0.0~100.0%			R
Mb.V2(U23).HD25	20A2h	0.0~100.0%			R
Mb.V2(U23).HD26	20A3h	0.0~100.0%			R
Mb.V2(U23).HD27	20A4h	0.0~100.0%			R
Mb.V2(U23).HD28	20A5h	0.0~100.0%			R
Mb.V2(U23).HD29	20A6h	0.0~100.0%			R
Mb.V2(U23).HD30	20A7h	0.0~100.0%			R
Mb.V2(U23).HD31	20A8h	0.0~100.0%			R
Reserved	20A9h			Reserved	
Reserved	20AAh		Reserved		R
Reserved	20ABh		Reserved		R
Reserved	20ACh		Reserved		R
Reserved	20ADh		Reserved		R
Reserved	20AEh		Reserved		R
Mb.V3(U31).HD2	20AFh	0.0~100.0%	Mb.V3(U31) the 2nd to 31st harmonics		R
Mb.V3(U31).HD3	20B0h	0.0~100.0%			R
Mb.V3(U31).HD4	20B1h	0.0~100.0%			R
Mb.V3(U31).HD5	20B2h	0.0~100.0%			R
Mb.V3(U31).HD6	20B3h	0.0~100.0%			R
Mb.V3(U31).HD7	20B4h	0.0~100.0%			R
Mb.V3(U31).HD8	20B5h	0.0~100.0%			R
Mb.V3(U31).HD9	20B6h	0.0~100.0%			R
Mb.V3(U31).HD10	20B7h	0.0~100.0%			R
Mb.V3(U31).HD11	20B8h	0.0~100.0%			R
Mb.V3(U31).HD12	20B9h	0.0~100.0%			R
Mb.V3(U31).HD13	20BAh	0.0~100.0%			R
Mb.V3(U31).HD14	20BBh	0.0~100.0%			R
Mb.V3(U31).HD15	20BCh	0.0~100.0%			R
Mb.V3(U31).HD16	20BDh	0.0~100.0%			R
Mb.V3(U31).HD17	20BEh	0.0~100.0%			R
Mb.V3(U31).HD18	20BFh	0.0~100.0%			R
Mb.V3(U31).HD19	20C0h	0.0~100.0%			R
Mb.V3(U31).HD20	20C1h	0.0~100.0%			R
Mb.V3(U31).HD21	20C2h	0.0~100.0%			R
Mb.V3(U31).HD22	20C3h	0.0~100.0%			R
Mb.V3(U31).HD23	20C4h	0.0~100.0%		R	
Mb.V3(U31).HD24	20C5h	0.0~100.0%		R	
Mb.V3(U31).HD25	20C6h	0.0~100.0%		R	
Mb.V3(U31).HD26	20C7h	0.0~100.0%		R	
Mb.V3(U31).HD27	20C8h	0.0~100.0%		R	
Mb.V3(U31).HD28	20C9h	0.0~100.0%		R	
Mb.V3(U31).HD29	20CAh	0.0~100.0%		R	
Mb.V3(U31).HD30	20CBh	0.0~100.0%		R	
Mb.V3(U31).HD31	20CCh	0.0~100.0%		R	
Reserved	20CDh		Reserved		R
Reserved	20CEh		Reserved		R
Reserved	20CFh		Reserved		R
Reserved	20D0h		Reserved		R
Reserved	20D1h		Reserved		R
Reserved	20D2h		Reserved		R
Mb.I1.HD2	20D3h	0.0~100.0%	Mb.I1 2nd harmonics		R
Mb.I1.HD3	20D4h	0.0~100.0%	Mb.I1 3rd harmonics		R
Mb.I1.HD4	20D5h	0.0~100.0%	Mb.I1 4th harmonics		R
Mb.I1.HD5	20D6h	0.0~100.0%	Mb.I1 5th harmonics		R



Mb THD of voltage and current reading( Function code :03h ): ※Reserved : 0

Mb.I1.HD6	20D7h	0.0~100.0%	Mb.I1the 6th to 31st harmonics		R	
Mb.I1.HD7	20D8h	0.0~100.0%			R	
Mb.I1.HD8	20D9h	0.0~100.0%			R	
Mb.I1.HD9	20DAh	0.0~100.0%			R	
Mb.I1.HD10	20DBh	0.0~100.0%			R	
Mb.I1.HD11	20DCh	0.0~100.0%			R	
Mb.I1.HD12	20DDh	0.0~100.0%			R	
Mb.I1.HD13	20DEh	0.0~100.0%			R	
Mb.I1.HD14	20DFh	0.0~100.0%			R	
Mb.I1.HD15	20E0h	0.0~100.0%			R	
Mb.I1.HD16	20E1h	0.0~100.0%			R	
Mb.I1.HD17	20E2h	0.0~100.0%			R	
Mb.I1.HD18	20E3h	0.0~100.0%			R	
Mb.I1.HD19	20E4h	0.0~100.0%			R	
Mb.I1.HD20	20E5h	0.0~100.0%			R	
Mb.I1.HD21	20E6h	0.0~100.0%			R	
Mb.I1.HD22	20E7h	0.0~100.0%			R	
Mb.I1.HD23	20E8h	0.0~100.0%			R	
Mb.I1.HD24	20E9h	0.0~100.0%			R	
Mb.I1.HD25	20EAh	0.0~100.0%			R	
Mb.I1.HD26	20EBh	0.0~100.0%			R	
Mb.I1.HD27	20ECh	0.0~100.0%			R	
Mb.I1.HD28	20EDh	0.0~100.0%			R	
Mb.I1.HD29	20EEh	0.0~100.0%			R	
Mb.I1.HD30	20EFh	0.0~100.0%			R	
Mb.I1.HD31	20F0h	0.0~100.0%			R	
Reserved	20F1h			Reserved		R
Reserved	20F2h			Reserved		R
Reserved	20F3h			Reserved		R
Reserved	20F4h			Reserved		R
Reserved	20F5h			Reserved		R
Reserved	20F6h		Reserved		R	
Mb.I2.HD2	20F7h	0.0~100.0%	Mbl2 the 2nd to 25th harmonics		R	
Mb.I2.HD3	20F8h	0.0~100.0%			R	
Mb.I2.HD4	20F9h	0.0~100.0%			R	
Mb.I2.HD5	20FAh	0.0~100.0%			R	
Mb.I2.HD6	20FBh	0.0~100.0%			R	
Mb.I2.HD7	20FCh	0.0~100.0%			R	
Mb.I2.HD8	20FDh	0.0~100.0%			R	
Mb.I2.HD9	20FEh	0.0~100.0%			R	
Mb.I2.HD10	20FFh	0.0~100.0%			R	
Mb.I2.HD11	2100h	0.0~100.0%			R	
Mb.I2.HD12	2101h	0.0~100.0%			R	
Mb.I2.HD13	2102h	0.0~100.0%			R	
Mb.I2.HD14	2103h	0.0~100.0%			R	
Mb.I2.HD15	2104h	0.0~100.0%			R	
Mb.I2.HD16	2105h	0.0~100.0%			R	
Mb.I2.HD17	2106h	0.0~100.0%			R	
Mb.I2.HD18	2107h	0.0~100.0%			R	
Mb.I2.HD19	2108h	0.0~100.0%			R	
Mb.I2.HD20	2109h	0.0~100.0%			R	
Mb.I2.HD21	210Ah	0.0~100.0%			R	
Mb.I2.HD22	210Bh	0.0~100.0%			R	
Mb.I2.HD23	210Ch	0.0~100.0%			R	
Mb.I2.HD24	210Dh	0.0~100.0%			R	
Mb.I2.HD25	210Eh	0.0~100.0%			R	

Mb THD of voltage and current reading( Function code :03h ): ※Reserved : 0

Parameter	Address	Range	Description	Default	Property
Mb.I2.HD26	210Fh	0.0~100.0%	Mbl2 the 26th to 31st harmonics		R
Mb.I2.HD27	2110h	0.0~100.0%			R
Mb.I2.HD28	2111h	0.0~100.0%			R
Mb.I2.HD29	2112h	0.0~100.0%			R
Mb.I2.HD30	2113h	0.0~100.0%			R
Mb.I2.HD31	2114h	0.0~100.0%			R
Reserved	2115h		Reserved		R
Reserved	2116h		Reserved		R
Reserved	2117h		Reserved		R
Reserved	2118h		Reserved		R
Reserved	2119h		Reserved		R
Reserved	211Ah		Reserved		R
Mb.I3.HD2	211Bh	0.0~100.0%	Mbl3 the 2nd to 31st harmonics		R
Mb.I3.HD3	211Ch	0.0~100.0%			R
Mb.I3.HD4	211Dh	0.0~100.0%			R
Mb.I3.HD5	211Eh	0.0~100.0%			R
Mb.I3.HD6	211Fh	0.0~100.0%			R
Mb.I3.HD7	2120h	0.0~100.0%			R
Mb.I3.HD8	2121h	0.0~100.0%			R
Mb.I3.HD9	2122h	0.0~100.0%			R
Mb.I3.HD10	2123h	0.0~100.0%			R
Mb.I3.HD11	2124h	0.0~100.0%			R
Mb.I3.HD12	2125h	0.0~100.0%			R
Mb.I3.HD13	2126h	0.0~100.0%			R
Mb.I3.HD14	2127h	0.0~100.0%			R
Mb.I3.HD15	2128h	0.0~100.0%			R
Mb.I3.HD16	2129h	0.0~100.0%			R
Mb.I3.HD17	212Ah	0.0~100.0%			R
Mb.I3.HD18	212Bh	0.0~100.0%			R
Mb.I3.HD19	212Ch	0.0~100.0%			R
Mb.I3.HD20	212Dh	0.0~100.0%			R
Mb.I3.HD21	212Eh	0.0~100.0%			R
Mb.I3.HD22	212Fh	0.0~100.0%			R
Mb.I3.HD23	2130h	0.0~100.0%			R
Mb.I3.HD24	2131h	0.0~100.0%			R
Mb.I3.HD25	2132h	0.0~100.0%			R
Mb.I3.HD26	2133h	0.0~100.0%			R
Mb.I3.HD27	2134h	0.0~100.0%			R
Mb.I3.HD28	2135h	0.0~100.0%			R
Mb.I3.HD29	2136h	0.0~100.0%			R
Mb.I3.HD30	2137h	0.0~100.0%			R
Mb.I3.HD31	2138h	0.0~100.0%			R
Reserved	2139h			Reserved	
Reserved	213Ah		Reserved		R
Reserved	213Bh		Reserved		R
Reserved	213Ch		Reserved		R
Reserved	213Dh		Reserved		R
Reserved	213Eh		Reserved		R

Parameter	Address	Range	Description	Default	Property	
Mb.V1.MAX	213Fh	0.0 ~1200000.0V	Mb.V1 Maximum phase voltage	(High Word)	R	
	2140h			(Low Word)	R	
Year	2141h	2000~2099	Year		R	
Month	2142h	1~12	Month		R	
Day	2143h	1~31	Day		R	
Hour	2144h	0~23	Hour		R	
Minute	2145h	0~59	Minute		R	
Second	2146h	0~59	Second		R	
Mb.V1.MIN	2147h	0.0 ~1200000.0V	Mb.V1 Minimum phase voltage and time stamp		R	
	2148h				R	
Year	2149h	2000~2099			R	
Month	214Ah	1~12			R	
Day	214Bh	1~31			R	
Hour	214Ch	0~23			R	
Minute	214Dh	0~59			R	
Second	214Eh	0~59			R	
Mb.V2.MAX	214Fh	0.0 ~1200000.0V		Mb.V2 Maximum phase voltage and time stamp		R
	2150h					R
Year	2151h	2000~2099			R	
Month	2152h	1~12			R	
Day	2153h	1~31			R	
Hour	2154h	0~23			R	
Minute	2155h	0~59			R	
Second	2156h	0~59			R	
Mb.V2.MIN	2157h	0.0 ~1200000.0V	Mb.V2 Minimum phase voltage and time stamp			R
	2158h					R
Year	2159h	2000~2099			R	
Month	215Ah	1~12			R	
Day	215Bh	1~31			R	
Hour	215Ch	0~23			R	
Minute	215Dh	0~59			R	
Second	215Eh	0~59			R	
Mb.V3.MAX	215Fh	0.0 ~1200000.0V	Mb.V3 Maximum phase voltage and time stamp		R	
	2160h				R	
Year	2161h	2000~2099			R	
Month	2162h	1~12			R	
Day	2163h	1~31			R	
Hour	2164h	0~23			R	
Minute	2165h	0~59			R	
Second	2166h	0~59			R	
Mb.V3.MIN	2167h	0.0 ~1200000.0V	Ma.V3 Minimum phase voltage and time stamp		R	
	2168h				R	
Year	2169h	2000~2099			R	
Month	216Ah	1~12			R	
Day	216Bh	1~31			R	
Hour	216Ch	0~23			R	
Minute	216Dh	0~59			R	
Second	216Eh	0~59			R	
Mb.V.AVG.MAX	216Fh	0.0 ~1200000.0V	Mb Maximum average phase voltage and time stamp		R	
	2170h				R	
Year	2171h	2000~2099			R	
Month	2172h	1~12			R	
Day	2173h	1~31			R	
Hour	2174h	0~23			R	
Minute	2175h	0~59			R	
Second	2176h	0~59			R	

## Mb MAX/MIN Values (Function code :03h):

※Reserved: 0

Parameter	Address	Range	Description	Default	Property	
Mb.V.AVG.MIN	2177h	0.0 ~1200000.0V	Mb Minimum average phase voltage and time stamp		R	
	2178h				R	
Year	2179h	2000~2099			R	
Month	217Ah	1~12			R	
Day	217Bh	1~31			R	
Hour	217Ch	0~23			R	
Minute	217Dh	0~59			R	
Second	217Eh	0~59			R	
Mb.U12.MAX	217Fh	0.0 ~1200000.0		Mb.U12 Maximum line voltage and time stamp		R
	2180h					R
Year	2181h	2000~2099			R	
Month	2182h	1~12			R	
Day	2183h	1~31			R	
Hour	2184h	0~23			R	
Minute	2185h	0~59			R	
Second	2186h	0~59			R	
Mb.U12.MIN	2187h	0.0 ~1200000.0V	Mb.U12 Minimum line voltage and time stamp			R
	2188h					R
Year	2189h	2000~2099			R	
Month	218Ah	1~12			R	
Day	218Bh	1~31			R	
Hour	218Ch	0~23			R	
Minute	218Dh	0~59			R	
Second	218Eh	0~59			R	
Mb.U23.MAX	218Fh	0.0 ~1200000.0V		Mb.U23 Maximum line voltage and time stamp		R
	2190h					R
Year	2191h	2000~2099			R	
Month	2192h	1~12			R	
Day	2193h	1~31			R	
Hour	2194h	0~23			R	
Minute	2195h	0~59			R	
Second	2196h	0~59			R	
Mb.U23.MIN	2197h	0.0 ~1200000.0V	Mb.U23 Minimum line voltage and time stamp			R
	2198h					R
Year	2199h	2000~2099			R	
Month	219Ah	1~12			R	
Day	219Bh	1~31			R	
Hour	219Ch	0~23			R	
Minute	219Dh	0~59			R	
Second	219Eh	0~59			R	
Mb.U31.MAX	219Fh	0.0 ~1200000.0V		Mb.U31 Maximum line voltage and time stamp		R
	21A0h					R
Year	21A1h	2000~2099			R	
Month	21A2h	1~12			R	
Day	21A3h	1~31			R	
Hour	21A4h	0~23			R	
Minute	21A5h	0~59			R	
Second	21A6h	0~59			R	
Mb.U31.MIN	21A7h	0.0 ~1200000.0V	Mb.U31 Minimum line voltage and time stamp			R
	21A8h					R
Year	21A9h	2000~2099			R	
Month	21AAh	1~12			R	
Day	21ABh	1~31			R	
Hour	21ACh	0~23			R	
Minute	21ADh	0~59			R	
Second	21AEh	0~59			R	

## Mb MAX/MIN Values (Function code :03h):

※Reserved: 0

Parameter	Address	Range	Description	Default	Property		
Mb.U.AVG.MAX	21AFh	0.0 ~1200000.0V	Mb Maximum average line voltage and time stamp		R		
	21B0h				R		
Year	21B1h	2000~2099			R		
Month	21B2h	1~12			R		
Day	21B3h	1~31			R		
Hour	21B4h	0~23			R		
Minute	21B5h	0~59			R		
Second	21B6h	0~59			R		
Mb.U.AVG.MIN	21B7h	0.0 ~1200000.0V			Mb Minimum average line voltage and time stamp		R
	21B8h						R
Year	21B9h	2000~2099	R				
Month	21BAh	1~12	R				
Day	21BBh	1~31	R				
Hour	21BCh	0~23	R				
Minute	21BDh	0~59	R				
Second	21BEh	0~59	R				
Mb.I1.AVG.MAX	21BFh	0.000~9999.999A	Mb.I1 Maximum current and time stamp				R
	21C0h						R
Year	21C1h	2000~2099			R		
Month	21C2h	1~12			R		
Day	21C3h	1~31			R		
Hour	21C4h	0~23			R		
Minute	21C5h	0~59			R		
Second	21C6h	0~59			R		
Mb.I1.AVG.MIN	21C7h	0.000~9999.999A			Mb.I1 Minimum current and time stamp		R
	21C8h						R
Year	21C9h	2000~2099	R				
Month	21CAh	1~12	R				
Day	21CBh	1~31	R				
Hour	21CCh	0~23	R				
Minute	21CDh	0~59	R				
Second	21CEh	0~59	R				
Mb.I2.AVG.MAX	21CFh	0.000~9999.999A	Mb.I2 Maximum current and time stamp				R
	21D0h						R
Year	21D1h	2000~2099			R		
Month	21D2h	1~12			R		
Day	21D3h	1~31			R		
Hour	21D4h	0~23			R		
Minute	21D5h	0~59			R		
Second	21D6h	0~59			R		
Mb.I2.AVG.MIN	21D7h	0.000~9999.999A			Mb.I2 Minimum current and time stamp		R
	21D8h						R
Year	21D9h	2000~2099	R				
Month	21DAh	1~12	R				
Day	21DBh	1~31	R				
Hour	21DCh	0~23	R				
Minute	21DDh	0~59	R				
Second	21DEh	0~59	R				
Mb.I3.AVG.MAX	21DFh	0.000~9999.999A	Mb.I3 Maximum current and time stamp				R
	21E0h						R
Year	21E1h	2000~2099			R		
Month	21E2h	1~12			R		
Day	21E3h	1~31			R		
Hour	21E4h	0~23			R		
Minute	21E5h	0~59			R		
Second	21E6h	0~59			R		

Parameter	Address	Range	Description	Default	Property	
Mb.I3.AVG.MIN	21E7h	0.000~9999.999A	Mb.I3 Minimum current and time stamp		R	
	21E8h				R	
Year	21E9h	2000~2099			R	
Month	21EAh	1~12			R	
Day	21EBh	1~31			R	
Hour	21ECh	0~23			R	
Minute	21EDh	0~59			R	
Second	21EEh	0~59			R	
Mb.I.AVG.MAX	21EFh	0.000~9999.999A		Mb Maximum average current and time stamp		R
	21F0h					R
Year	21F1h	2000~2099			R	
Month	21F2h	1~12			R	
Day	21F3h	1~31			R	
Hour	21F4h	0~23			R	
Minute	21F5h	0~59			R	
Second	21F6h	0~59			R	
Mb.I.AVG.MIN	21F7h	0.000~9999.999A	Mb Minimum average current and time stamp			R
	21F8h					R
Year	21F9h	2000~2099			R	
Month	21FAh	1~12			R	
Day	21FBh	1~31			R	
Hour	21FCh	0~23			R	
Minute	21FDh	0~59			R	
Second	21FEh	0~59			R	
Mb.P1.MAX	21FFh	-999999999~999999999W		Mb.P1 Maximum active power and time stamp		R
	2200h					R
Year	2201h	2000~2099			R	
Month	2202h	1~12			R	
Day	2203h	1~31			R	
Hour	2204h	0~23			R	
Minute	2205h	0~59			R	
Second	2206h	0~59			R	
Mb.P1.MIN	2207h	-999999999~999999999W	Mb.P1 Minimum active power and time stamp			R
	2208h					R
Year	2209h	2000~2099			R	
Month	220Ah	1~12			R	
Day	220Bh	1~31			R	
Hour	220Ch	0~23			R	
Minute	220Dh	0~59			R	
Second	220Eh	0~59			R	
Mb.P2.MAX	220Fh	-999999999~999999999W		Mb.P2 Maximum active power and time stamp		R
	2210h					R
Year	2211h	2000~2099			R	
Month	2212h	1~12			R	
Day	2213h	1~31			R	
Hour	2214h	0~23			R	
Minute	2215h	0~59			R	
Second	2216h	0~59			R	
Mb.P2.MIN	2217h	-999999999~999999999W	Mb.P2 Minimum active power and time stamp			R
	2218h					R
Year	2219h	2000~2099			R	
Month	221Ah	1~12			R	
Day	221Bh	1~31			R	
Hour	221Ch	0~23			R	
Minute	221Dh	0~59			R	
Second	221Eh	0~59			R	

Parameter	Address	Range	Description	Default	Property		
Mb.P3.MAX	221Fh	-999999999~999999999W	Mb.P3 Maximum active power and time stamp		R		
	2220h				R		
Year	2221h	2000~2099			R		
Month	2222h	1~12			R		
Day	2223h	1~31			R		
Hour	2224h	0~23			R		
Minute	2225h	0~59			R		
Second	2226h	0~59			R		
Mb.P3.MIN	2227h	-999999999~999999999W			Mb.P3 Minimum active power and time stamp		R
	2228h						R
Year	2229h	2000~2099	R				
Month	222Ah	1~12	R				
Day	222Bh	1~31	R				
Hour	222Ch	0~23	R				
Minute	222Dh	0~59	R				
Second	222Eh	0~59	R				
Mb.Pt.MAX	222Fh	-999999999~999999999W	Mb.P.SUM Maximum total active power and time stamp				R
	2230h						R
Year	2231h	2000~2099			R		
Month	2232h	1~12			R		
Day	2233h	1~31			R		
Hour	2234h	0~23			R		
Minute	2235h	0~59			R		
Second	2236h	0~59			R		
Mb.Pt.MIN	2237h	-999999999~999999999W			Mb.P.SUM Minimum total active power and time stamp		R
	2238h						R
Year	2239h	2000~2099	R				
Month	223Ah	1~12	R				
Day	223Bh	1~31	R				
Hour	223Ch	0~23	R				
Minute	223Dh	0~59	R				
Second	223Eh	0~59	R				
Mb.Q1.MAX	223Fh	-999999999~999999999VAR	Mb.Q1 Maximum reactive power and time stamp				R
	2240h						R
Year	2241h	2000~2099			R		
Month	2242h	1~12			R		
Day	2243h	1~31			R		
Hour	2244h	0~23			R		
Minute	2245h	0~59			R		
Second	2246h	0~59			R		
Mb.Q1.MIN	2247h	-999999999~999999999VAR			Mb.Q1 Minimum reactive power and time stamp		R
	2248h						R
Year	2249h	2000~2099	R				
Month	224Ah	1~12	R				
Day	224Bh	1~31	R				
Hour	224Ch	0~23	R				
Minute	224Dh	0~59	R				
Second	224Eh	0~59	R				
Mb.Q2.MAX	224Fh	-999999999~999999999VAR	Mb.Q2 Maximum reactive power and time stamp				R
	2250h						R
Year	2251h	2000~2099			R		
Month	2252h	1~12			R		
Day	2253h	1~31			R		
Hour	2254h	0~23			R		
Minute	2255h	0~59			R		
Second	2256h	0~59			R		

## Mb MAX/MIN Values (Function code :03h):

※Reserved: 0

Parameter	Address	Range	Description	Default	Property
Mb.Q2.MIN	2257h	-999999999~999999999VAR	Mb.Q2 Minimum reactive power and time stamp		R
	2258h				R
Year	2259h	2000~2099			R
Month	225Ah	1~12			R
Day	225Bh	1~31			R
Hour	225Ch	0~23			R
Minute	225Dh	0~59			R
Second	225Eh	0~59			R
Mb.Q3.MAX	225Fh	-999999999~999999999VAR			Mb.Q3 Maximum reactive power and time stamp
	2260h		R		
Year	2261h	2000~2099	R		
Month	2262h	1~12	R		
Day	2263h	1~31	R		
Hour	2264h	0~23	R		
Minute	2265h	0~59	R		
Second	2266h	0~59	R		
Mb.Q3.MIN	2267h	-999999999~999999999VAR	Mb.Q3 Minimum reactive power and time stamp		
	2268h				R
Year	2269h	2000~2099			R
Month	226Ah	1~12			R
Day	226Bh	1~31			R
Hour	226Ch	0~23			R
Minute	226Dh	0~59			R
Second	226Eh	0~59			R
Mb.Qt.MAX	226Fh	-999999999~999999999VAR			Mb.Q.SUM Maximum total reactive power and time stamp
	2270h		R		
Year	2271h	2000~2099	R		
Month	2272h	1~12	R		
Day	2273h	1~31	R		
Hour	2274h	0~23	R		
Minute	2275h	0~59	R		
Second	2276h	0~59	R		
Mb.Qt.MIN	2277h	-999999999~999999999VAR	Mb.Q.SUM Minimum total reactive power and time stamp		
	2278h				R
Year	2279h	2000~2099			R
Month	227Ah	1~12			R
Day	227Bh	1~31			R
Hour	227Ch	0~23			R
Minute	227Dh	0~59			R
Second	227Eh	0~59			R
Mb.S1.MAX	227Fh	0 ~ 999999999VA			Mb.S1 Maximum apparent power and time stamp
	2280h		R		
Year	2281h	2000~2099	R		
Month	2282h	1~12	R		
Day	2283h	1~31	R		
Hour	2284h	0~23	R		
Minute	2285h	0~59	R		
Second	2286h	0~59	R		
Mb.S1.MIN	2287h	0 ~ 999999999VA	Mb.S1 Minimum apparent power and time stamp		
	2288h				R
Year	2289h	2000~2099			R
Month	228Ah	1~12			R
Day	228Bh	1~31			R
Hour	228Ch	0~23			R
Minute	228Dh	0~59			R
Second	228Eh	0~59			R



## Mb MAX/MIN Values (Function code :03h):

※Reserved: 0

Parameter	Address	Range	Description	Default	Property		
Mb.S2.MAX	228Fh	0 ~ 999999999VA	Mb.S2 Maximum apparent power and time stamp		R		
	2290h				R		
Year	2291h	2000~2099			R		
Month	2292h	1~12			R		
Day	2293h	1~31			R		
Hour	2294h	0~23			R		
Minute	2295h	0~59			R		
Second	2296h	0~59			R		
Mb.S2.MIN	2297h	0 ~ 999999999VA			Mb.S2 Minimum apparent power and time stamp		R
	2298h						R
Year	2299h	2000~2099	R				
Month	229Ah	1~12	R				
Day	229Bh	1~31	R				
Hour	229Ch	0~23	R				
Minute	229Dh	0~59	R				
Second	229Eh	0~59	R				
Mb.S3.MAX	229Fh	0 ~ 999999999VA	Mb.S3 Maximum apparent power and time stamp				R
	22A0h						R
Year	22A1h	2000~2099			R		
Month	22A2h	1~12			R		
Day	22A3h	1~31			R		
Hour	22A4h	0~23			R		
Minute	22A5h	0~59			R		
Second	22A6h	0~59			R		
Mb.S3.MIN	22A7h	0 ~ 999999999VA			Mb.S3 Minimum apparent power and time stamp		R
	22A8h						R
Year	22A9h	2000~2099	R				
Month	22AAh	1~12	R				
Day	22ABh	1~31	R				
Hour	22ACh	0~23	R				
Minute	22ADh	0~59	R				
Second	22AEh	0~59	R				
Mb.St.MAX	22AFh	0 ~ 999999999VA	Mb.S.SUM Maximum total apparent power and time stamp				R
	22B0h						R
Year	22B1h	2000~2099			R		
Month	22B2h	1~12			R		
Day	22B3h	1~31			R		
Hour	22B4h	0~23			R		
Minute	22B5h	0~59			R		
Second	22B6h	0~59			R		
Mb.St.MIN	22B7h	0 ~ 999999999VA			Mb.S.SUM Minimum total apparent power and time stamp		R
	22B8h						R
Year	22B9h	2000~2099	R				
Month	22BAh	1~12	R				
Day	22BBh	1~31	R				
Hour	22BCh	0~23	R				
Minute	22BDh	0~59	R				
Second	22BEh	0~59	R				
Mb.PF1.MAX	22BFh	-1.000~1.000	Mb.PF1 Maximum power factor and time stamp				R
	Year						22C0h
Month	22C1h	1~12			R		
Day	22C2h	1~31			R		
Hour	22C3h	0~23			R		
Minute	22C4h	0~59			R		
Second	22C5h	0~59			R		

## Mb MAX/MIN Values (Function code :03h):

※Reserved: 0

Parameter	Address	Range	Description	Default	Property
Mb.PF1.MIN	22C6h	-1.000~1.000	Mb.PF1 Minimum power factor and time stamp		R
Year	22C7h	2000~2099			R
Month	22C8h	1~12			R
Day	22C9h	1~31			R
Hour	22CAh	0~23			R
Minute	22CBh	0~59			R
Second	22CCh	0~59			R
Mb.PF2.MAX	22CDh	-1.000~1.000		Mb.PF2 Maximum power factor and time stamp	
Year	22CEh	2000~2099			R
Month	22CFh	1~12			R
Day	22D0h	1~31			R
Hour	22D1h	0~23			R
Minute	22D2h	0~59			R
Second	22D3h	0~59			R
Mb.PF2.MIN	22D4h	-1.000~1.000	Mb.PF2 Minimum power factor and time stamp		
Year	22D5h	2000~2099			R
Month	22D6h	1~12			R
Day	22D7h	1~31			R
Hour	22D8h	0~23			R
Minute	22D9h	0~59			R
Second	22DAh	0~59			R
Mb.PF3.MAX	22DBh	-1.000~1.000		Mb.PF3 Maximum power factor and time stamp	
Year	22DCh	2000~2099			R
Month	22DDh	1~12			R
Day	22DEh	1~31			R
Hour	22DFh	0~23			R
Minute	22E0h	0~59			R
Second	22E1h	0~59			R
Mb.PF3.Min	22E2h	-1.000~1.000	Mb.PF3 Minimum power factor and timestamp		
Year	22E3h	2000~2099			R
Month	22E4h	1~12			R
Day	22E5h	1~31			R
Hour	22E6h	0~23			R
Minute	22E7h	0~59			R
Second	22E8h	0~59			R
Mb.PF.AVG.MAX	22E9h	-1.000~1.000		Mb Maximum average power factor and time stamp	
Year	22EAh	2000~2099			R
Month	22EBh	1~12			R
Day	22ECh	1~31			R
Hour	22EDh	0~23			R
Minute	22EEh	0~59			R
Second	22EFh	0~59			R
Mb.PF.AVG.MIN	22F0h	-1.000~1.000	Mb Minimum average power factor and time stamp		
Year	22F1h	2000~2099			R
Month	22F2h	1~12			R
Day	22F3h	1~31			R
Hour	22F4h	0~23			R
Minute	22F5h	0~59			R
Second	22F6h	0~59			R
Mb.FREQ.MAX	22F7h	45.00~65.00Hz		Mb Maximum frequency and time stamp	
Year	22F8h	2000~2099			R
Month	22F9h	1~12			R
Day	22FAh	1~31			R
Hour	22FBh	0~23			R
Minute	22FCh	0~59			R
Second	22FDh	0~59			R

## Mb MAX/MIN Values (Function code :03h):

※Reserved: 0

Parameter	Address	Range	Description	Default	Property
Mb.FREQ.MIN	22FEh	45.00~65.00Hz	Mb Minimum frequency and time stamp		R
Year	22FFh	2000~2099			R
Month	2300h	1~12			R
Day	2301h	1~31			R
Hour	2302h	0~23			R
Minute	2303h	0~59			R
Second	2304h	0~59			R
Mb.V1(U12).THD.MAX	2305h			Mb.V1(U12) Maximum total harmonic distortion for voltage and time stamp	
Year	2306h	2000~2099			R
Month	2307h	1~12			R
Day	2308h	1~31			R
Hour	2309h	0~23			R
Minute	230Ah	0~59			R
Second	230Bh	0~59			R
Mb.V1(U12).THD.MIN	230Ch		Mb.V1(U12) Minimum total harmonic distortion for voltage and time stamp		
Year	230Dh	2000~2099			R
Month	230Eh	1~12			R
Day	230Fh	1~31			R
Hour	2310h	0~23			R
Minute	2311h	0~59			R
Second	2312h	0~59			R
Mb.V2(U23).THD.MAX	2313h			Mb.V2(U23) Maximum total harmonic distortion for voltage and time stamp	
Year	2314h	2000~2099			R
Month	2315h	1~12			R
Day	2316h	1~31			R
Hour	2317h	0~23			R
Minute	2318h	0~59			R
Second	2319h	0~59			R
Mb.V2(U23).THD.MIN	231Ah		Mb.V2(U23) Minimum total harmonic distortion for voltage and time stamp		
Year	231Bh	2000~2099			R
Month	231Ch	1~12			R
Day	231Dh	1~31			R
Hour	231Eh	0~23			R
Minute	231Fh	0~59			R
Second	2320h	0~59			R
Mb.V3(U31).THD.MAX	2321h			Mb.V3(U31) Maximum total harmonic distortion for voltage and time stamp	
Year	2322h	2000~2099			R
Month	2323h	1~12			R
Day	2324h	1~31			R
Hour	2325h	0~23			R
Minute	2326h	0~59			R
Second	2327h	0~59			R
Mb.V3(U31).THD.MIN	2328h		Mb.V3(U31) Minimum total harmonic distortion for voltage and time stamp		
Year	2329h	2000~2099			R
Month	232Ah	1~12			R
Day	232Bh	1~31			R
Hour	232Ch	0~23			R
Minute	232Dh	0~59			R
Second	232Eh	0~59			R
Mb.U.AVG.TH.D.MAX	232Fh			Mb Maximum average total harmonic distortion for voltage and time stamp	
Year	2330h	2000~2099			R
Month	2331h	1~12			R
Day	2332h	1~31			R
Hour	2333h	0~23			R
Minute	2334h	0~59			R
Second	2335h	0~59			R

Parameter	Address	Range	Description	Default	Property
Mb.U.AVG.THD.MIN	2336h		Mb Minimum average total harmonic distortion for voltage and time stamp		R
Year	2337h	2000~2099			R
Month	2338h	1~12			R
Day	2339h	1~31			R
Hour	233Ah	0~23			R
Minute	233Bh	0~59			R
Second	233Ch	0~59			R
Mb.I1.THD.MAX	233Dh		Mb.I1 Maximum total harmonic distortion for current and time stamp		R
Year	233Eh	2000~2099			R
Month	233Fh	1~12			R
Day	2340h	1~31			R
Hour	2341h	0~23			R
Minute	2342h	0~59			R
Second	2343h	0~59			R
Mb.I1.THD.MIN	2344h		Mb.I1 Minimum total harmonic distortion for current and time stamp		R
Year	2345h	2000~2099			R
Month	2346h	1~12			R
Day	2347h	1~31			R
Hour	2348h	0~23			R
Minute	2349h	0~59			R
Second	234Ah	0~59			R
Mb.I2.THD.MAX	234Bh		Mb.I2 Maximum total harmonic distortion for current and time stamp		R
Year	234Ch	2000~2099			R
Month	234Dh	1~12			R
Day	234Eh	1~31			R
Hour	234Fh	0~23			R
Minute	2350h	0~59			R
Second	2351h	0~59			R
Mb.I2.THD.MIN	2352h		Mb.I2 Minimum total harmonic distortion for current and time stamp		R
Year	2353h	2000~2099			R
Month	2354h	1~12			R
Day	2355h	1~31			R
Hour	2356h	0~23			R
Minute	2357h	0~59			R
Second	2358h	0~59			R
Mb.I3.THD.MAX	2359h		Mb.I3 Maximum total harmonic distortion for current and time stamp		R
Year	235Ah	2000~2099			R
Month	235Bh	1~12			R
Day	235Ch	1~31			R
Hour	235Dh	0~23			R
Minute	235Eh	0~59			R
Second	235Fh	0~59			R
Mb.I3.THD.MIN	2360h		Mb.I3 Minimum total harmonic distortion for current and time stamp		R
Year	2361h	2000~2099			R
Month	2362h	1~12			R
Day	2363h	1~31			R
Hour	2364h	0~23			R
Minute	2365h	0~59			R
Second	2366h	0~59			R
Mb.I.AVG.THD.MAX	2367h		Mb Maximum average total harmonic distortion for current and time stamp		R
Year	2368h	2000~2099			R
Month	2369h	1~12			R
Day	236Ah	1~31			R
Hour	236Bh	0~23			R
Minute	236Ch	0~59			R
Second	236Dh	0~59			R

## Mb MAX/MIN Values (Function code :03h):

※Reserved: 0

Parameter	Address	Range	Description	Default	Property	
Mb.I.AVG.THD.MIN	236Eh		Mb Minimum average total harmonic distortion for current and time stamp		R	
Year	236Fh	2000~2099			R	
Month	2370h	1~12			R	
Day	2371h	1~31			R	
Hour	2372h	0~23			R	
Minute	2373h	0~59			R	
Second	2374h	0~59			R	
Mb.I1.DM.MAX	2375h	0.000~9999.999A		Mb.I1 Maximum current demand and time stamp		R
	2376h				R	
Year	2377h		2000~2099			R
Month	2378h		1~12			R
Day	2379h		1~31			R
Hour	237Ah		0~23			R
Minute	237Bh		0~59			R
Second	237Ch		0~59			R
Mb.I2.DM.MAX	237Dh	0.000~9999.999A	Mb.I2 Maximum current demand and time stamp		R	
	237Eh				R	
Year	237Fh			2000~2099		R
Month	2380h			1~12		R
Day	2381h			1~31		R
Hour	2382h			0~23		R
Minute	2383h			0~59		R
Second	2384h			0~59		R
Mb.I3.DM.MAX	2385h	0.000~9999.999A	Mb.I3 Maximum current demand and time stamp		R	
	2386h				R	
Year	2387h			2000~2099		R
Month	2388h			1~12		R
Day	2389h			1~31		R
Hour	238Ah			0~23		R
Minute	238Bh			0~59		R
Second	238Ch			0~59		R
Mb.I.AVG.DM.MAX	238Dh	0.000~9999.999A	Mb. Maximum average current demand and time stamp		R	
	238Eh				R	
Year	238Fh			2000~2099		R
Month	2390h			1~12		R
Day	2391h			1~31		R
Hour	2392h			0~23		R
Minute	2393h			0~59		R
Second	2394h			0~59		R
Mb.Pt.DM.MAX	2395h	-999999999~999999999W	Mb Maximum total active power demand and time stamp		R	
	2396h				R	
Year	2397h			2000~2099		R
Month	2398h			1~12		R
Day	2399h			1~31		R
Hour	239Ah			0~23		R
Minute	239Bh			0~59		R
Second	239Ch			0~59		R
Mb.Qt.DM.MAX	239Dh	-999999999~999999999VAR	Mb Maximum total reactive power demand and time stamp		R	
	239Eh				R	
Year	239Fh			2000~2099		R
Month	23A0h			1~12		R
Day	23A1h			1~31		R
Hour	23A2h			0~23		R
Minute	23A3h			0~59		R
Second	23A4h			0~59		R

## Mb MAX/MIN Values (Function code :03h):

※Reserved: 0

Parameter	Address	Range	Description	Default	Property	
Mb.St.DM.MAX	23A5h	0 ~ 999999999VA	Mb Maximum total apparent power demand and time stamp		R	
	23A6h				R	
Year	23A7h	2000~2099			R	
Month	23A8h	1~12			R	
Day	23A9h	1~31			R	
Hour	23AAh	0~23			R	
Minute	23ABh	0~59			R	
Second	23ACh	0~59			R	
Reserved	23ADh			Reservced		R
Reserved	23AEh			Reservced		R

Parameter	Address	Range	Description	Default	Property
Bb1.I	2400h	0.000~9999.999A	Bb1.I current(High Word)		R
	2401h		Bb1.I current(Low Word)		R
Bb2.I	2402h	0.000~9999.999A	Bb2.I current(High Word)		R
	2403h		Bb2.I current(Low Word)		R
Bb3.I	2404h	0.000~9999.999A	Bb3.I current(High Word)		R
	2405h		Bb3.I current(Low Word)		R
Bb1-3.I	2406h	0.000~9999.999A	Bb1-3.I average current(High Word)		R
	2407h		Bb1-3.I average current(Low Word)		R
Bb1.P	2408h	-999999999~999999999W	Bb1.P active power(High Word)		R
	2409h		Bb1.P active power(Low Word)		R
Bb2.P	240Ah	-999999999~999999999W	Bb2.P active power(High Word)		R
	240Bh		Bb2.P active power(Low Word)		R
Bb3.P	240Ch	-999999999~999999999W	Bb3.P active power(High Word)		R
	240Dh		Bb3.P active power(Low Word)		R
Bb1-3.P	240Eh	-999999999~999999999W	Bb1-3.P. total active power(High Word)		R
	240Fh		Bb1-3.P. total active power(Low Word)		R
Bb1.Q	2410h	-999999999~999999999VAR	Bb1.Q reactive power(High Word)		R
	2411h		Bb1.Q reactive power(Low Word)		R
Bb2.Q	2412h	-999999999~999999999VAR	Bb2.Q reactive power(High Word)		R
	2413h		Bb2.Q reactive power(Low Word)		R
Bb3.Q	2414h	-999999999~999999999VAR	Bb3.Q reactive power(High Word)		R
	2415h		Bb3.Q reactive power(Low Word)		R
Bb1-3.Q	2416h	-999999999~999999999VAR	Bb1-3.Q. total reactive power(High Word)		R
	2417h		Bb1-3.Q. total reactive power(Low Word)		R
Bb1.S	2418h	0~999999999VA	Bb1.S apparent power(High Word)		R
	2419h		Bb1.S apparent power(Low Word)		R
Bb2.S	241Ah	0~999999999VA	Bb2.S apparent power(High Word)		R
	241Bh		Bb2.S apparent power(Low Word)		R
Bb3.S	241Ch	0~999999999VA	Bb3.S apparent power(High Word)		R
	241Dh		Bb3.S apparent power(Low Word)		R
Bb1-3.S	241Eh	0~999999999VA	Bb1-3.S. total apparent power(High Word)		R
	241Fh		Bb1-3.S. total apparent power(Low Word)		R
Bb1.PF	2420h	-0.020~-/+1.000~0.020	Bb1.PF power factor		R
Bb2.PF	2421h	-0.020~-/+1.000~0.020	Bb2.PF power factor		R
Bb3.PF	2422h	-0.020~-/+1.000~0.020	Bb3.PF power factor		R
Bb1-3.PF	2423h	-0.020~-/+1.000~0.020	Bb1-3.PF average power factor		R
Bb1.I.DM	2424h	0.000~9999.999A	Bb1.I current demand(High Word)		R
	2425h		Bb1.I current demand(Low Word)		R
Bb2.I.DM	2426h	0.000~9999.999A	Bb2.I current demand(High Word)		R
	2427h		Bb2.I current demand(Low Word)		R
Bb3.I.DM	2428h	0.000~9999.999A	Bb3.I current demand(High Word)		R
	2429h		Bb3.I current demand(Low Word)		R
Bb1-3.I.DM	242Ah	0.000~9999.999A	Bb1-3 average current demand(High Word)		R
	242Bh		Bb1-3 average current demand(Low Word)		R
Bb1.P.DM	242Ch	-999999999~999999999W	Bb1.P active power demand(High Word)		R
	242Dh		Bb1.P active power demand(Low Word)		R
Bb2.P.DM	242Eh	-999999999~999999999W	Bb2.P active power demand(High Word)		R
	242Fh		Bb2.P active power demand(Low Word)		R
Bb3.P.DM	2430h	-999999999~999999999W	Bb3.P active power demand(High Word)		R
	2431h		Bb3.P active power demand(Low Word)		R
Bb1-3.P.DM	2432h	-999999999~999999999W	Bb1-3.P total active power demand(High Word)		R
	2433h		Bb1-3.P total active power demand(Low Word)		R
Bb1.Q.DM	2434h	-999999999~999999999VAR	Bb1.Q reactive power demand(High Word)		R
	2435h		Bb1.Q reactive power demand(Low Word)		R

Bb1-3 metering parameters reading (Function code : ) : ※Reserved : 0

Parameter	Address	Range	Description	Default	Property
Bb2.Q.DM	2436h	-999999999~999999999VAR	Bb2.Q reactive power demand(High Word)		R
	2437h		Bb2.Q reactive power demand(Low Word)		R
Bb3.Q.DM	2438h	-999999999~999999999VAR	Bb3.Q reactive power demand(High Word)		R
	2439h		Bb1.Q reactive power demand(Low Word)		R
Bb1-3.Q.DM	243Ah	-999999999~999999999VAR	Bb 1-3.Q total reactive power demand(High Word)		R
	243Bh		Bb 1-3.Q total reactive power demand(Low Word)		R
Bb1.S.DM	243Ch	0 ~ 999999999VA	Bb1.S apparent power demand(High Word)		R
	243Dh		Bb1.S apparent power demand(Low Word)		R
Bb2.S.DM	243Eh	0 ~ 999999999VA	Bb2.S apparent power demand(High Word)		R
	243Fh		Bb2.S apparent power demand(Low Word)		R
Bb3.S.DM	2440h	0 ~ 999999999VA	Bb3.S apparent power demand(High Word)		R
	2441h		Bb3.S apparent power demand(Low Word)		R
Bb1-3.S.DM	2442h	0 ~ 999999999VA	Bb 1-3.S total apparent power demand(High Word)		R
	2443h		Bb 1-3.S total apparent power demand(Low Word)		R
Bb1.AE.Imp	2444h	0.0~999999999.9kWh	Bb1 import active energy(High Word)		R
	2445h		Bb1 import active energy(Low Word)		R
Bb2.AE.Imp	2446h	0.0~999999999.9kWh	Bb2 import active energy(High Word)		R
	2447h		Bb2 import active energy(Low Word)		R
Bb3.AE.Imp	2448h	0.0~999999999.9kWh	Bb3 import active energy(High Word)		R
	2449h		Bb3 import active energy(Low Word)		R
Bb1-3.AE.Imp	244Ah	0.0~999999999.9kWh	Bb1-3 import total active energy(High Word)		R
	244Bh		Bb1-3 import total active energy(Low Word)		R
Bb1.RE.Imp	244Ch	0.0~999999999.9kVARh	Bb1 import reactive energy(High Word)		R
	244Dh		Bb1 import reactive energy(Low Word)		R
Bb2.RE.Imp	244Eh	0.0~999999999.9kVARh	Bb2 import reactive energy(High Word)		R
	244Fh		Bb2 import reactive energy(Low Word)		R
Bb3.RE.Imp	2450h	0.0~999999999.9kVARh	Bb3 import reactive energy(High Word)		R
	2451h		Bb3 import reactive energy(Low Word)		R
Bb1-3.RE.Imp	2452h	0.0~999999999.9kVARh	Bb1-3 import total reactive energy(High Word)		R
	2453h		Bb1-3 import total reactive energy(Low Word)		R
Bb1.SE	2454h	0.0~999999999.9kVAh	Bb1 apparent energy(High Word)		R
	2455h		Bb1 apparent energy(Low Word)		R
Bb2.SE	2456h	0.0~999999999.9kVAh	Bb2 apparent energy(High Word)		R
	2457h		Bb2 apparent energy(Low Word)		R
Bb3.SE	2458h	0.0~999999999.9kVAh	Bb3 apparent energy(High Word)		R
	2459h		Bb3 apparent energy(Low Word)		R
Bb1-3.SE	245Ah	0.0~999999999.9kVAh	Bb1-3 total apparent energy(High Word)		R
	245Bh		Bb1-3 total apparent energy(Low Word)		R
Reserved	245Ch		Reserved		R
Reserved	245Dh		Reserved		R

Bb1-3 THD of current reading( Function code :03h) : ※Reserved : 0

Parameter	Address	Range	Description	Default	Property
Bb1.I.THd	2468h	0.0~100.0%	Bb1.I THD		R
Bb2.I.THd	2469h	0.0~100.0%	Bb2.I THD		R
Bb3.I.THd	246Ah	0.0~100.0%	Bb3.I THD		R
Bb1-3.I.THd	246Bh	0.0~100.0%	Bb1-3.I.AVG.THd		R
Reserved	246Ch		Reserved		R
Reserved	246Dh		Reserved		R



Parameter	Address	Range	Description	Default	Property
Bb1.I.MAX	2478h	0.000~9999.999A	Bb1.I Maximum current	(High Word)	R
	2479h			(Low Word)	R
Year	247Ah	2000~2099	Year		R
Month	247Bh	1~12	Month		R
Day	247Ch	1~31	Day		R
Hour	247Dh	0~23	Hour		R
Minute	247Eh	0~59	Minute		R
Second	247Fh	0~59	Second		R
Bb2.I.MAX	2480h	0.000~9999.999A	Bb2.I Maximum current and time stamp		R
	2481h				R
Year	2482h	2000~2099			R
Month	2483h	1~12			R
Day	2484h	1~31			R
Hour	2485h	0~23			R
Minute	2486h	0~59			R
Second	2487h	0~59			R
Bb3.I.MAX	2488h	0.000~9999.999A		Bb3.I Maximum current and time stamp	
	2489h				R
Year	248Ah	2000~2099			R
Month	248Bh	1~12			R
Day	248Ch	1~31			R
Hour	248Dh	0~23			R
Minute	248Eh	0~59			R
Second	248Fh	0~59			R
Bb1-3.I.MAX	2490h	0.000~9999.999A	Bb1-3.I Maximum average current and time stamp		
	2491h				R
Year	2492h	2000~2099			R
Month	2493h	1~12			R
Day	2494h	1~31			R
Hour	2495h	0~23			R
Minute	2496h	0~59			R
Second	2497h	0~59			R
Bb1.P.MAX	2498h	-999999999~999999999W		Bb1.P Maximum active power and time stamp	
	2499h				R
Year	249Ah	2000~2099			R
Month	249Bh	1~12			R
Day	249Ch	1~31			R
Hour	249Dh	0~23			R
Minute	249Eh	0~59			R
Second	249Fh	0~59			R
Bb2.P.MAX	24A0h	-999999999~999999999W	Bb2.P Maximum active power and time stamp		
	24A1h				R
Year	24A2h	2000~2099			R
Month	24A3h	1~12			R
Day	24A4h	1~31			R
Hour	24A5h	0~23			R
Minute	24A6h	0~59			R
Second	24A7h	0~59			R
Bb3.P.MAX	24A8h	-999999999~999999999W		Bb3.P Maximum active power and time stamp	
	24A9h				R
Year	24AAh	2000~2099			R
Month	24ABh	1~12			R
Day	24ACh	1~31			R
Hour	24ADh	0~23			R
Minute	24AEh	0~59			R
Second	24AFh	0~59			R

Parameter	Address	Range	Description	Default	Property	
Bb1-3.P.MAX	24B0h	-999999999~999999999W	Bb1-3.P.SUM Maximum total active power and time stamp		R	
	24B1h				R	
Year	24B2h	2000~2099			R	
Month	24B3h	1~12			R	
Day	24B4h	1~31			R	
Hour	24B5h	0~23			R	
Minute	24B6h	0~59			R	
Second	24B7h	0~59			R	
Bb1.Q.MAX	24B8h	-999999999~999999999VAR		Bb1.Q Maximum reactive power and time stamp		R
	24B9h					R
Year	24Bbh	2000~2099			R	
Month	24BBh	1~12			R	
Day	24BCh	1~31			R	
Hour	24BDh	0~23			R	
Minute	24BEh	0~59			R	
Second	24BFh	0~59			R	
Bb2.Q.MAX	24C0h	999999999~999999999VAR	Bb2.Q Maximum reactive power and time stamp		R	
	24C1h				R	
Year	24C2h	2000~2099			R	
Month	24C3h	1~12			R	
Day	24C4h	1~31			R	
Hour	24C5h	0~23			R	
Minute	24C6h	0~59			R	
Second	24C7h	0~59			R	
Bb3.Q.MAX	24C8h	999999999~999999999VAR	Bb3.Q Maximum reactive power and time stamp		R	
	24C9h				R	
Year	24CAh	2000~2099			R	
Month	24CBh	1~12			R	
Day	24CCh	1~31			R	
Hour	24CDh	0~23			R	
Minute	24CEh	0~59			R	
Second	24CFh	0~59			R	
Bb1-3.Q.MAX	24D0h	-999999999~999999999VAR	Bb1-3.Q SUM Maximum total reactive power and time stamp		R	
	24D1h				R	
Year	24D2h	2000~2099			R	
Month	24D3h	1~12			R	
Day	24D4h	1~31			R	
Hour	24D5h	0~23			R	
Minute	24D6h	0~59			R	
Second	24D7h	0~59			R	
Bb1.S.MAX	24D8h	0 ~ 999999999VA	Bb1.S Maximum apparent power and time stamp		R	
	24D9h				R	
Year	24DAh	2000~2099			R	
Month	24DBh	1~12			R	
Day	24DCh	1~31			R	
Hour	24DDh	0~23			R	
Minute	24DEh	0~59			R	
Second	24DFh	0~59			R	
Bb2.S.MAX	24E0h	0 ~ 999999999VA	Bb2.S Maximum apparent power and time stamp		R	
	24E1h				R	
Year	24E2h	2000~2099			R	
Month	24E3h	1~12			R	
Day	24E4h	1~31			R	
Hour	24E5h	0~23			R	
Minute	24E6h	0~59			R	
Second	24E7h	0~59			R	

Parameter	Address	Range	Description	Default	Property
Bb3.S.MAX	24E8h	0 ~ 999999999VA	Bb3.S Maximum apparent power and time stamp		R
	24E9h				R
Year	24EAh	2000~2099			R
Month	24EBh	1~12			R
Day	24ECh	1~31			R
Hour	24EDh	0~23			R
Minute	24EEh	0~59			R
Second	24EFh	0~59			R
Bb1-3.S.MAX	24F0h	0 ~ 999999999VA		Bb1-3.S.SUM Maximum total apparent power and time stamp	
	24F1h				R
Year	24F2h	2000~2099			R
Month	24F3h	1~12			R
Day	24F4h	1~31			R
Hour	24F5h	0~23			R
Minute	24F6h	0~59			R
Second	24F7h	0~59			R
Bb1.PF.MAX	24F8h	-1.000~1.000	Bb1.PF Maximum power factor and time stamp		
Year	24F9h	2000~2099			R
Month	24FAh	1~12			R
Day	24FBh	1~31			R
Hour	24FCh	0~23			R
Minute	24FDh	0~59			R
Second	24FEh	0~59			R
Bb2.PF.MAX	24FFh	-1.000~1.000	Bb2.PF Maximum power factor and time stamp		R
Year	2500h	2000~2099			R
Month	2501h	1~12			R
Day	2502h	1~31			R
Hour	2503h	0~23			R
Minute	2504h	0~59			R
Second	2505h	0~59			R
Bb3.PF.MAX	2506h	-1.000~1.000	Bb3.PF Maximum power factor and time stamp		R
Year	2507h	2000~2099			R
Month	2508h	1~12			R
Day	2509h	1~31			R
Hour	250Ah	0~23			R
Minute	250Bh	0~59			R
Second	250Ch	0~59			R
Bb1-3.PF.MAX	250Dh	-1.000~1.000	Bb1-3.PF Maximum average power factor and time stamp		R
Year	250Eh	2000~2099			R
Month	250Fh	1~12			R
Day	2510h	1~31			R
Hour	2511h	0~23			R
Minute	2512h	0~59			R
Second	2513h	0~59			R
Bb1.I.THD.MAX	2514h		Bb1.I Maximum total harmonic distortion for current and time stamp		R
Year	2515h	2000~2099			R
Month	2516h	1~12			R
Day	2517h	1~31			R
Hour	2518h	0~23			R
Minute	2519h	0~59			R
Second	251Ah	0~59			R
Bb2.I.THD.MAX	251Bh		Bb2.I Maximum total harmonic distortion for current and time stamp		R
Year	251Ch	2000~2099			R
Month	251Dh	1~12			R
Day	251Eh	1~31			R
Hour	251Fh	0~23			R
Minute	2520h	0~59			R
Second	2521h	0~59			R

## Bb1-3 MAX Values (Function code :03h):

※Reserved : 0

Parameter	Address	Range	Description	Default	Property	
Bb3.I.THD.MAX	2522h		Bb3.I Maximum total harmonic distortion for current and time stamp		R	
Year	2523h	2000~2099			R	
Month	2524h	1~12			R	
Day	2525h	1~31			R	
Hour	2526h	0~23			R	
Minute	2527h	0~59			R	
Second	2528h	0~59			R	
Bb1-3.I.THD.MAX	2529h			Bb1-3.I Maximum average total harmonic distortion for current and time stamp		R
Year	252Ah	2000~2099			R	
Month	252Bh	1~12			R	
Day	252Ch	1~31			R	
Hour	252Dh	0~23			R	
Minute	252Eh	0~59			R	
Second	252Fh	0~59			R	
Bb1.I.DM.MAX	2530h	0.000~9999.999A	Bb1.I Maximum current demand and time stamp			R
	2531h				R	
Year	2532h			2000~2099		R
Month	2533h			1~12		R
Day	2534h			1~31		R
Hour	2535h			0~23		R
Minute	2536h			0~59		R
Second	2537h			0~59		R
Bb2.I.DM.MAX	2538h	0.000~9999.999A	Bb2.I Maximum current demand and time stamp		R	
	2539h				R	
Year	253Ah			2000~2099		R
Month	253Bh			1~12		R
Day	253Ch			1~31		R
Hour	253Dh			0~23		R
Minute	253Eh			0~59		R
Second	253Fh			0~59		R
Bb3.I.DM.MAX	2540h	0.000~9999.999A	Bb3.I Maximum current demand and time stamp		R	
	2541h				R	
Year	2542h			2000~2099		R
Month	2543h			1~12		R
Day	2544h			1~31		R
Hour	2545h			0~23		R
Minute	2546h			0~59		R
Second	2547h			0~59		R
Bb1-3.I.DM.MAX	2548h	0.000~9999.999A	Bb1-3.I Maximum average current demand and time stamp		R	
	2549h				R	
Year	254Ah			2000~2099		R
Month	254Bh			1~12		R
Day	254Ch			1~31		R
Hour	254Dh			0~23		R
Minute	254Eh			0~59		R
Second	254Fh			0~59		R
Bb1.P.DM.MAX	2550h	-999999999~999999999W	Bb1.P Maximum active power demand and time stamp		R	
	2551h				R	
Year	2552h			2000~2099		R
Month	2553h			1~12		R
Day	2554h			1~31		R
Hour	2555h			0~23		R
Minute	2556h			0~59		R
Second	2557h			0~59		R

## Bb1-3 MAX Values (Function code :03h):

※Reserved : 0

Parameter	Address	Range	Description	Default	Property	
Bb2.P.DM.MAX	2558h	-999999999~999999999W	Bb2.P Maximum active power demand and time stamp		R	
	2559h				R	
Year	255Ah	2000~2099			R	
Month	255Bh	1~12			R	
Day	255Ch	1~31			R	
Hour	255Dh	0~23			R	
Minute	255Eh	0~59			R	
Second	255Fh	0~59			R	
Bb3.P.DM.MAX	2560h	-999999999~999999999W		Bb3.P Maximum active power demand and time stamp		R
	2561h					R
Year	2562h	2000~2099			R	
Month	2563h	1~12			R	
Day	2564h	1~31			R	
Hour	2565h	0~23			R	
Minute	2566h	0~59			R	
Second	2567h	0~59			R	
Bb1-3.P.DM.MAX	2568h	-999999999~999999999W	Bb1-3.P Maximum total active power demand and time stamp		R	
	2569h				R	
Year	256Ah	2000~2099			R	
Month	256Bh	1~12			R	
Day	256Ch	1~31			R	
Hour	256Dh	0~23			R	
Minute	256Eh	0~59			R	
Second	256Fh	0~59			R	
Bb1.Q.DM.MAX	2570h	-999999999~999999999VAR	Bb1.Q Maximum reactive power demand and time stamp		R	
	2571h				R	
Year	2572h	2000~2099			R	
Month	2573h	1~12			R	
Day	2574h	1~31			R	
Hour	2575h	0~23			R	
Minute	2576h	0~59			R	
Second	2577h	0~59			R	
Bb2.Q.DM.MAX	2578h	-999999999~999999999VAR	Bb2.Q Maximum reactive power demand and time stamp		R	
	2579h				R	
Year	257Ah	2000~2099			R	
Month	257Bh	1~12			R	
Day	257Ch	1~31			R	
Hour	257Dh	0~23			R	
Minute	257Eh	0~59			R	
Second	257Fh	0~59			R	
Bb3.Q.DM.MAX	2580h	-999999999~999999999VAR	Bb3.Q Maximum reactive power demand and time stamp		R	
	2581h				R	
Year	2582h	2000~2099			R	
Month	2583h	1~12			R	
Day	2584h	1~31			R	
Hour	2585h	0~23			R	
Minute	2586h	0~59			R	
Second	2587h	0~59			R	
Bb1-3.Q.DM.MAX	2588h	-999999999~999999999VAR	Bb1-3.Q Maximum total reactive power demand and time stamp		R	
	2589h				R	
Year	258Ah	2000~2099			R	
Month	258Bh	1~12			R	
Day	258Ch	1~31			R	
Hour	258Dh	0~23			R	
Minute	258Eh	0~59			R	
Second	258Fh	0~59			R	

## Bb1-3 MAX Values (Function code :03h):

※Reserved : 0

Parameter	Address	Range	Description	Default	Property
Bb1.S.DM.MAX	2590h	-999999999~999999999VA	Bb1.S Maximum apparent power demand and time stamp		R
	2591h				R
Year	2592h	2000~2099			R
Month	2593h	1~12			R
Day	2594h	1~31			R
Hour	2595h	0~23			R
Minute	2596h	0~59			R
Second	2597h	0~59			R
Bb2.S.DM.MAX	2598h	-999999999~999999999VA		Bb2.S Maximum apparent power demand and time stamp	
	2599h				R
Year	259Ah	2000~2099			R
Month	259Bh	1~12			R
Day	259Ch	1~31			R
Hour	259Dh	0~23			R
Minute	259Eh	0~59			R
Second	259Fh	0~59			R
Bb3.S.DM.MAX	25A0h	-999999999~999999999VA	Bb3.S Maximum apparent power demand and time stamp		
	25A1h				R
Year	25A2h	2000~2099			R
Month	25A3h	1~12			R
Day	25A4h	1~31			R
Hour	25A5h	0~23			R
Minute	25A6h	0~59			R
Second	25A7h	0~59			R
Bb1-3.S.DM.MAX	25A8h	-999999999~999999999VA		Bb1-3.S Maximum total apparent power demand and time stamp	
	25A9h				R
Year	25AAh	2000~2099			R
Month	25ABh	1~12			R
Day	25ACh	1~31			R
Hour	25ADh	0~23			R
Minute	25AEh	0~59			R
Second	25AFh	0~59			R
Reserved	25B0h		Resvered		
Reserved	25B1h		Resvered		R

Parameter	Address	Range	Description	Default	Property
Bb4.I	2700h	0.000~9999.999A	Bb4.Icurrent(High Word)		R
	2701h		Bb4.Icurrent(Low Word)		R
Bb5.I	2702h	0.000~9999.999A	Bb5.Icurrent(High Word)		R
	2703h		Bb5.Icurrent(Low Word)		R
Bb6.I	2704h	0.000~9999.999A	Bb6.Icurrent(High Word)		R
	2705h		Bb6.Icurrent(Low Word)		R
Bb4-6.I	2706h	0.000~9999.999A	Bb4-6.I average current(High Word)		R
	2707h		Bb4-6.I average current(Low Word)		R
Bb4.P	2708h	-999999999~999999999W	Bb4.Pactive power(High Word)		R
	2709h		Bb4.Pactive power(Low Word)		R
Bb5.P	270Ah	-999999999~999999999W	Bb5.Pactive power(High Word)		R
	270Bh		Bb5.Pactive power(Low Word)		R
Bb6.P	270Ch	-999999999~999999999W	Bb6.P active power(High Word)		R
	270Dh		Bb6.P active power(Low Word)		R
Bb4-6.P	270Eh	-999999999~999999999W	Bb4-6.P. total active power(High Word)		R
	270Fh		Bb4-6.P. total active power(Low Word)		R
Bb4.Q	2710h	999999999~999999999VAR	Bb4.Q reactive power(High Word)		R
	2711h		Bb4.Q reactive power(Low Word)		R
Bb5.Q	2712h	999999999~999999999VAR	Bb5.Q reactive power(High Word)		R
	2713h		Bb5.Q reactive power(Low Word)		R
Bb6.Q	2714h	999999999~999999999VAR	Bb6.Q reactive power(High Word)		R
	2715h		Bb6.Q reactive power(Low Word)		R
Bb4-6.Q	2716h	999999999~999999999VAR	Bb4-6.Q. total reactive power(High Word)		R
	2717h		Bb4-6.Q. total reactive power(Low Word)		R
Bb4.S	2718h	0~999999999VA	Bb4.S apparent power(High Word)		R
	2719h		Bb4.S apparent power(Low Word)		R
Bb5.S	271Ah	0~999999999VA	Bb5.S apparent power(High Word)		R
	271Bh		Bb5.S apparent power(Low Word)		R
Bb6.S	271Ch	0~999999999VA	Bb6.S apparent power(High Word)		R
	271Dh		Bb6.S apparent power(Low Word)		R
Bb4-6.S	271Eh	0~999999999VA	Bb4-6.S. total apparent power(High Word)		R
	271Fh		Bb4-6.S. total apparent power(Low Word)		R
Bb4.PF	2720h	-0.020~-/+1.000~0.020	Bb4.PFpower factor		R
Bb5.PF	2721h	-0.020~-/+1.000~0.020	Bb5.PFpower factor		R
Bb6.PF	2722h	-0.020~-/+1.000~0.020	Bb6.PFpower factor		R
Bb4-6.PF	2723h	-0.020~-/+1.000~0.020	Bb4-6.PF average power factor		R
Bb4.I.DM	2724h	0.000~9999.999A	Bb4.I current demand(High Word)		R
	2725h		Bb4.I current demand(Low Word)		R
Bb5.I.DM	2726h	0.000~9999.999A	Bb5.I current demand(High Word)		R
	2727h		Bb5.I current demand(Low Word)		R
Bb6.I.DM	2728h	0.000~9999.999A	Bb6.I current demand(High Word)		R
	2729h		Bb6.I current demand(Low Word)		R
Bb4-6.I.DM	272Ah	0.000~9999.999A	Bb4-6 average current demand(High Word)		R
	272Bh		Bb4-6average current demand(Low Word)		R
Bb4.P.DM	272Ch	-999999999~999999999W	Bb4.P active power demand(High Word)		R
	272Dh		Bb4.P active power demand(Low Word)		R
Bb5.P.DM	272Eh	-999999999~999999999W	Bb5.P active power demand(High Word)		R
	272Fh		Bb5.P active power demand(Low Word)		R
Bb6.P.DM	2730h	-999999999~999999999W	Bb6.P active power demand(High Word)		R
	2731h		Bb6.P active power demand(Low Word)		R
Bb4-6.P.DM	2732h	-999999999~999999999W	Bb4-6.Ptotal active power demand(High Word)		R
	2733h		Bb4-6.Ptotal active power demand(Low Word)		R
Bb4.Q.DM	2734h	999999999~999999999VAR	Bb4.Q reactive power demand(High Word)		R
	2735h		Bb4.Qreactive power demand(Low Word)		R
Bb5.Q.DM	2736h	999999999~999999999VAR	Bb5.Qreactive power demand(High Word)		R
	2737h		Bb5.Qreactive power demand(Low Word)		R

Bb4-6metering parameters reading (Function code : ): ※Reserved : 0

Parameter	Address	Range	Description	Default	Property
Bb6.Q.DM	2738h	-999999999~999999999VAR	Bb6.Q reactive power demand(High Word)		R
	2739h		Bb4.Q reactive power demand(Low Word)		R
Bb4-6.Q.DM	273Ah	-999999999~999999999VAR	Bb4-6.Q total reactive power demand(High Word)		R
	273Bh		Bb4-6.Q total reactive power demand(Low Word)		R
Bb4.S.DM	273Ch	0 ~ 999999999VA	Bb4.S apparent power demand(High Word)		R
	273Dh		Bb4.S apparent power demand(Low Word)		R
Bb5.S.DM	273Eh	0 ~ 999999999VA	Bb5.S apparent power demand(High Word)		R
	273Fh		Bb5.S apparent power demand(Low Word)		R
Bb6.S.DM	2740h	0 ~ 999999999VA	Bb6.S apparent power demand(High Word)		R
	2741h		Bb6.S apparent power demand(Low Word)		R
Bb4-6.S.DM	2742h	0 ~ 999999999VA	Bb4-6.Stotal apparent power demand(High Word)		R
	2743h		Bb4-6.Stotal apparent power demand(Low Word)		R
Bb4.AE.Imp	2744h	0.0~999999999.9kWh	Bb4 import active energy(High Word)		R
	2745h		Bb4 import active energy(Low Word)		R
Bb5.AE.Imp	2746h	0.0~999999999.9kWh	Bb5 import active energy(High Word)		R
	2747h		Bb5 import active energy(Low Word)		R
Bb6.AE.Imp	2748h	0.0~999999999.9kWh	Bb6 import active energy(High Word)		R
	2749h		Bb6 import active energy(Low Word)		R
Bb4-6.AE.Imp	274Ah	0.0~999999999.9kWh	Bb4-6 import total active energy(High Word)		R
	274Bh		Bb4-6 import total active energy(Low Word)		R
Bb4.RE.Imp	274Ch	0.0~999999999.9kVARh	Bb4 import reactive energy(High Word)		R
	274Dh		Bb4 import reactive energy(Low Word)		R
Bb5.RE.Imp	274Eh	0.0~999999999.9kVARh	Bb5 import reactive energy(High Word)		R
	274Fh		Bb5 import reactive energy(Low Word)		R
Bb6.RE.Imp	2750h	0.0~999999999.9kVARh	Bb6 import reactive energy(High Word)		R
	2751h		Bb6 import reactive energy(Low Word)		R
Bb4-6.RE.Imp	2752h	0.0~999999999.9kVARh	Bb4-6 import total reactive energy(High Word)		R
	2753h		Bb4-6 import total reactive energy(Low Word)		R
Bb4.SE	2754h	0.0~999999999.9kVAh	Bb4 apparent energy(High Word)		R
	2755h		Bb4 apparent energy(Low Word)		R
Bb5.SE	2756h	0.0~999999999.9kVAh	Bb5 apparent energy(High Word)		R
	2757h		Bb5 apparent energy(Low Word)		R
Bb6.SE	2758h	0.0~999999999.9kVAh	Bb6 apparent energy(High Word)		R
	2759h		Bb6 apparent energy(Low Word)		R
Bb4-6.SE	275Ah	0.0~999999999.9kVAh	Bb4-6 total apparent energy(High Word)		R
	275Bh		Bb4-6 total apparent energy(Low Word)		R
Reserved	275Ch		Reserved		R
Reserved	275Dh		Reserved		R

Ba4-6 THD of current reading( Function code :03h ): ※Reserved : 0

Parameter	Address	Range	Description	Default	Property
Bb4.I.THd	2768h	0.0~100.0%	Bb4.ITHD		R
Bb5.I.THd	2769h	0.0~100.0%	Bb5.ITHD		R
Bb6.I.THd	276Ah	0.0~100.0%	Bb6.ITHD		R
Bb4-6.I.THd	276Bh	0.0~100.0%	Bb4-6.IAVGTHD		R
Reserved	276Ch		Reserved		R
Reserved	276Dh		Reserved		R



Parameter	Address	Range	Description	Default	Property
Bb4.I.MAX	2778h	0.000~9999.999A	Bb4.I Maximum current	(High Word)	R
	2779h			(Low Word)	R
Year	277Ah	2000~2099	Year		R
Month	277Bh	1~12	Month		R
Day	277Ch	1~31	Day		R
Hour	277Dh	0~23	Hour		R
Minute	277Eh	0~59	Minute		R
Second	277Fh	0~59	Second		R
Bb5.I.MAX	2780h	0.000~9999.999A	Bb5.I Maximum current and time stamp		R
	2781h				R
Year	2782h	2000~2099			R
Month	2783h	1~12			R
Day	2784h	1~31			R
Hour	2785h	0~23			R
Minute	2786h	0~59			R
Second	2787h	0~59			R
Bb6.I.MAX	2788h	0.000~9999.999A		Bb6.I Maximum current and time stamp	
	2789h				R
Year	278Ah	2000~2099			R
Month	278Bh	1~12			R
Day	278Ch	1~31			R
Hour	278Dh	0~23			R
Minute	278Eh	0~59			R
Second	278Fh	0~59			R
Bb4-6.I.MAX	2790h	0.000~9999.999A	Bb4-6.I Maximum average current and time stamp		R
	2791h				R
Year	2792h	2000~2099			R
Month	2793h	1~12			R
Day	2794h	1~31			R
Hour	2795h	0~23			R
Minute	2796h	0~59			R
Second	2797h	0~59			R
Bb4.P.MAX	2798h	-999999999~999999999W	Bb4.P Maximum active power and time stamp		R
	2799h				R
Year	279Ah	2000~2099			R
Month	279Bh	1~12			R
Day	279Ch	1~31			R
Hour	279Dh	0~23			R
Minute	279Eh	0~59			R
Second	279Fh	0~59			R
Bb5.P.MAX	27A0h	-999999999~999999999W	Bb5.P Maximum active power and time stamp		R
	27A1h				R
Year	27A2h	2000~2099			R
Month	27A3h	1~12			R
Day	27A4h	1~31			R
Hour	27A5h	0~23			R
Minute	27A6h	0~59			R
Second	27A7h	0~59			R
Bb6.P.MAX	27A8h	-999999999~999999999W	Bb6.P Maximum active power and time stamp		R
	27A9h				R
Year	27AAh	2000~2099			R
Month	27ABh	1~12			R
Day	27ACh	1~31			R
Hour	27ADh	0~23			R
Minute	27AEh	0~59			R
Second	27AFh	0~59			R

Parameter	Address	Range	Description	Default	Property		
Bb4-6.P.MAX	27B0h	-999999999~999999999W	Bb4-6.P.SUM Maximum total active power and time stamp		R		
	27B1h				R		
Year	27B2h	2000~2099			R		
Month	27B3h	1~12			R		
Day	27B4h	1~31			R		
Hour	27B5h	0~23			R		
Minute	27B6h	0~59			R		
Second	27B7h	0~59			R		
Bb4.Q.MAX	27B8h	-999999999~999999999VAR			Bb4.Q Maximum reactive power and time stamp		R
	27B9h						R
Year	27BAh	2000~2099	R				
Month	27BBh	1~12	R				
Day	27BCh	1~31	R				
Hour	27BDh	0~23	R				
Minute	27BEh	0~59	R				
Second	27BFh	0~59	R				
Bb5.Q.MAX	27C0h	-999999999~999999999VAR	Bb5.Q Maximum reactive power and time stamp		R		
	27C1h				R		
Year	27C2h	2000~2099			R		
Month	27C3h	1~12			R		
Day	27C4h	1~31			R		
Hour	27C5h	0~23			R		
Minute	27C6h	0~59			R		
Second	27C7h	0~59			R		
Bb6.Q.MAX	27C8h	-999999999~999999999VAR	Bb6.Q Maximum reactive power and time stamp		R		
	27C9h				R		
Year	27CAh	2000~2099			R		
Month	27CBh	1~12			R		
Day	27CCh	1~31			R		
Hour	27CDh	0~23			R		
Minute	27CEh	0~59			R		
Second	27CFh	0~59			R		
Bb4-6.Q.MAX	27D0h	-999999999~999999999VAR	Bb4-6.Q.SUM Maximum total reactive power and time stamp		R		
	27D1h				R		
Year	27D2h	2000~2099			R		
Month	27D3h	1~12			R		
Day	27D4h	1~31			R		
Hour	27D5h	0~23			R		
Minute	27D6h	0~59			R		
Second	27D7h	0~59			R		
Bb4.S.MAX	27D8h	0 ~ 999999999VA	Bb4.S Maximum apparent power and time stamp		R		
	27D9h				R		
Year	27DAh	2000~2099			R		
Month	27DBh	1~12			R		
Day	27DCh	1~31			R		
Hour	27DDh	0~23			R		
Minute	27DEh	0~59			R		
Second	27DFh	0~59			R		
Bb5.S.MAX	27E0h	0 ~ 999999999VA	Bb5.S Maximum apparent power and time stamp		R		
	27E1h				R		
Year	27E2h	2000~2099			R		
Month	27E3h	1~12			R		
Day	27E4h	1~31			R		
Hour	27E5h	0~23			R		
Minute	27E6h	0~59			R		
Second	27E7h	0~59			R		

Parameter	Address	Range	Description	Default	Property	
Bb6.S.MAX	27E8h	0 ~ 999999999VA	Bb6.S Maximum apparent power and time stamp		R	
	27E9h				R	
Year	27EAh	2000~2099			R	
Month	27EBh	1~12			R	
Day	27ECh	1~31			R	
Hour	27EDh	0~23			R	
Minute	27EEh	0~59			R	
Second	27EFh	0~59			R	
Bb4-6.S.MAX	27F0h	0 ~ 999999999VA		Bb4-6.S.SUM Maximum total apparent power and time stamp		R
	27F1h					R
Year	27F2h	2000~2099			R	
Month	27F3h	1~12			R	
Day	27F4h	1~31			R	
Hour	27F5h	0~23			R	
Minute	27F6h	0~59			R	
Second	27F7h	0~59			R	
Bb4.PF.MAX	27F8h	-1.000~1.000	Bb4.PF Maximum power factor and time stamp			R
Year	27F9h	2000~2099				R
Month	27FAh	1~12			R	
Day	27FBh	1~31			R	
Hour	27FCh	0~23			R	
Minute	27FDh	0~59			R	
Second	27FEh	0~59			R	
Bb5.PF.MAX	27FFh	-1.000~1.000	Bb5.PF Maximum power factor and time stamp		R	
Year	2800h	2000~2099			R	
Month	2801h	1~12			R	
Day	2802h	1~31			R	
Hour	2803h	0~23			R	
Minute	2804h	0~59			R	
Second	2805h	0~59			R	
Bb6.PF.MAX	2806h	-1.000~1.000	Bb6.PF Maximum power factor and time stamp		R	
Year	2807h	2000~2099			R	
Month	2808h	1~12			R	
Day	2809h	1~31			R	
Hour	280Ah	0~23			R	
Minute	280Bh	0~59			R	
Second	280Ch	0~59			R	
Bb4-6.PF.MAX	280Dh	-1.000~1.000	Bb4-6.PF Maximum average power factor and time stamp		R	
Year	280Eh	2000~2099			R	
Month	280Fh	1~12			R	
Day	2810h	1~31			R	
Hour	2811h	0~23			R	
Minute	2812h	0~59			R	
Second	2813h	0~59			R	
Bb4.I.TH.D.MAX	2814h		Bb4.I Maximum total harmonic distortion for current and time stamp		R	
Year	2815h	2000~2099			R	
Month	2816h	1~12			R	
Day	2817h	1~31			R	
Hour	2818h	0~23			R	
Minute	2819h	0~59			R	
Second	281Ah	0~59			R	
Bb5.I.TH.D.MAX	281Bh		Bb5.I Maximum total harmonic distortion for current and time stamp		R	
Year	281Ch	2000~2099			R	
Month	281Dh	1~12			R	
Day	281Eh	1~31			R	
Hour	281Fh	0~23			R	
Minute	2820h	0~59			R	
Second	2821h	0~59			R	

Parameter	Address	Range	Description	Default	Property
Bb6.I.THD.MAX	2822h		Bb6.I Maximum total harmonic distortion for current and time stamp		R
Year	2823h	2000~2099			R
Month	2824h	1~12			R
Day	2825h	1~31			R
Hour	2826h	0~23			R
Minute	2827h	0~59			R
Second	2828h	0~59			R
Bb4-6.I.THD.MAX	2829h			Bb4-6.I Maximum total harmonic distortion for average current and time stamp	
Year	282Ah	2000~2099			R
Month	282Bh	1~12			R
Day	282Ch	1~31			R
Hour	282Dh	0~23			R
Minute	282Eh	0~59			R
Second	282Fh	0~59			R
Bb4.I.DM.MAX	2830h	0.000~9999.999A	Bb4.I Maximum current demand and time stamp		
	2831h				R
Year	2832h	2000~2099			R
Month	2833h	1~12			R
Day	2834h	1~31			R
Hour	2835h	0~23			R
Minute	2836h	0~59			R
Second	2837h	0~59			R
Bb5.I.DM.MAX	2838h	0.000~9999.999A	Bb5.I Maximum current demand and time stamp		R
	2839h				R
Year	283Ah	2000~2099			R
Month	283Bh	1~12			R
Day	283Ch	1~31			R
Hour	283Dh	0~23			R
Minute	283Eh	0~59			R
Second	283Fh	0~59			R
Bb6.I.DM.MAX	2840h	0.000~9999.999A	Bb6.I Maximum current demand and time stamp		R
	2841h				R
Year	2842h	2000~2099			R
Month	2843h	1~12			R
Day	2844h	1~31			R
Hour	2845h	0~23			R
Minute	2846h	0~59			R
Second	2847h	0~59			R
Bb4-6.I.DM.MAX	2848h	0.000~9999.999A	Bb4-6.I Maximum average current demand and time stamp		R
	2849h				R
Year	284Ah	2000~2099			R
Month	284Bh	1~12			R
Day	284Ch	1~31			R
Hour	284Dh	0~23			R
Minute	284Eh	0~59			R
Second	284Fh	0~59			R
Bb4.P.DM.MAX	2850h	-999999999~999999999W	Bb4.P Maximum active power demand and time stamp		R
	2851h				R
Year	2852h	2000~2099			R
Month	2853h	1~12			R
Day	2854h	1~31			R
Hour	2855h	0~23			R
Minute	2856h	0~59			R
Second	2857h	0~59			R

Parameter	Address	Range	Description	Default	Property		
Bb5.P.DM.MAX	2858h	-999999999~999999999W	Bb5.P Maximum active power demand and time stamp		R		
	2859h				R		
Year	285Ah	2000~2099			R		
Month	285Bh	1~12			R		
Day	285Ch	1~31			R		
Hour	285Dh	0~23			R		
Minute	285Eh	0~59			R		
Second	285Fh	0~59			R		
Bb6.P.DM.MAX	2860h	-999999999~999999999W			Bb6.P Maximum active power demand and time stamp		R
	2861h						R
Year	2862h	2000~2099	R				
Month	2863h	1~12	R				
Day	2864h	1~31	R				
Hour	2865h	0~23	R				
Minute	2866h	0~59	R				
Second	2867h	0~59	R				
Bb4-6.P.DM.MAX	2868h	-999999999~999999999W	Bb4-6.P Maximum total active power demand and time stamp		R		
	2869h				R		
Year	286Ah	2000~2099			R		
Month	286Bh	1~12			R		
Day	286Ch	1~31			R		
Hour	286Dh	0~23			R		
Minute	286Eh	0~59			R		
Second	286Fh	0~59			R		
Bb4.Q.DM.MAX	2870h	-999999999~999999999VAR	Bb4.Q Maximum reactive power demand and time stamp		R		
	2871h				R		
Year	2872h	2000~2099			R		
Month	2873h	1~12			R		
Day	2874h	1~31			R		
Hour	2875h	0~23			R		
Minute	2876h	0~59			R		
Second	2877h	0~59			R		
Bb5.Q.DM.MAX	2878h	-999999999~999999999VAR	Bb5.Q Maximum reactive power demand and time stamp		R		
	2879h				R		
Year	287Ah	2000~2099			R		
Month	287Bh	1~12			R		
Day	287Ch	1~31			R		
Hour	287Dh	0~23			R		
Minute	287Eh	0~59			R		
Second	287Fh	0~59			R		
Bb6.Q.DM.MAX	2880h	-999999999~999999999VAR	Bb6.Q Maximum reactive power demand and time stamp		R		
	2881h				R		
Year	2882h	2000~2099			R		
Month	2883h	1~12			R		
Day	2884h	1~31			R		
Hour	2885h	0~23			R		
Minute	2886h	0~59			R		
Second	2887h	0~59			R		
Bb4-6.Q.DM.MAX	2888h	-999999999~999999999VAR	Bb4-6.Q Maximum total reactive power demand and time stamp		R		
	2889h				R		
Year	288Ah	2000~2099			R		
Month	288Bh	1~12			R		
Day	288Ch	1~31			R		
Hour	288Dh	0~23			R		
Minute	288Eh	0~59			R		
Second	288Fh	0~59			R		

Parameter	Address	Range	Description	Default	Property
Bb4.S.DM.MAX	2890h	-999999999~999999999VA	Bb4.S Maximum apparent power demand and time stamp		R
	2891h				R
Year	2892h	2000~2099			R
Month	2893h	1~12			R
Day	2894h	1~31			R
Hour	2895h	0~23			R
Minute	2896h	0~59			R
Second	2897h	0~59			R
Bb5.S.DM.MAX	2898h	-999999999~999999999VA			Bb5.S Maximum apparent power demand and time stamp
	2899h		R		
Year	289Ah	2000~2099	R		
Month	289Bh	1~12	R		
Day	289Ch	1~31	R		
Hour	289Dh	0~23	R		
Minute	289Eh	0~59	R		
Second	289Fh	0~59	R		
Bb6.S.DM.MAX	28A0h	-999999999~999999999VA	Bb6.S Maximum apparent power demand and time stamp		
	28A1h				R
Year	28A2h	2000~2099			R
Month	28A3h	1~12			R
Day	28A4h	1~31			R
Hour	28A5h	0~23			R
Minute	28A6h	0~59			R
Second	28A7h	0~59			R
Bb4-6.S.DM.MAX	28A8h	-999999999~999999999VA			Bb4-6.S Maximum total apparent power demand and time stamp
	28A9h		R		
Year	28AAh	2000~2099	R		
Month	28ABh	1~12	R		
Day	28ACh	1~31	R		
Hour	28ADh	0~23	R		
Minute	28AEh	0~59	R		
Second	28AFh	0~59	R		
Reserved	28B0h		Resvered		
Reserved	28B1h		Resvered		R

Bb7-9metering parameters reading (Function code : 03h) : ※Reserved : 0

Parameter	Address	Range	Description	Default	Property
Bb7.I	2A00h	0.000-9999.999A	Bb7.I current(High Word)		R
	2A01h		Bb7.I current(Low Word)		R
Bb8.I	2A02h	0.000-9999.999A	Bb8.I current(High Word)		R
	2A03h		Bb8.I current(Low Word)		R
Bb9.I	2A04h	0.000-9999.999A	Bb9.I current(High Word)		R
	2A05h		Bb9.I current(Low Word)		R
Bb7-9.I	2A06h	0.000-9999.999A	Bb7-9.I average current(High Word)		R
	2A07h		Bb7-9.I average current(Low Word)		R
Bb7.P	2A08h	-999999999~999999999W	Bb7.P active power(High Word)		R
	2A09h		Bb7.P active power(Low Word)		R
Bb8.P	2A0Ah	-999999999~999999999W	Bb8.P active power(High Word)		R
	2A0Bh		Bb8.P active power(Low Word)		R
Bb9.P	2A0Ch	-999999999~999999999W	Bb9.P active power(High Word)		R
	2A0Dh		Bb9.P active power(Low Word)		R
Bb7-9.P	2A0Eh	-999999999~999999999W	Bb7-9.P total active power(High Word)		R
	2A0Fh		Bb7-9.P total active power(Low Word)		R
Bb7.Q	2A10h	-999999999~999999999VAR	Bb7.Q reactive power(High Word)		R
	2A11h		Bb7.Q reactive power(Low Word)		R
Bb8.Q	2A12h	-999999999~999999999VAR	Bb8.Q reactive power(High Word)		R
	2A13h		Bb8.Q reactive power(Low Word)		R
Bb9.Q	2A14h	-999999999~999999999VAR	Bb9.Q reactive power(High Word)		R
	2A15h		Bb9.Q reactive power(Low Word)		R
Bb7-9.Q	2A16h	-999999999~999999999VAR	Bb7-9.Q total reactive power(High Word)		R
	2A17h		Bb7-9.Q total reactive power(Low Word)		R
Bb7.S	2A18h	0~999999999VA	Bb7.S apparent power(High Word)		R
	2A19h		Bb7.S apparent power(Low Word)		R
Bb8.S	2A1Ah	0~999999999VA	Bb8.S apparent power(High Word)		R
	2A1Bh		Bb8.S apparent power(Low Word)		R
Bb9.S	2A1Ch	0~999999999VA	Bb9.S apparent power(High Word)		R
	2A1Dh		Bb9.S apparent power(Low Word)		R
Bb7-9.S	2A1Eh	0~999999999VA	Bb7-9.S total apparent power(High Word)		R
	2A1Fh		Bb7-9.S total apparent power(Low Word)		R
Bb7.PF	2A20h	-0.020~-/+1.000~0.020	Bb7.PF power factor		R
Bb8.PF	2A21h	-0.020~-/+1.000~0.020	Bb8.PF power factor		R
Bb9.PF	2A22h	-0.020~-/+1.000~0.020	Bb9.PF power factor		R
Bb7-9.PF	2A23h	-0.020~-/+1.000~0.020	Bb7-9.PF average power factor		R
Bb7.I.DM	2A24h	0.000~9999.999A	Bb7.I current demand(High Word)		R
	2A25h		Bb7.I current demand(Low Word)		R
Bb8.I.DM	2A26h	0.000~9999.999A	Bb8.I current demand(High Word)		R
	2A27h		Bb8.I current demand(Low Word)		R
Bb9.I.DM	2A28h	0.000~9999.999A	Bb9.I current demand(High Word)		R
	2A29h		Bb9.I current demand(Low Word)		R
Bb7-9.I.DM	2A2Ah	0.000~9999.999A	Bb7-9 average current demand(High Word)		R
	2A2Bh		Bb7-9 average current demand(Low Word)		R
Bb7.P.DM	2A2Ch	-999999999~999999999W	Bb7.P active power demand(High Word)		R
	2A2Dh		Bb7.P active power demand(Low Word)		R
Bb8.P.DM	2A2Eh	-999999999~999999999W	Bb8.P active power demand(High Word)		R
	2A2Fh		Bb8.P active power demand(Low Word)		R
Bb9.P.DM	2A30h	-999999999~999999999W	Bb9.P active power demand(High Word)		R
	2A31h		Bb9.P active power demand(Low Word)		R
Bb7-9.P.DM	2A32h	-999999999~999999999W	Bb7-9.P total active power demand(High Word)		R
	2A33h		Bb7-9.P total active power demand(Low Word)		R
Bb7.Q.DM	2A34h	-999999999~999999999VAR	Bb7.Q reactive power demand(High Word)		R
	2A35h		Bb7.Q reactive power demand(Low Word)		R
Bb8.Q.DM	2A36h	-999999999~999999999VAR	Bb8.Q reactive power demand(High Word)		R
	2A37h		Bb8.Q reactive power demand(Low Word)		R

Bb7-9 metering parameters reading (Function code : 03h) : ※Reserved : 0

Parameter	Address	Range	Description	Default	Property
Bb9.Q.DM	2A38h	-999999999~999999999VAR	Bb9.Q reactive power demand(High Word)		R
	2A39h		Bb9.Q reactive power demand(Low Word)		R
Bb7-9.Q.DM	2A3Ah	-999999999~999999999VAR	Bb7-9.Qtotal reactive power demand(High Word)		R
	2A3Bh		Bb7-9.Qtotal reactive power demand(Low Word)		R
Bb7.S.DM	2A3Ch	0 ~ 999999999VA	Bb7.S apparent power demand(High Word)		R
	2A3Dh		Bb7.S apparent power demand(Low Word)		R
Bb8.S.DM	2A3Eh	0 ~ 999999999VA	Bb8.S apparent power demand(High Word)		R
	2A3Fh		Bb8.S apparent power demand(Low Word)		R
Bb9.S.DM	2A40h	0 ~ 999999999VA	Bb9.S apparent power demand(High Word)		R
	2A41h		Bb9.S apparent power demand(Low Word)		R
Bb7-9.S.DM	2A42h	0 ~ 999999999VA	Bb7-9.Stotal apparent power demand(High Word)		R
	2A43h		Bb7-9.Stotal apparent power demand(Low Word)		R
Bb7.AE.Imp	2A44h	0.0~999999999.9kWh	Bb7 import active energy(High Word)		R
	2A45h		Bb7 import active energy(Low Word)		R
Bb8.AE.Imp	2A46h	0.0~999999999.9kWh	Bb8 import active energy(High Word)		R
	2A47h		Bb8 import active energy(Low Word)		R
Bb9.AE.Imp	2A48h	0.0~999999999.9kWh	Bb9 import active energy(High Word)		R
	2A49h		Bb9 import active energy(Low Word)		R
Bb7-9.AE.Imp	2A4Ah	0.0~999999999.9kWh	Bb7-9 import total active energy(High Word)		R
	2A4Bh		Bb7-9 import total active energy(Low Word)		R
Bb7.RE.Imp	2A4Ch	0.0~999999999.9kVARh	Bb7 import reactive energy(High Word)		R
	2A4Dh		Bb7 import reactive energy(Low Word)		R
Bb8.RE.Imp	2A4Eh	0.0~999999999.9kVARh	Bb8 import reactive energy(High Word)		R
	2A4Fh		Bb8 import reactive energy(Low Word)		R
Bb9.RE.Imp	2A50h	0.0~999999999.9kVARh	Bb9 import reactive energy(High Word)		R
	2A51h		Bb9 import reactive energy(Low Word)		R
Bb7-9.RE.Imp	2A52h	0.0~999999999.9kVARh	Bb7-9 import total reactive energy(High Word)		R
	2A53h		Bb7-9 import total reactive energy(Low Word)		R
Bb7.SE	2A54h	0.0~999999999.9kVAh	Bb7 apparent energy(High Word)		R
	2A55h		Bb7 apparent energy(Low Word)		R
Bb8.SE	2A56h	0.0~999999999.9kVAh	Bb8 apparent energy(High Word)		R
	2A57h		Bb8 apparent energy(Low Word)		R
Bb9.SE	2A58h	0.0~999999999.9kVAh	Bb9 apparent energy(High Word)		R
	2A59h		Bb9 apparent energy(Low Word)		R
Bb7-9.SE	2A5Ah	0.0~999999999.9kVAh	Bb7-9 total apparent energy(High Word)		R
	2A5Bh		Bb7-9 total apparent energy(Low Word)		R
Reserved	2A5Ch		Reserved		R
Reserved	2A5Dh		Reserved		R

Ba7-9 THD of current reading( Function code :03h) : ※Reserved : 0

Parameter	Address	Range	Description	Default	Property
Bb7.I.THd	2A68h	0.0~100.0%	Bb7.ITHD		R
Bb8.I.THd	2A69h	0.0~100.0%	Bb8.ITHD		R
Bb9.I.THd	2A6Ah	0.0~100.0%	Bb9.ITHD		R
Bb7-9.I.THd	2A6Bh	0.0~100.0%	Bb7-9.IAVG.THd		R
Reserved	2A6Ch		Reserved		R
Reserved	2A6Dh		Reserved		R



Parameter	Address	Range	Description	Default	Property
Bb7.I.MAX	2A78h	0.000~9999.999A	Bb7.I Maximum current	(High Word)	R
	2A79h			(Low Word)	R
Year	2A7Ah	2000~2099	Year		R
Month	2A7Bh	1~12	Month		R
Day	2A7Ch	1~31	Day		R
Hour	2A7Dh	0~23	Hour		R
Minute	2A7Eh	0~59	Minute		R
Second	2A7Fh	0~59	Second		R
Bb8.I.MAX	2A80h	0.000~9999.999A	Bb8.I Maximum current and time stamp		R
	2A81h				R
Year	2A82h	2000~2099			R
Month	2A83h	1~12			R
Day	2A84h	1~31			R
Hour	2A85h	0~23			R
Minute	2A86h	0~59			R
Second	2A87h	0~59			R
Bb9.I.MAX	2A88h	0.000~9999.999A		Bb9.I Maximum current and time stamp	
	2A89h				R
Year	2A8Ah	2000~2099			R
Month	2A8Bh	1~12			R
Day	2A8Ch	1~31			R
Hour	2A8Dh	0~23			R
Minute	2A8Eh	0~59			R
Second	2A8Fh	0~59			R
Bb7-9.I.MAX	2A90h	0.000~9999.999A	Bb7-9.I Maximum average current and time stamp		
	2A91h				R
Year	2A92h	2000~2099			R
Month	2A93h	1~12			R
Day	2A94h	1~31			R
Hour	2A95h	0~23			R
Minute	2A96h	0~59			R
Second	2A97h	0~59			R
Bb7.P.MAX	2A98h	-999999999~999999999W	Bb7.P Maximum active power and time stamp		R
	2A99h				R
Year	2A9Ah	2000~2099			R
Month	2A9Bh	1~12			R
Day	2A9Ch	1~31			R
Hour	2A9Dh	0~23			R
Minute	2A9Eh	0~59			R
Second	2A9Fh	0~59			R
Bb8.P.MAX	2AA0h	-999999999~999999999W	Bb8.P Maximum active power and time stamp		R
	2AA1h				R
Year	2AA2h	2000~2099			R
Month	2AA3h	1~12			R
Day	2AA4h	1~31			R
Hour	2AA5h	0~23			R
Minute	2AA6h	0~59			R
Second	2AA7h	0~59			R
Bb9.P.MAX	2AA8h	-999999999~999999999W	Bb9.P Maximum active power and time stamp		R
	2AA9h				R
Year	2AAAh	2000~2099			R
Month	2AABh	1~12			R
Day	2AACH	1~31			R
Hour	2AADh	0~23			R
Minute	2AAEh	0~59			R
Second	2AAFh	0~59			R

Parameter	Address	Range	Description	Default	Property
Bb7-9.P.MAX	2AB0h	-999999999~999999999W	Bb7-9.P.SUM Maximum total active power and time stamp		R
	2AB1h				R
Year	2AB2h	2000~2099			R
Month	2AB3h	1~12			R
Day	2AB4h	1~31			R
Hour	2AB5h	0~23			R
Minute	2AB6h	0~59			R
Second	2AB7h	0~59			R
Bb7.Q.MAX	2AB8h	-999999999~999999999VAR		Bb7.Q Maximum reactive power and time stamp	
	2AB9h				R
Year	2ABAh	2000~2099			R
Month	2ABBh	1~12			R
Day	2ABCh	1~31			R
Hour	2ABDh	0~23			R
Minute	2ABEh	0~59			R
Second	2ABFh	0~59			R
Bb8.Q.MAX	2AC0h	-999999999~999999999VAR	Bb8.Q Maximum reactive power and time stamp		
	2AC1h				R
Year	2AC2h	2000~2099			R
Month	2AC3h	1~12			R
Day	2AC4h	1~31			R
Hour	2AC5h	0~23			R
Minute	2AC6h	0~59			R
Second	2AC7h	0~59			R
Bb9.Q.MAX	2AC8h	-999999999~999999999VAR		Bb9.Q Maximum reactive power and time stamp	
	2AC9h				R
Year	2ACAh	2000~2099			R
Month	2ACBh	1~12			R
Day	2ACCh	1~31			R
Hour	2ACDh	0~23			R
Minute	2ACEh	0~59			R
Second	2ACFh	0~59			R
Bb7-9.Q.MAX	2AD0h	-999999999~999999999VAR	Bb7-9.Q.SUM Maximum total reactive power and time stamp		
	2AD1h				R
Year	2AD2h	2000~2099			R
Month	2AD3h	1~12			R
Day	2AD4h	1~31			R
Hour	2AD5h	0~23			R
Minute	2AD6h	0~59			R
Second	2AD7h	0~59			R
Bb7.S.MAX	2AD8h	0 ~ 999999999VA		Bb7.S Maximum apparent power and time stamp	
	2AD9h				R
Year	2ADAh	2000~2099			R
Month	2ADBh	1~12			R
Day	2ADCh	1~31			R
Hour	2AD Dh	0~23			R
Minute	2AD E h	0~59			R
Second	2AD F h	0~59			R
Bb8.S.MAX	2AE0h	0 ~ 999999999VA	Bb8.S Maximum apparent power and time stamp		
	2AE1h				R
Year	2AE2h	2000~2099			R
Month	2AE3h	1~12			R
Day	2AE4h	1~31			R
Hour	2AE5h	0~23			R
Minute	2AE6h	0~59			R
Second	2AE7h	0~59			R

Parameter	Address	Range	Description	Default	Property
Bb9.S.MAX	2AE8h	0 ~ 999999999VA	Bb9.S Maximum apparent power and time stamp		R
	2AE9h				R
Year	2AEA h	2000~2099			R
Month	2AEB h	1~12			R
Day	2AEC h	1~31			R
Hour	2AED h	0~23			R
Minute	2AEE h	0~59			R
Second	2AEF h	0~59			R
Bb7-9.S.MAX	2AF0h	0 ~ 999999999VA		Bb7-9.S.SUM Maximum total apparent power and time stamp	
	2AF1h				R
Year	2AF2 h	2000~2099			R
Month	2AF3 h	1~12			R
Day	2AF4 h	1~31			R
Hour	2AF5 h	0~23			R
Minute	2AF6 h	0~59			R
Second	2AF7 h	0~59			R
Bb7.PF.MAX	2AF8h	-1.000~1.000	Bb7.PF Maximum power factor and time stamp		
Year	2AF9 h	2000~2099			R
Month	2AFA h	1~12			R
Day	2AFB h	1~31			R
Hour	2AFCh	0~23			R
Minute	2AFD h	0~59			R
Second	2AFE h	0~59			R
Bb8.PF.MAX	2AFFh	-1.000~1.000	Bb8.PF Maximum power factor and time stamp		R
Year	2B00 h	2000~2099			R
Month	2B01 h	1~12			R
Day	2B02 h	1~31			R
Hour	2B03 h	0~23			R
Minute	2B04 h	0~59			R
Second	2B05 h	0~59			R
Bb9.PF.MAX	2B06h	-1.000~1.000	Bb9.PF Maximum power factor and time stamp		R
Year	2B07 h	2000~2099			R
Month	2B08 h	1~12			R
Day	2B09 h	1~31			R
Hour	2B0A h	0~23			R
Minute	2B0B h	0~59			R
Second	2B0C h	0~59			R
Bb7-9.PF.MAX	2B0Dh	-1.000~1.000	Bb7-9.PF Maximum average power factor and time stamp		R
Year	2B0E h	2000~2099			R
Month	2B0F h	1~12			R
Day	2B10 h	1~31			R
Hour	2B11 h	0~23			R
Minute	2B12 h	0~59			R
Second	2B13 h	0~59			R
Bb7.I.THD.MAX	2B14h		Bb7.I Maximum total harmonic distortion for current and time stamp		R
Year	2B15 h	2000~2099			R
Month	2B16 h	1~12			R
Day	2B17 h	1~31			R
Hour	2B18 h	0~23			R
Minute	2B19 h	0~59			R
Second	2B1A h	0~59			R

Parameter	Address	Range	Description	Default	Property
Bb8.I.THD.MAX	2B1Bh		Bb8.I Maximum total harmonic distortion for current and time stamp		R
Year	2B1Ch	2000~2099			R
Month	2B1Dh	1~12			R
Day	2B1Eh	1~31			R
Hour	2B1Fh	0~23			R
Minute	2B20h	0~59			R
Second	2B21h	0~59			R
Bb9.I.THD.MAX	2B22h			Bb9.I Maximum total harmonic distortion for current and time stamp	
Year	2B23h	2000~2099			R
Month	2B24h	1~12			R
Day	2B25h	1~31			R
Hour	2B26h	0~23			R
Minute	2B27h	0~59			R
Second	2B28h	0~59			R
Bb7-9.I.THD.MAX	2B29h		Bb7-9.I Maximum average total harmonic distortion for current and time stamp		
Year	2B2Ah	2000~2099			R
Month	2B2Bh	1~12			R
Day	2B2Ch	1~31			R
Hour	2B2Dh	0~23			R
Minute	2B2Eh	0~59			R
Second	2B2Fh	0~59			R
Bb7.I.DM.MAX	2B30h	0.000~9999.999A		Bb7.I Maximum current demand and time stamp	
	2B31h				R
Year	2B32h	2000~2099			R
Month	2B33h	1~12			R
Day	2B34h	1~31			R
Hour	2B35h	0~23			R
Minute	2B36h	0~59			R
Second	2B37h	0~59			R
Bb8.I.DM.MAX	2B38h	0.000~9999.999A	Bb8.I Maximum current demand and time stamp		R
	2B39h				R
Year	2B3Ah	2000~2099			R
Month	2B3Bh	1~12			R
Day	2B3Ch	1~31			R
Hour	2B3Dh	0~23			R
Minute	2B3Eh	0~59			R
Second	2B3Fh	0~59			R
Bb9.I.DM.MAX	2B40h	0.000~9999.999A	Bb9.I Maximum current demand and time stamp		R
	2B41h				R
Year	2B42h	2000~2099			R
Month	2B43h	1~12			R
Day	2B44h	1~31			R
Hour	2B45h	0~23			R
Minute	2B46h	0~59			R
Second	2B47h	0~59			R
Bb7-9.I.DM.MAX	2B48h	0.000~9999.999A	Bb7-9.I Maximum average current demand and time stamp		R
	2B49h				R
Year	2B4Ah	2000~2099			R
Month	2B4Bh	1~12			R
Day	2B4Ch	1~31			R
Hour	2B4Dh	0~23			R
Minute	2B4Eh	0~59			R
Second	2B4Fh	0~59			R

Parameter	Address	Range	Description	Default	Property
Bb7.P.DM.MAX	2B50h	-999999999~999999999W	Bb7.P Maximum active power demand and time stamp		R
	2B51h				R
Year	2B52h	2000~2099			R
Month	2B53h	1~12			R
Day	2B54h	1~31			R
Hour	2B55h	0~23			R
Minute	2B56h	0~59			R
Second	2B57h	0~59			R
Bb8.P.DM.MAX	2B58h	-999999999~999999999W			Bb8.P Maximum active power demand and time stamp
	2B59h		R		
Year	2B5Ah	2000~2099	R		
Month	2B5Bh	1~12	R		
Day	2B5Ch	1~31	R		
Hour	2B5Dh	0~23	R		
Minute	2B5Eh	0~59	R		
Second	2B5Fh	0~59	R		
Bb9.P.DM.MAX	2B60h	-999999999~999999999W	Bb9.P Maximum active power demand and time stamp		
	2B61h				R
Year	2B62h	2000~2099			R
Month	2B63h	1~12			R
Day	2B64h	1~31			R
Hour	2B65h	0~23			R
Minute	2B66h	0~59			R
Second	2B67h	0~59			R
Bb7-9.P.DM.MAX	2B68h	-999999999~999999999W			Bb7-9.P Maximum total active power demand and time stamp
	2B69h		R		
Year	2B6Ah	2000~2099	R		
Month	2B6Bh	1~12	R		
Day	2B6Ch	1~31	R		
Hour	2B6Dh	0~23	R		
Minute	2B6Eh	0~59	R		
Second	2B6Fh	0~59	R		
Bb7.Q.DM.MAX	2B70h	-999999999~999999999VAR	Bb7.Q Maximum reactive power demand and time stamp		
	2B71h				R
Year	2B72h	2000~2099			R
Month	2B73h	1~12			R
Day	2B74h	1~31			R
Hour	2B75h	0~23			R
Minute	2B76h	0~59			R
Second	2B77h	0~59			R
Bb8.Q.DM.MAX	2B78h	-999999999~999999999VAR			Bb8.Q Maximum reactive power demand and time stamp
	2B79h		R		
Year	2B7Ah	2000~2099	R		
Month	2B7Bh	1~12	R		
Day	2B7Ch	1~31	R		
Hour	2B7Dh	0~23	R		
Minute	2B7Eh	0~59	R		
Second	2B7Fh	0~59	R		
Bb9.Q.DM.MAX	2B80h	-999999999~999999999VAR	Bb9.Q Maximum reactive power demand and time stamp		
	2B81h				R
Year	2B82h	2000~2099			R
Month	2B83h	1~12			R
Day	2B84h	1~31			R
Hour	2B85h	0~23			R
Minute	2B86h	0~59			R
Second	2B87h	0~59			R

Parameter	Address	Range	Description	Default	Property
Bb7-9.Q.DM.MAX	2B88h	-999999999~999999999VAR	Bb7-9.Q Maximum total reactive power demand and time stamp		R
	2B89h				R
Year	2B8Ah	2000~2099			R
Month	2B8Bh	1~12			R
Day	2B8Ch	1~31			R
Hour	2B8Dh	0~23			R
Minute	2B8Eh	0~59			R
Second	2B8Fh	0~59			R
Bb7.S.DM.MAX	2B90h	-999999999~999999999VA		Bb7.S Maximum apparent power demand and time stamp	
	2B91h				R
Year	2B92h	2000~2099			R
Month	2B93h	1~12			R
Day	2B94h	1~31			R
Hour	2B95h	0~23			R
Minute	2B96h	0~59			R
Second	2B97h	0~59			R
Bb8.S.DM.MAX	2B98h	-999999999~999999999VA	Bb8.S Maximum apparent power demand and time stamp		
	2B99h				R
Year	2B9Ah	2000~2099			R
Month	2B9Bh	1~12			R
Day	2B9Ch	1~31			R
Hour	2B9Dh	0~23			R
Minute	2B9Eh	0~59			R
Second	2B9Fh	0~59			R
Bb9.S.DM.MAX	2BA0h	-999999999~999999999VA		Bb9.S Maximum apparent power demand and time stamp	
	2BA1h				R
Year	2BA2h	2000~2099			R
Month	2BA3h	1~12			R
Day	2BA4h	1~31			R
Hour	2BA5h	0~23			R
Minute	2BA6h	0~59			R
Second	2BA7h	0~59			R
Bb7-9.S.DM.MAX	2BA8h	-999999999~999999999VA	Bb7-9.S Maximum total apparent power demand and time stamp		
	2BA9h				R
Year	2BAAh	2000~2099			R
Month	2BABh	1~12			R
Day	2BACH	1~31			R
Hour	2BADh	0~23			R
Minute	2BAEh	0~59			R
Second	2BAFh	0~59			R
Reserved	2BB0h			Resvered	
Reserved	2BB1h		Reavered		R

Parameter	Address	Range	Description	Default	Property
Bb10.I	2D00h	0.000~9999.999A	Bb10.Icurrent(High Word)		R
	2D01h		Bb10.Icurrent(Low Word)		R
Bb11.I	2D02h	0.000~9999.999A	Bb11.Icurrent(High Word)		R
	2D03h		Bb11.Icurrent(Low Word)		R
Bb12.I	2D04h	0.000~9999.999A	Bb12.Icurrent(High Word)		R
	2D05h		Bb12.Icurrent(Low Word)		R
Bb10-12.I	2D06h	0.000~9999.999A	Bb10-12I average current(High Word)		R
	2D07h		Bb10-12I average current(Low Word)		R
Bb10.P	2D08h	-999999999~999999999W	Bb10.Pactive power(High Word)		R
	2D09h		Bb10.P active power(Low Word)		R
Bb11.P	2D0Ah	-999999999~999999999W	Bb11.P active power(High Word)		R
	2D0Bh		Bb11.P active power(Low Word)		R
Bb12.P	2D0Ch	-999999999~999999999W	Bb12.P active power(High Word)		R
	2D0Dh		Bb12.P active power(Low Word)		R
Bb10-12.P	2D0Eh	-999999999~999999999W	Bb10-12P. total active power(High Word)		R
	2D0Fh		Bb10-12P. total active power(Low Word)		R
Bb10.Q	2D10h	-999999999~999999999VAR	Bb10.Q reactive power(High Word)		R
	2D11h		Bb10.Q reactive power(Low Word)		R
Bb11.Q	2D12h	-999999999~999999999VAR	Bb11.Q reactive power(High Word)		R
	2D13h		Bb11.Q reactive power(Low Word)		R
Bb12.Q	2D14h	-999999999~999999999VAR	Bb12.Q reactive power(High Word)		R
	2D15h		Bb12.Q reactive power(Low Word)		R
Bb10-12.Q	2D16h	-999999999~999999999VAR	Bb10-12Q. total reactive power(High Word)		R
	2D17h		Bb10-12Q. total reactive power(Low Word)		R
Bb10.S	2D18h	0~999999999VA	Bb10.S apparent power(High Word)		R
	2D19h		Bb10.S apparent power(Low Word)		R
Bb11.S	2D1Ah	0~999999999VA	Bb11.S apparent power(High Word)		R
	2D1Bh		Bb11.S apparent power(Low Word)		R
Bb12.S	2D1Ch	0~999999999VA	Bb12.S apparent power(High Word)		R
	2D1Dh		Bb12.S apparent power(Low Word)		R
Bb10-12.S	2D1Eh	0~999999999VA	Bb10-12S. total apparent power(High Word)		R
	2D1Fh		Bb10-12S. total apparent power(Low Word)		R
Bb10.PF	2D20h	-0.020~-/+1.000~0.020	Bb10.PFpower factor		R
Bb11.PF	2D21h	-0.020~-/+1.000~0.020	Bb11.PFpower factor		R
Bb12.PF	2D22h	-0.020~-/+1.000~0.020	Bb12.PFpower factor		R
Bb10-12.PF	2D23h	-0.020~-/+1.000~0.020	Bb10-12PF average power factor		R
Bb10.I.DM	2D24h	0.000~9999.999A	Bb10.I current demand(High Word)		R
	2D25h		Bb10.I current demand(Low Word)		R
Bb11.I.DM	2D26h	0.000~9999.999A	Bb11.I current demand(High Word)		R
	2D27h		Bb11.I current demand(Low Word)		R
Bb12.I.DM	2D28h	0.000~9999.999A	Bb12.I current demand(High Word)		R
	2D29h		Bb12.I current demand(Low Word)		R
Bb10-12.I.DM	2D2Ah	0.000~9999.999A	Bb10-12 average current demand(High Word)		R
	2D2Bh		Bb10-12average current demand(Low Word)		R
Bb10.P.DM	2D2Ch	-999999999~999999999W	Bb10.P active power demand(High Word)		R
	2D2Dh		Bb10.Pactive power demand(Low Word)		R
Bb11.P.DM	2D2Eh	-999999999~999999999W	Bb11.P active power demand(High Word)		R
	2D2Fh		Bb11.P active power demand(Low Word)		R
Bb12.P.DM	2D30h	-999999999~999999999W	Bb12.P active power demand(High Word)		R
	2D31h		Bb12.P active power demand(Low Word)		R
Bb10-12.P.DM	2D32h	-999999999~999999999W	Bb10-12.Ptotal active power demand(High Word)		R
	2D33h		Bb10-12.Ptotal active power demand(Low Word)		R
Bb10.Q.DM	2D34h	-999999999~999999999VAR	Bb10.Q reactive power demand(High Word)		R
	2D35h		Bb10.Q reactive power demand(Low Word)		R
Bb11.Q.DM	2D36h	-999999999~999999999VAR	Bb11.Q reactive power demand(High Word)		R
	2D37h		Bb11.Q reactive power demand(Low Word)		R

Bb10-12 metering parameters reading (Function code : 03h) : ※Reserved : 0

Parameter	Address	Range	Description	Default	Property
Bb12.Q.DM	2D38h	-999999999~999999999VAR	Bb12Q reactive power demand(High Word)		R
	2D39h		Bb12Q reactive power demand(Low Word)		R
Bb10-12.Q.DM	2D3Ah	-999999999~999999999VAR	Bb10-12 .Q total reactive power demand(High Word)		R
	2D3Bh		Bb10-12 .Qtotal reactive power demand(Low Word)		R
Bb10.S.DM	2D3Ch	0 ~ 999999999VA	Bb10.Sapparent power demand(High Word)		R
	2D3Dh		Bb10.Sapparent power demand(Low Word)		R
Bb11.S.DM	2D3Eh	0 ~ 999999999VA	Bb11.Sapparent power demand(High Word)		R
	2D3Fh		Bb11.Sapparent power demand(Low Word)		R
Bb12.S.DM	2D40h	0 ~ 999999999VA	Bb12.Sapparent power demand(High Word)		R
	2D41h		Bb12.Sapparent power demand(Low Word)		R
Bb10-12.S.DM	2D42h	0 ~ 999999999VA	Bb10-12 .Stotal apparent power demand(High Word)		R
	2D43h		Bb10-12 .Stotal apparent power demand(Low Word)		R
Bb10.AE.Imp	2D44h	0.0~999999999.9kWh	Bb10import active energy(High Word)		R
	2D45h		Bb10import active energy(Low Word)		R
Bb11.AE.Imp	2D46h	0.0~999999999.9kWh	Bb11import active energy(High Word)		R
	2D47h		Bb11import active energy(Low Word)		R
Bb12.AE.Imp	2D48h	0.0~999999999.9kWh	Bb12import active energy(High Word)		R
	2D49h		Bb12import active energy(Low Word)		R
Bb10-12.AE.Imp	2D4Ah	0.0~999999999.9kWh	Bb10-12import total active energy(High Word)		R
	2D4Bh		Bb10-12import total active energy(Low Word)		R
Bb10.RE.Imp	2D4Ch	0.0~999999999.9kVARh	Bb10import reactive energy(High Word)		R
	2D4Dh		Bb10import reactive energy(Low Word)		R
Bb11.RE.Imp	2D4Eh	0.0~999999999.9kVARh	Bb11import reactive energy(High Word)		R
	2D4Fh		Bb11import reactive energy(Low Word)		R
Bb12.RE.Imp	2D50h	0.0~999999999.9kVARh	Bb12import reactive energy(High Word)		R
	2D51h		Bb12import reactive energy(Low Word)		R
Bb10-12.RE.Imp	2D52h	0.0~999999999.9kVARh	Bb10-12import total reactive energy(High Word)		R
	2D53h		Bb10-12 import total reactive energy(Low Word)		R
Bb10.SE	2D54h	0.0~999999999.9kVAh	Bb10apparent energy(High Word)		R
	2D55h		Bb10apparent energy(Low Word)		R
Bb11.SE	2D56h	0.0~999999999.9kVAh	Bb11apparent energy(High Word)		R
	2D57h		Bb11apparent energy(Low Word)		R
Bb12.SE	2D58h	0.0~999999999.9kVAh	Bb12apparent energy(High Word)		R
	2D59h		Bb12apparent energy(Low Word)		R
Bb10-12.SE	2D5Ah	0.0~999999999.9kVAh	Bb10-12 total apparent energy(High Word)		R
	2D5Bh		Bb10-12 total apparent energy(Low Word)		R
Reserved	2D5Ch		Reserved		R
Reserved	2D5Dh		Reserved		R

Ba10-12 THD of current reading( Function code :03h) : ※Reserved : 0

Parameter	Address	Range	Description	Default	Property
Bb10.I.THd	2D68h	0.0~100.0%	Bb10.ITHD		R
Bb11.I.THd	2D69h	0.0~100.0%	Bb11.ITHD		R
Bb12.I.THd	2D6Ah	0.0~100.0%	Bb12.ITHD		R
Bb10-12.I.THd	2D6Bh	0.0~100.0%	Bb10-12.IAVG.THd		R
Reserved	2D6Ch		Reserved		R
Reserved	2D6Dh		Reserved		R



Parameter	Address	Range	Description	Default	Property
Bb10.I.MAX	2D78h	0.000~9999.999A	Bb10.I Maximum current	(High Word)	R
	2D79h			(Low Word)	R
Year	2D7Ah	2000~2099	Year		R
Month	2D7Bh	1~12	Month		R
Day	2D7Ch	1~31	Day		R
Hour	2D7Dh	0~23	Hour		R
Minute	2D7Eh	0~59	Minute		R
Second	2D7Fh	0~59	Second		R
Bb11.I.MAX	2D80h	0.000~9999.999A	Bb11.I Maximum current and time stamp		R
	2D81h				R
Year	2D82h	2000~2099			R
Month	2D83h	1~12			R
Day	2D84h	1~31			R
Hour	2D85h	0~23			R
Minute	2D86h	0~59			R
Second	2D87h	0~59			R
Bb12.I.MAX	2D88h	0.000~9999.999A		Bb12.I Maximum current and time stamp	
	2D89h				R
Year	2D8Ah	2000~2099			R
Month	2D8Bh	1~12			R
Day	2D8Ch	1~31			R
Hour	2D8Dh	0~23			R
Minute	2D8Eh	0~59			R
Second	2D8Fh	0~59			R
Bb10-12.I.MAX	2D90h	0.000~9999.999A	Bb10-12.I Maximum average current and time stamp		
	2D91h				R
Year	2D92h	2000~2099			R
Month	2D93h	1~12			R
Day	2D94h	1~31			R
Hour	2D95h	0~23			R
Minute	2D96h	0~59			R
Second	2D97h	0~59			R
Bb10.P.MAX	2D98h	-999999999~999999999W	Bb10.P Maximum active power and time stamp		R
	2D99h				R
Year	2D9Ah	2000~2099			R
Month	2D9Bh	1~12			R
Day	2D9Ch	1~31			R
Hour	2D9Dh	0~23			R
Minute	2D9Eh	0~59			R
Second	2D9Fh	0~59			R
Bb11.P.MAX	2DA0h	-999999999~999999999W	Bb11.P Maximum active power and time stamp		R
	2DA1h				R
Year	2DA2h	2000~2099			R
Month	2DA3h	1~12			R
Day	2DA4h	1~31			R
Hour	2DA5h	0~23			R
Minute	2DA6h	0~59			R
Second	2DA7h	0~59			R
Bb12.P.MAX	2DA8h	-999999999~999999999W	Bb12.P Maximum active power and time stamp		R
	2DA9h				R
Year	2DAAh	2000~2099			R
Month	2DABh	1~12			R
Day	2DACH	1~31			R
Hour	2DADh	0~23			R
Minute	2DAEh	0~59			R
Second	2DAFh	0~59			R

Parameter	Address	Range	Description	Default	Property	
Bb10-12.P.MAX	2DB0h	-999999999~999999999W	Bb10-12.P.SUM Maximum total active power and time stamp		R	
	2DB1h				R	
Year	2000~2099			R		
Month	1~12			R		
Day	1~31			R		
Hour	0~23			R		
Minute	0~59			R		
Second	0~59			R		
Bb10.Q.MAX	2DB8h	-999999999~999999999VAR		Bb10.Q Maximum reactive power and time stamp		R
	2DB9h					R
Year	2000~2099		R			
Month	1~12		R			
Day	1~31		R			
Hour	0~23		R			
Minute	0~59		R			
Second	0~59		R			
Bb11.Q.MAX	2DC0h	-999999999~999999999VAR	Bb11.Q Maximum reactive power and time stamp		R	
	2DC1h				R	
Year	2000~2099			R		
Month	1~12			R		
Day	1~31			R		
Hour	0~23			R		
Minute	0~59			R		
Second	0~59			R		
Bb12.Q.MAX	2DC8h	-999999999~999999999VAR	Bb12.Q Maximum reactive power and time stamp		R	
	2DC9h				R	
Year	2000~2099			R		
Month	1~12			R		
Day	1~31			R		
Hour	0~23			R		
Minute	0~59			R		
Second	0~59			R		
Bb10-12.Q.MAX	2DD0h	-999999999~999999999VAR	Bb10-12.Q.SUM Maximum total reactive power and time stamp		R	
	2DD1h				R	
Year	2000~2099			R		
Month	1~12			R		
Day	1~31			R		
Hour	0~23			R		
Minute	0~59			R		
Second	0~59			R		
Bb10.S.MAX	2DD8h	0 ~ 999999999VA	Bb10.S Maximum apparent power and time stamp		R	
	2DD9h				R	
Year	2000~2099			R		
Month	1~12			R		
Day	1~31			R		
Hour	0~23			R		
Minute	0~59			R		
Second	0~59			R		
Bb11.S.MAX	2DE0h	0 ~ 999999999VA	Bb11.S Maximum apparent power and time stamp		R	
	2DE1h				R	
Year	2000~2099			R		
Month	1~12			R		
Day	1~31			R		
Hour	0~23			R		
Minute	0~59			R		
Second	0~59			R		

Parameter	Address	Range	Description	Default	Property	
Bb12.S.MAX	2DE8h	0 ~ 999999999VA	Bb12.S Maximum apparent power and time stamp		R	
	2DE9h				R	
Year	2DEAh	2000~2099			R	
Month	2DEBh	1~12			R	
Day	2DECh	1~31			R	
Hour	2DEDh	0~23			R	
Minute	2DEEh	0~59			R	
Second	2DEFh	0~59			R	
Bb10-12.S.MAX	2DF0h	0 ~ 999999999VA		Bb10-12.S.SUM Maximum total apparent power and time stamp		R
	2DF1h					R
Year	2DF2h	2000~2099			R	
Month	2DF3h	1~12			R	
Day	2DF4h	1~31			R	
Hour	2DF5h	0~23			R	
Minute	2DF6h	0~59			R	
Second	2DF7h	0~59			R	
Bb10.PF.MAX	2DF8h	-1.000~1.000	Bb10.PF Maximum power factor and time stamp			R
Year	2DF9h	2000~2099				R
Month	2DFAh	1~12			R	
Day	2DFBh	1~31			R	
Hour	2DFCh	0~23			R	
Minute	2DFDh	0~59			R	
Second	2DFEh	0~59			R	
Bb11.PF.MAX	2DFFh	-1.000~1.000	Bb11.PF Maximum power factor and time stamp		R	
Year	2E00h	2000~2099			R	
Month	2E01h	1~12			R	
Day	2E02h	1~31			R	
Hour	2E03h	0~23			R	
Minute	2E04h	0~59			R	
Second	2E05h	0~59		R		
Bb12.PF.MAX	2E06h	-1.000~1.000	Bb12.PF Maximum power factor and time stamp		R	
Year	2E07h	2000~2099			R	
Month	2E08h	1~12			R	
Day	2E09h	1~31			R	
Hour	2E0Ah	0~23			R	
Minute	2E0Bh	0~59			R	
Second	2E0Ch	0~59		R		
Bb10-12.PF.MAX	2E0Dh	-1.000~1.000	Bb10-12.PF Maximum average power factor and time stamp		R	
Year	2E0Eh	2000~2099			R	
Month	2E0Fh	1~12			R	
Day	2E10h	1~31			R	
Hour	2E11h	0~23			R	
Minute	2E12h	0~59			R	
Second	2E13h	0~59		R		
Bb10.I.TH.D.MAX	2E14h		Bb10.I Maximum total harmonic distortion for current and time stamp		R	
Year	2E15h	2000~2099			R	
Month	2E16h	1~12			R	
Day	2E17h	1~31			R	
Hour	2E18h	0~23			R	
Minute	2E19h	0~59			R	
Second	2E1Ah	0~59		R		

Parameter	Address	Range	Description	Default	Property
Bb11.I.THD.MAX	2E1Bh		Bb11.I Maximum total harmonic distortion for current and time stamp		R
Year	2E1Ch	2000~2099			R
Month	2E1Dh	1~12			R
Day	2E1Eh	1~31			R
Hour	2E1Fh	0~23			R
Minute	2E20h	0~59			R
Second	2E21h	0~59			R
Bb12.I.THD.MAX	2E22h			Bb12.I Maximum total harmonic distortion for current and time stamp	
Year	2E23h	2000~2099			R
Month	2E24h	1~12			R
Day	2E25h	1~31			R
Hour	2E26h	0~23			R
Minute	2E27h	0~59			R
Second	2E28h	0~59			R
Bb10-12.I.THD.MAX	2E29h		Bb10-12.I Maximum total harmonic distortion for average current and time stamp		
Year	2E2Ah	2000~2099			R
Month	2E2Bh	1~12			R
Day	2E2Ch	1~31			R
Hour	2E2Dh	0~23			R
Minute	2E2Eh	0~59			R
Second	2E2Fh	0~59			R
Bb10.I.DM.MAX	2E30h	0.000~9999.999A		Bb10.I Maximum current demand and time stamp	
	2E31h				R
Year	2E32h	2000~2099			R
Month	2E33h	1~12			R
Day	2E34h	1~31			R
Hour	2E35h	0~23			R
Minute	2E36h	0~59			R
Second	2E37h	0~59			R
Bb11.I.DM.MAX	2E38h	0.000~9999.999A	Bb11.I Maximum current demand and time stamp		R
	2E39h				R
Year	2E3Ah	2000~2099			R
Month	2E3Bh	1~12			R
Day	2E3Ch	1~31			R
Hour	2E3Dh	0~23			R
Minute	2E3Eh	0~59			R
Second	2E3Fh	0~59			R
Bb12.I.DM.MAX	2E40h	0.000~9999.999A	Bb12.I Maximum current demand and time stamp		R
	2E41h				R
Year	2E42h	2000~2099			R
Month	2E43h	1~12			R
Day	2E44h	1~31			R
Hour	2E45h	0~23			R
Minute	2E46h	0~59			R
Second	2E47h	0~59			R
Bb10-12.I.DM.MAX	2E48h	0.000~9999.999A	Bb10-12.I Maximum average current demand and time stamp		R
	2E49h				R
Year	2E4Ah	2000~2099			R
Month	2E4Bh	1~12			R
Day	2E4Ch	1~31			R
Hour	2E4Dh	0~23			R
Minute	2E4Eh	0~59			R
Second	2E4Fh	0~59			R

Parameter	Address	Range	Description	Default	Property		
Bb10.P.DM.MAX	2E50h	-999999999~999999999W	Bb10.P Maximum active power demand and time stamp		R		
	2E51h				R		
Year	2E52h	2000~2099			R		
Month	2E53h	1~12			R		
Day	2E54h	1~31			R		
Hour	2E55h	0~23			R		
Minute	2E56h	0~59			R		
Second	2E57h	0~59			R		
Bb11.P.DM.MAX	2E58h	-999999999~999999999W			Bb11.P Maximum active power demand and time stamp		R
	2E59h						R
Year	2E5Ah	2000~2099	R				
Month	2E5Bh	1~12	R				
Day	2E5Ch	1~31	R				
Hour	2E5Dh	0~23	R				
Minute	2E5Eh	0~59	R				
Second	2E5Fh	0~59	R				
Bb12.P.DM.MAX	2E60h	-999999999~999999999W	Bb12.P Maximum active power demand and time stamp				R
	2E61h						R
Year	2E62h	2000~2099			R		
Month	2E63h	1~12			R		
Day	2E64h	1~31			R		
Hour	2E65h	0~23			R		
Minute	2E66h	0~59			R		
Second	2E67h	0~59			R		
Bb10-12.P.DM.MAX	2E68h	-999999999~999999999W			Bb10-12.P Maximum total active power demand and time stamp		R
	2E69h						R
Year	2E6Ah	2000~2099	R				
Month	2E6Bh	1~12	R				
Day	2E6Ch	1~31	R				
Hour	2E6Dh	0~23	R				
Minute	2E6Eh	0~59	R				
Second	2E6Fh	0~59	R				
Bb10.Q.DM.MAX	2E70h	-999999999~999999999VAR	Bb10.Q Maximum reactive power demand and time stamp				R
	2E71h						R
Year	2E72h	2000~2099			R		
Month	2E73h	1~12			R		
Day	2E74h	1~31			R		
Hour	2E75h	0~23			R		
Minute	2E76h	0~59			R		
Second	2E77h	0~59			R		
Bb11.Q.DM.MAX	2E78h	-999999999~999999999VAR			Bb11.Q Maximum reactive power demand and time stamp		R
	2E79h						R
Year	2E7Ah	2000~2099	R				
Month	2E7Bh	1~12	R				
Day	2E7Ch	1~31	R				
Hour	2E7Dh	0~23	R				
Minute	2E7Eh	0~59	R				
Second	2E7Fh	0~59	R				
Bb12.Q.DM.MAX	2E80h	-999999999~999999999VAR	Bb12.Q Maximum reactive power demand and time stamp				R
	2E81h						R
Year	2E82h	2000~2099			R		
Month	2E83h	1~12			R		
Day	2E84h	1~31			R		
Hour	2E85h	0~23			R		
Minute	2E86h	0~59			R		
Second	2E87h	0~59			R		

**Bb10-12 MAX Values (Function code :03h):** ※Reserved : 0

Parameter	Address	Range	Description	Default	Property	
Bb10-12.Q.DM.MAX	2E88h	-999999999~999999999VAR	Bb10-12.Q Maximum total reactive power demand and time stamp		R	
	2E89h				R	
	Year			2000~2099		R
	Month			1~12		R
	Day			1~31		R
	Hour			0~23		R
	Minute			0~59		R
	Second			0~59		R
Bb10.S.DM.MAX	2E90h	-999999999~999999999VA	Bb10.S Maximum apparent power demand and time stamp		R	
	2E91h				R	
	Year			2000~2099		R
	Month			1~12		R
	Day			1~31		R
	Hour			0~23		R
	Minute			0~59		R
	Second			0~59		R
Bb11.S.DM.MAX	2E98h	-999999999~999999999VA	Bb11.S Maximum apparent power demand and time stamp		R	
	2E99h				R	
	Year			2000~2099		R
	Month			1~12		R
	Day			1~31		R
	Hour			0~23		R
	Minute			0~59		R
	Second			0~59		R
Bb12.S.DM.MAX	2EA0h	-999999999~999999999VA	Bb12.S Maximum apparent power demand and time stamp		R	
	2EA1h				R	
	Year			2000~2099		R
	Month			1~12		R
	Day			1~31		R
	Hour			0~23		R
	Minute			0~59		R
	Second			0~59		R
Bb10-12.S.DM.MAX	2EA8h	-999999999~999999999VA	Bb10-12.S Maximum total apparent power demand and time stamp		R	
	2EA9h				R	
	Year			2000~2099		R
	Month			1~12		R
	Day			1~31		R
	Hour			0~23		R
	Minute			0~59		R
	Second			0~59		R
Reserved	2EB0h		Reserved		R	
Reserved	2EB1h		Reserved		R	

**Logging data reading( Function code : 03h , 06h ):** ※Reserved : 0

Parameter	Address	Range	Description	Default	Property
Log.Word.Num	4000h		Data length of record value		R
Log.Unread.Num	4001h		Number of unread datas		R
Log.Read	4002h		Read next , reply code 0020h when data empty		R
Log.Read.Status	4003h	0~2	Reading Status feedback code : 0: Clear all record datas (Reset reading index) 1:Abort current read 2:Read success		W
Reserved	4004h		Reserved		
Reserved	4005h		Reserved		

Logging setting( Function code : 03h , 06h , 10h ):

Parameter	Address	Range	Description	Default	Property
Log.Para.SLCT	4010h	0~1	0 : All parameters 1: Assign parameter	0	R/W
Log.Time.Set	4011h	1~32767	Recording interval time	15	R/W
Log.Time.Unit	4012h	0~3	Unit of interval time 0:sec 1:min 2:hour 3:day	1	R/W
Start.Year	4013h	2000~2099	Date and time for start	2014	R/W
Start.Month	4014h	1~12		1	R/W
Start.Day	4015h	1~31		1	R/W
Start.Hour	4016h	0~23		0	R/W
Start.Minute	4017h	0~59		0	R/W
Start.Second	4018h	0~59		0	R/W
Stop.Year	4019h	2000~2099	Date and time for stop	2014	R/W
Stop.Month	401Ah	1~12		1	R/W
Stop.Day	401Bh	1~31		1	R/W
Stop.Hour	401Ch	0~23		0	R/W
Stop.Minute	401Dh	0~59		0	R/W
Stop.Second	401Eh	0~59		0	R/W
Log.Start.Set	401Fh	0~1	Recording enable : 0:Disable 1:Enable	0	R/W

Logging setting( Function code : 03h , 06h , 10h ):

Parameter	Address	Range	Description	Default	Property	
Log.Para 01	4020h		Parameter code		R/W	
Log.Para 02	4021h		0: NONE	1: Ma.FREQ	2: Ma.V	R/W
Log.Para 03	4022h		3: Ma.U	4: Ma.I	5: Ma.P	R/W
Log.Para 04	4023h		6: Ma.Q	7: Ma.S	8: Ma.PF	R/W
Log.Para 05	4024h		9: Ma.AE.imp	10: Ma.RE.Imp	11: Ma.SE	R/W
Log.Para 06	4025h		12: Ba1-3.I	13: Ba1-3.P	14: Ba1-3.Q	R/W
Log.Para 07	4026h		15: Ba1-3.S	16: Ba1-3.PF		R/W
Log.Para 08	4027h		17: Ba1-3.AE.Imp			R/W
Log.Para 09	4028h		18: Ba1-3.RE.Imp	19: Ba1-3.SE	20: Ba4-6.I	R/W
Log.Para 10	4029h		21: Ba4-6.P	22: Ba4-6.Q	23: Ba4-6.S	R/W
Log.Para 11	402Ah		24: Ba4-6.PF	25: Ba4-6.AE.Imp		R/W
Log.Para 12	402Bh		26: Ba4-6.RE.Imp			R/W
Log.Para 13	402Ch		27: Ba4-6.SE	28: Ba7-9.I	29: Ba7-9.P	R/W
Log.Para 14	402Dh		30: Ba7-9.Q	31: Ba7-9.S	32: Ba7-9.PF	R/W
Log.Para 15	402Eh		33: Ba7-9.AE.Imp	34: Ba7-9.RE.Imp		R/W
Log.Para 16	402Fh		35: Ba7-9.SE			R/W
Log.Para 17	4030h		36: Ba10-12.I	37: Ba10-12.P	38: Ba10-12.Q	R/W
Log.Para 18	4031h		39: Ba10-12.S	40: Ba10-12.PF		R/W
Log.Para 19	4032h		41: Ba10-12.AE.Imp			R/W
Log.Para 20	4033h		42: Ba10-12.RE.Imp	43: Ba10-12.SE		R/W
Log.Para 21	4034h		44: Mb.FREQ			R/W
Log.Para 22	4035h		45: Mb.V	46: Mb.U	47: Mb.I	R/W
Log.Para 23	4036h		48: Mb.P	49: Mb.Q	50: Mb.S	R/W
Log.Para 24	4037h		51: Mb.PF	52: Mb.AE.Imp	53: Mb.RE.Imp	R/W
Log.Para 25	4038h		54: Mb.SE	55: Bb1-3.I	56: Bb1-3.P	R/W
Log.Para 26	4039h		57: Bb1-3.Q	58: Bb1-3.S	59: Bb1-3.PF	R/W
Log.Para 27	403Ah		60: Bb1-3.AE.Imp	61: Bb1-3.RE.Imp		R/W
Log.Para 28	403Bh		62: Bb1-3.SE			R/W
Log.Para 29	403Ch		63: Bb4-6.I	64: Bb4-6.P	65: Bb4-6.Q	R/W
Log.Para 30	403Dh		66: Bb4-6.S	67: Bb4-6.PF		R/W
Log.Para 31	403Eh		68: Bb4-6.AE.Imp			R/W
Log.Para 32	403Fh		69: Bb4-6.RE.Imp	70: Bb4-6.SE	71: Bb7-9.I	R/W
Log.Para 33	4040h		72: Bb7-9.P	73: Bb7-9.Q	74: Bb7-9.S	R/W
Log.Para 34	4041h		75: Bb7-9.PF	76: Bb7-9.AE.Imp		R/W
Log.Para 35	4042h		77: Bb7-9.RE.Imp			R/W
Log.Para 36	4043h		78: Bb7-9.SE	79: Bb10-12.I	80: Bb10-12.P	R/W
Log.Para 37	4044h		81: Bb10-12.Q	82: Bb10-12.S	83: Bb10-12.PF	R/W
Log.Para 38	4045h		84: Bb10-12.AE.Imp	85: Bb10-12.RE.Imp		R/W
Log.Para 39	4046h		86: Bb10-12.SE			R/W
Log.Para 40	4047h					R/W
Log.Para 41	4048h					R/W
Log.Para 42	4049h					R/W
Log.Para 43	404Ah					R/W



Logging setting( Function code : 03h , 06h , 10h ):

Parameter	Address	Range	Description	Default	Property
Log.Para 44	404Bh		Parameter code		R/W
Log.Para 45	404Ch		0: NONE 1: Ma.FREQ 2: Ma.V		R/W
Log.Para 46	404Dh		3: Ma.U 4: Ma.I 5: Ma.P		R/W
Log.Para 47	404Eh		6: Ma.Q 7: Ma.S 8: Ma.PF		R/W
Log.Para 48	404Fh		9: Ma.AE. Imp 10: Ma.RE. Imp 11: Ma.SE		R/W
Log.Para 49	4050h		12: Ba1-3.I 13: Ba1-3.P 14: Ba1-3.Q		R/W
Log.Para 50	4051h		15: Ba1-3.S 16: Ba1-3.PF		R/W
Log.Para 51	4052h		17: Ba1-3.AE. Imp		R/W
Log.Para 52	4053h		18: Ba1-3.RE. Imp 19: Ba1-3.SE 20: Ba4-6.I		R/W
Log.Para 53	4054h		21: Ba4-6.P 22: Ba4-6.Q 23: Ba4-6.S		R/W
Log.Para 54	4055h		24: Ba4-6.PF 25: Ba4-6.AE. Imp		R/W
Log.Para 55	4056h		26: Ba4-6.RE. Imp		R/W
Log.Para 56	4057h		27: Ba4-6.SE 28: Ba7-9.I 29: Ba7-9.P		R/W
Log.Para 57	4058h		30: Ba7-9.Q 31: Ba7-9.S 32: Ba7-9.PF		R/W
Log.Para 58	4059h		33: Ba7-9.AE. Imp 34: Ba7-9.RE. Imp		R/W
Log.Para 59	405Ah		35: Ba7-9.SE		R/W
Log.Para 60	405Bh		36: Ba10-12.I 37: Ba10-12.P 38: Ba10-12.Q		R/W
Log.Para 61	405Ch		39: Ba10-12.S 40: Ba10-12.PF		R/W
Log.Para 62	405Dh		41: Ba10-12.AE. Imp		R/W
Log.Para 63	405Eh		42: Ba10-12.RE. Imp 43: Ba10-12.SE		R/W
Log.Para 64	405Fh		44: Mb.FREQ		R/W
Log.Para 65	4060h		45: Mb.V 46: Mb.U 47: Mb.I		R/W
Log.Para 66	4061h		48: Mb.P 49: Mb.Q 50: Mb.S		R/W
Log.Para 67	4062h		51: Mb.PF 52: Mb.AE. Imp 53: Mb.RE. Imp		R/W
Log.Para 68	4063h		54: Mb.SE 55: Bb1-3.I 56: Bb1-3.P		R/W
Log.Para 69	4064h		57: Bb1-3.Q 58: Bb1-3.S 59: Bb1-3.PF		R/W
Log.Para 70	4065h		60: Bb1-3.AE. Imp 61: Bb1-3.RE. Imp		R/W
Log.Para 71	4066h		62: Bb1-3.SE		R/W
Log.Para 72	4067h		63: Bb4-6.I 64: Bb4-6.P 65: Bb4-6.Q		R/W
Log.Para 73	4068h		66: Bb4-6.S 67: Bb4-6.PF		R/W
Log.Para 74	4069h		68: Bb4-6.AE. Imp		R/W
Log.Para 75	406Ah		69: Bb4-6.RE. Imp 70: Bb4-6.SE 71: Bb7-9.I		R/W
Log.Para 76	406Bh		72: Bb7-9.P 73: Bb7-9.Q 74: Bb7-9.S		R/W
Log.Para 77	406Ch		75: Bb7-9.PF 76: Bb7-9.AE. Imp		R/W
Log.Para 78	406Dh		77: Bb7-9.RE. Imp		R/W
Log.Para 79	406Eh		78: Bb7-9.SE 79: Bb10-12.I 80: Bb10-12.P		R/W
Log.Para 80	406Fh		81: Bb10-12.Q 82: Bb10-12.S 83: Bb10-12.PF		R/W
Log.Para 81	4070h		84: Bb10-12.AE. Imp		R/W
Log.Para 82	4071h		85: Bb10-12.RE. Imp		R/W
Log.Para 83	4072h		86: Bb10-12.SE		R/W
Log.Para 84	4073h				R/W
Log.Para 85	4074h				R/W
Log.Para 86	4075h				R/W

User define setting( Function code : 03h, 06h, 10h ): Put the parameters address to U.DF01P~U.DF80P , and read the value from U.DF01V~U.DF80V

Parameter	Address	Range	Description	Default	Property
U.DF01P	5000h	Ma: 1000h~104Ch	1~80 parameter address for user assign	1000h	R/W
U.DF02P	5001h	Ma: 1059h~1060h		1000h	R/W
U.DF03P	5002h	Ba1-3: 1400h~145Bh		1000h	R/W
U.DF04P	5003h	Ba1-3: 1468h~146Bh		1000h	R/W
U.DF05P	5004h	Ba4-6: 1700h~175Bh		1000h	R/W
U.DF06P	5005h	Ba4-6: 1768h~176Bh		1000h	R/W
U.DF07P	5006h	Ba7-9: 1A00h~1A5Bh		1000h	R/W
U.DF08P	5007h	Ba7-9: 1A68h~1A6Bh		1000h	R/W
U.DF09P	5008h	Ba10-12: 1D00h~1D5Bh		1000h	R/W
U.DF10P	5009h	Ba10-12: 1D68h~1D6Bh		1000h	R/W
U.DF11P	500Ah	Mb: 2000h~204Ch		1000h	R/W
U.DF12P	500Bh	Mb: 2059h~2060h		1000h	R/W
U.DF13P	500Ch	Bb1-3: 2400h~245Bh		1000h	R/W
U.DF14P	500Dh	Bb1-3: 2468h~246Bh		1000h	R/W
U.DF15P	500Eh	Bb4-6: 2700h~275Bh		1000h	R/W
U.DF16P	500Fh	Bb4-6: 2768h~276Bh		1000h	R/W
U.DF17P	5010h	Bb7-9: 2A00h~2A5Bh		1000h	R/W
U.DF18P	5011h	Bb7-9: 2A68h~2A6Bh		1000h	R/W
U.DF19P	5012h	Bb10-12: 2D00h~2D5Bh		1000h	R/W
U.DF20P	5013h	Bb10-12: 2D68h~2D6Bh		1000h	R/W
U.DF21P	5014h			1000h	R/W
U.DF22P	5015h			1000h	R/W
U.DF23P	5016h			1000h	R/W
U.DF24P	5017h			1000h	R/W
U.DF25P	5018h			1000h	R/W
U.DF26P	5019h			1000h	R/W
U.DF27P	501Ah			1000h	R/W
U.DF28P	501Bh			1000h	R/W
U.DF29P	501Ch			1000h	R/W
U.DF30P	501Dh			1000h	R/W
U.DF31P	501Eh			1000h	R/W
U.DF32P	501Fh			1000h	R/W
U.DF33P	5020h			1000h	R/W
U.DF34P	5021h			1000h	R/W
U.DF35P	5022h			1000h	R/W
U.DF36P	5023h			1000h	R/W
U.DF37P	5024h			1000h	R/W
U.DF38P	5025h			1000h	R/W
U.DF39P	5026h			1000h	R/W
U.DF40P	5027h			1000h	R/W

User define setting( Function code : 03h, 06h, 10h ):

Parameter	Address	Range	Description	Default	Property
U.DF41P	5028h	Ma: 1000h~104Ch	1~80 parameter address for user assign	1000h	R/W
U.DF42P	5029h	Ma: 1059h~1060h		1000h	R/W
U.DF43P	502Ah	Ba1-3: 1400h~145Bh		1000h	R/W
U.DF44P	502Bh	Ba1-3: 1468h~146Bh		1000h	R/W
U.DF45P	502Ch	Ba4-6: 1700h~175Bh		1000h	R/W
U.DF46P	502Dh	Ba4-6: 1768h~176Bh		1000h	R/W
U.DF47P	502Eh	Ba7-9: 1A00h~1A5Bh		1000h	R/W
U.DF48P	502Fh	Ba7-9: 1A68h~1A6Bh		1000h	R/W
U.DF49P	5030h	Ba10-12: 1D00h~1D5Bh		1000h	R/W
U.DF50P	5031h	Ba10-12: 1D68h~1D6Bh		1000h	R/W
U.DF51P	5032h	Mb: 2000h~204Ch		1000h	R/W
U.DF52P	5033h	Mb: 2059h~2060h		1000h	R/W
U.DF53P	5034h	Bb1-3: 2400h~245Bh		1000h	R/W
U.DF54P	5035h	Bb1-3: 2468h~246Bh		1000h	R/W
U.DF55P	5036h	Bb4-6: 2700h~275Bh		1000h	R/W
U.DF56P	5037h	Bb4-6: 2768h~276Bh		1000h	R/W
U.DF57P	5038h	Bb7-9: 2A00h~2A5Bh		1000h	R/W
U.DF58P	5039h	Bb7-9: 2A68h~2A6Bh		1000h	R/W
U.DF59P	503Ah	Bb10-12: 2D00h~2D5Bh		1000h	R/W
U.DF60P	503Bh	Bb10-12: 2D68h~2D6Bh		1000h	R/W
U.DF61P	503Ch			1000h	R/W
U.DF62P	503Dh			1000h	R/W
U.DF63P	503Eh			1000h	R/W
U.DF64P	503Fh			1000h	R/W
U.DF65P	5040h			1000h	R/W
U.DF66P	5041h			1000h	R/W
U.DF67P	5042h			1000h	R/W
U.DF68P	5043h			1000h	R/W
U.DF69P	5044h			1000h	R/W
U.DF70P	5045h			1000h	R/W
U.DF71P	5046h			1000h	R/W
U.DF72P	5047h			1000h	R/W
U.DF73P	5048h			1000h	R/W
U.DF74P	5049h			1000h	R/W
U.DF75P	504Ah			1000h	R/W
U.DF76P	504Bh			1000h	R/W
U.DF77P	504Ch			1000h	R/W
U.DF78P	504Dh			1000h	R/W
U.DF79P	504Eh			1000h	R/W
U.DF80P	504Fh			1000h	R/W

User define setting( Function code : 03h, 06h, 10h ):

Parameter	Address	Range	Description	Default	Property
U.DF01V	5100h		Values from 1~80 parameter assignment		R
U.DF02V	5101h				R
U.DF03V	5102h				R
U.DF04V	5103h				R
U.DF05V	5104h				R
U.DF06V	5105h				R
U.DF07V	5106h				R
U.DF08V	5107h				R
U.DF09V	5108h				R
U.DF10V	5109h				R
U.DF11V	510Ah				R
U.DF12V	510Bh				R
U.DF13V	510Ch				R
U.DF14V	510Dh				R
U.DF15V	510Eh				R
U.DF16V	510Fh				R
U.DF17V	5110h				R
U.DF18V	5111h				R
U.DF19V	5112h				R
U.DF20V	5113h				R
U.DF21V	5114h				R
U.DF22V	5115h				R
U.DF23V	5116h				R
U.DF24V	5117h				R
U.DF25V	5118h				R
U.DF26V	5119h				R
U.DF27V	511Ah				R
U.DF28V	511Bh				R
U.DF29V	511Ch				R
U.DF30V	511Dh				R
U.DF31V	511Eh				R
U.DF32V	511Fh				R
U.DF33V	5120h				R
U.DF34V	5121h				R
U.DF35V	5122h				R
U.DF36V	5123h				R
U.DF37V	5124h				R
U.DF38V	5125h				R
U.DF39V	5126h				R
U.DF40V	5127h				R

User define setting( Function code : 03h, 06h, 10h ):

Parameter	Address	Range	Description	Default	Property
U.DF41V	5128h		Values from 1~80 parameter assignment		R
U.DF42V	5129h				R
U.DF43V	512Ah				R
U.DF44V	512Bh				R
U.DF45V	512Ch				R
U.DF46V	512Dh				R
U.DF47V	512Eh				R
U.DF48V	512Fh				R
U.DF49V	5130h				R
U.DF50V	5131h				R
U.DF51V	5132h				R
U.DF52V	5133h				R
U.DF53V	5134h				R
U.DF54V	5135h				R
U.DF55V	5136h				R
U.DF56V	5137h				R
U.DF57V	5138h				R
U.DF58V	5139h				R
U.DF59V	513Ah				R
U.DF60V	513Bh				R
U.DF61V	513Ch				R
U.DF62V	513Dh				R
U.DF63V	513Eh				R
U.DF64V	513Fh				R
U.DF65V	5140h				R
U.DF66V	5141h				R
U.DF67V	5142h				R
U.DF68V	5143h				R
U.DF69V	5144h				R
U.DF70V	5145h				R
U.DF71V	5146h				R
U.DF72V	5147h				R
U.DF73V	5148h				R
U.DF74V	5149h				R
U.DF75V	514Ah				R
U.DF76V	514Bh				R
U.DF77V	514Ch				R
U.DF78V	514Dh				R
U.DF79V	514Eh				R
U.DF80V	514Fh				R

Current month TOU energy ( Function : 03h ):

Parameter	Address	Range	Description	Default	Property
Ma.AE.Imp(sharp)	6000h	0.0~99999999.9kWh	Ma import active energy (sharp)(High Word)	0	R
	6001h		Ma import active energy (sharp)(Low Word)	0	R
Ba1.AE.Imp(sharp)	6002h	0.0~99999999.9kWh	Ma、Mb、Ba1~12、Bb1~12 Ba1-3~Ba9-12、Bb1-3~Bb9-12 Import active energy (sharp)	0	R
	6003h			0	R
Ba2.AE.Imp(sharp)	6004h	0.0~99999999.9kWh		0	R
	6005h			0	R
Ba3.AE.Imp(sharp)	6006h	0.0~99999999.9kWh		0	R
	6007h			0	R
Ba1-3.AE.Imp(sharp)	6008h	0.0~99999999.9kWh		0	R
	6009h			0	R
Ba4.AE.Imp(sharp)	600Ah	0.0~99999999.9kWh		0	R
	600Bh			0	R
Ba5.AE.Imp(sharp)	600Ch	0.0~99999999.9kWh		0	R
	600Dh			0	R
Ba6.AE.Imp(sharp)	600Eh	0.0~99999999.9kWh		0	R
	600Fh			0	R
Ba4-6.AE.Imp(sharp)	6010h	0.0~99999999.9kWh		0	R
	6011h			0	R
Ba7.AE.Imp(sharp)	6012h	0.0~99999999.9kWh		0	R
	6013h			0	R
Ba8.AE.Imp(sharp)	6014h	0.0~99999999.9kWh		0	R
	6015h			0	R
Ba9.AE.Imp(sharp)	6016h	0.0~99999999.9kWh		0	R
	6017h			0	R
Ba7-9.AE.Imp(sharp)	6018h	0.0~99999999.9kWh		0	R
	6019h			0	R
Ba10.AE.Imp(sharp)	601Ah	0.0~99999999.9kWh	0	R	
	601Bh		0	R	
Ba11.AE.Imp(sharp)	601Ch	0.0~99999999.9kWh	0	R	
	601Dh		0	R	
Ba12.AE.Imp(sharp)	601Eh	0.0~99999999.9kWh	0	R	
	601Fh		0	R	
Ba10-12.AE.Imp (sharp)	6020h	0.0~99999999.9kWh	0	R	
	6021h		0	R	
Mb.AE.Imp(sharp)	6022h	0.0~99999999.9kWh	0	R	
	6023h		0	R	
Bb1.AE.Imp(sharp)	6024h	0.0~99999999.9kWh	0	R	
	6025h		0	R	
Bb2.AE.Imp(sharp)	6026h	0.0~99999999.9kWh	0	R	
	6027h		0	R	
Bb3.AE.Imp(sharp)	6028h	0.0~99999999.9kWh	0	R	
	6029h		0	R	
Bb1-3.AE.Imp (sharp)	602Ah	0.0~99999999.9kWh	0	R	
	602Bh		0	R	
Bb4.AE.Imp(sharp)	602Ch	0.0~99999999.9kWh	0	R	
	602Dh		0	R	
Bb5.AE.Imp(sharp)	602Eh	0.0~99999999.9kWh	0	R	
	602Fh		0	R	
Bb6.AE.Imp(sharp)	6030h	0.0~99999999.9kWh	0	R	
	6031h		0	R	
Bb4-6.AE.Imp (sharp)	6032h	0.0~99999999.9kWh	0	R	
	6033h		0	R	
Bb7.AE.Imp(sharp)	6034h	0.0~99999999.9kWh	0	R	
	6035h		0	R	
Bb8.AE.Imp(sharp)	6036h	0.0~99999999.9kWh	0	R	
	6037h		0	R	
Bb9.AE.Imp(sharp)	6038h	0.0~99999999.9kWh	0	R	
	6039h		0	R	
Bb7-9.AE.Imp (sharp)	603Ah	0.0~99999999.9kWh	0	R	
	603Bh		0	R	

Parameter	Address	Range	Description	Default	Property	
Bb10.AE.Imp(sharp)	603Ch	0.0~99999999.9kWh	Ma、Mb、Ba1~12、Bb1~12 Ba1-3~Ba9-12、Bb1-3~Bb9-12 Import active energy (sharp)	0	R	
	603Dh			0	R	
Bb11.AE.Imp(sharp)	603Eh	0.0~99999999.9kWh		0	R	
	603Fh			0	R	
Bb12.AE.Imp(sharp)	6040h	0.0~99999999.9kWh		0	R	
	6041h			0	R	
Bb10-12.AE.Imp (sharp)	6042h	0.0~99999999.9kWh		0	R	
	6043h			0	R	
Ma.RE.Imp(sharp)	6044h	0.0~99999999.9kVARh		Ma import reactive energy (sharp)(High Word)	0	R
	6045h			Ma import reactive energy (sharp)(Low Word)	0	R
Ba1.RE.Imp(sharp)	6046h	0.0~99999999.9kVARh		Ma、Mb、Ba1~12、Bb1~12 Ba1-3~Ba9-12、Bb1-3~Bb9-12 Import reactive energy (sharp)	0	R
	6047h				0	R
Ba2.RE.Imp(sharp)	6048h	0.0~99999999.9kVARh			0	R
	6049h				0	R
Ba3.RE.Imp(sharp)	604Ah	0.0~99999999.9kVARh			0	R
	604Bh				0	R
Ba1-3.RE.Imp(sharp)	604Ch	0.0~99999999.9kVARh	0		R	
	604Dh		0		R	
Ba4.RE.Imp(sharp)	604Eh	0.0~99999999.9kVARh	0		R	
	604Fh		0		R	
Ba5.RE.Imp(sharp)	6050h	0.0~99999999.9kVARh	0		R	
	6051h		0		R	
Ba6.RE.Imp(sharp)	6052h	0.0~99999999.9kVARh	0		R	
	6053h		0		R	
Ba4-6.RE.Imp(sharp)	6054h	0.0~99999999.9kVARh	0		R	
	6055h		0		R	
Ba7.RE.Imp(sharp)	6056h	0.0~99999999.9kVARh	0		R	
	6057h		0		R	
Ba8.RE.Imp(sharp)	6058h	0.0~99999999.9kVARh	0		R	
	6059h		0		R	
Ba9.RE.Imp(sharp)	605Ah	0.0~99999999.9kVARh	0		R	
	605Bh		0		R	
Ba7-9.RE.Imp(sharp)	605Ch	0.0~99999999.9kVARh	0		R	
	605Dh		0		R	
Ba10.RE.Imp(sharp)	605EH	0.0~99999999.9kVARh	0		R	
	605Fh		0		R	
Ba11.RE.Imp(sharp)	6060h	0.0~99999999.9kVARh	0		R	
	6061h		0		R	
Ba12.RE.Imp(sharp)	6062h	0.0~99999999.9kVARh	0		R	
	6063h		0		R	
Ba10-12.RE.Imp (sharp)	6064h	0.0~99999999.9kVARh	0		R	
	6065h		0		R	
Mb.RE.Imp(sharp)	6066h	0.0~99999999.9kVARh	0	R		
	6067h		0	R		
Bb1.RE.Imp(sharp)	6068h	0.0~99999999.9kVARh	0	R		
	6069h		0	R		
Bb2.RE.Imp(sharp)	606Ah	0.0~99999999.9kVARh	0	R		
	606Bh		0	R		
Bb3.RE.Imp(sharp)	606Ch	0.0~99999999.9kVARh	0	R		
	606Dh		0	R		
Bb1-3.RE.Imp (sharp)	606Eh	0.0~99999999.9kVARh	0	R		
	606Fh		0	R		
Bb4.RE.Imp(sharp)	6070h	0.0~99999999.9kVARh	0	R		
	6071h		0	R		
Bb5.RE.Imp(sharp)	6072h	0.0~99999999.9kVARh	0	R		
	6073h		0	R		
Bb6.RE.Imp(sharp)	6074h	0.0~99999999.9kVARh	0	R		
	6075h		0	R		
Bb4-6.RE.Imp (sharp)	6076h	0.0~99999999.9kVARh	0	R		
	6077h		0	R		

Parameter	Address	Range	Description	Default	Property	
Bb7.RE.Imp(sharp)	6078h	0.0~99999999.9kVARh	Ma、Mb、Ba1~12、Bb1~12 Ba1-3~Ba9-12、Bb1-3~Bb9-12 Import reactive energy (sharp)	0	R	
	6079h			0	R	
Bb8.RE.Imp(sharp)	607Ah	0.0~99999999.9kVARh		0	R	
	607Bh			0	R	
Bb9.RE.Imp(sharp)	607Ch	0.0~99999999.9kVARh		0	R	
	607Dh			0	R	
Bb7-9.RE.Imp (sharp)	607Eh	0.0~99999999.9kVARh		0	R	
	607Fh			0	R	
Bb10.RE.Imp (sharp)	6080h	0.0~99999999.9kVARh		0	R	
	6081h			0	R	
Bb11.RE.Imp(sharp)	6082h	0.0~99999999.9kVARh		0	R	
	6083h			0	R	
Bb12.RE.Imp(sharp)	6084h	0.0~99999999.9kVARh		0	R	
	6085h			0	R	
Bb10-12.RE.Imp (sharp)	6086h	0.0~99999999.9kVARh		0	R	
	6087h			0	R	
Ma.SE(sharp)	6088h	0.0~99999999.9kVAh		Ma apparent energy (sharp) (High Word)	0	R
	6089h			Ma apparent energy (sharp) (Low Word)	0	R
Ba1.SE(sharp)	608Ah	0.0~99999999.9kVAh		Ma、Mb、Ba1~12、Bb1~12 Ba1-3~Ba9-12、Bb1-3~Bb9-12 Apparent energy (sharp)	0	R
	608Bh				0	R
Ba2.SE(sharp)	608Ch	0.0~99999999.9kVAh			0	R
	608Dh				0	R
Ba3.SE(sharp)	608Eh	0.0~99999999.9kVAh			0	R
	608Fh				0	R
Ba1-3.SE(sharp)	6090h	0.0~99999999.9kVAh			0	R
	6091h				0	R
Ba4.SE(sharp)	6092h	0.0~99999999.9kVAh			0	R
	6093h				0	R
Ba5.SE(sharp)	6094h	0.0~99999999.9kVAh	0		R	
	6095h		0		R	
Ba6.SE(sharp)	6096h	0.0~99999999.9kVAh	0		R	
	6097h		0		R	
Ba4-6.SE(sharp)	6098h	0.0~99999999.9kVAh	0		R	
	6099h		0		R	
Ba7.SE(sharp)	609Ah	0.0~99999999.9kVAh	0		R	
	609Bh		0		R	
Ba8.SE(sharp)	609Ch	0.0~99999999.9kVAh	0		R	
	609Dh		0		R	
Ba9.SE(sharp)	609Eh	0.0~99999999.9kVAh	0		R	
	609Fh		0		R	
Ba7-9.SE(sharp)	60A0h	0.0~99999999.9kVAh	0		R	
	60A1h		0		R	
Ba10.SE(sharp)	60A2h	0.0~99999999.9kVAh	0		R	
	60A3h		0		R	
Ba11.SE(sharp)	60A4h	0.0~99999999.9kVAh	0		R	
	60A5h		0		R	
Ba12.SE(sharp)	60A6h	0.0~99999999.9kVAh	0	R		
	60A7h		0	R		
Ba10-12.SE(sharp)	60A8h	0.0~99999999.9kVAh	0	R		
	60A9h		0	R		
Mb.SE(sharp)	60AAh	0.0~99999999.9kVAh	0	R		
	60ABh		0	R		
Bb1.SE(sharp)	60ACh	0.0~99999999.9kVAh	0	R		
	60ADh		0	R		
Bb2.SE(sharp)	60AEh	0.0~99999999.9kVAh	0	R		
	60AFh		0	R		
Bb3.SE(sharp)	60B0h	0.0~99999999.9kVAh	0	R		
	60B1h		0	R		
Bb1-3.SE(sharp)	60B2h	0.0~99999999.9kVAh	0	R		
	60B3h		0	R		



Parameter	Address	Range	Description	Default	Property	
Bb4.SE(sharp)	60B4h	0.0~99999999.9kVAh	Ma、Mb、Ba1~12、Bb1~12 Ba1-3~Ba9-12、Bb1-3~Bb9-12 Apparent energy (sharp)	0	R	
	60B5h			0	R	
Bb5.SE(sharp)	60B6h	0.0~99999999.9kVAh		0	R	
	60B7h			0	R	
Bb6.SE(sharp)	60B8h	0.0~99999999.9kVAh		0	R	
	60B9h			0	R	
Bb4-6.SE(sharp)	60BAh	0.0~99999999.9kVAh		0	R	
	60BBh			0	R	
Bb7.SE(sharp)	60BCh	0.0~99999999.9kVAh		0	R	
	60BDh			0	R	
Bb8.SE(sharp)	60BEh	0.0~99999999.9kVAh		0	R	
	60BFh			0	R	
Bb9.SE(sharp)	60C0h	0.0~99999999.9kVAh		0	R	
	60C1h			0	R	
Bb7-9.SE(sharp)	60C2h	0.0~99999999.9kVAh		0	R	
	60C3h			0	R	
Bb10.SE(sharp)	60C4h	0.0~99999999.9kVAh		0	R	
	60C5h			0	R	
Bb11.SE(sharp)	60C6h	0.0~99999999.9kVAh		0	R	
	60C7h			0	R	
Bb12.SE(sharp)	60C8h	0.0~99999999.9kVAh		0	R	
	60C9h			0	R	
Bb10-12.SE(sharp)	60CAh	0.0~99999999.9kVAh		0	R	
	60CBh			0	R	
Ma.AE.Imp(peak)	60CCh	0.0~99999999.9kWh		Ma import active energy (peak)(High Word)	0	R
	60CDh			Ma import active energy (peak)(Low Word)	0	R
Ba1.AE.Imp(peak)	60CEh	0.0~99999999.9kWh		Ma、Mb、Ba1~12、Bb1~12 Ba1-3~Ba9-12、Bb1-3~Bb9-12 Import active energy (peak)	0	R
	60CFh				0	R
Ba2.AE.Imp(peak)	60D0h	0.0~99999999.9kWh			0	R
	60D1h				0	R
Ba3.AE.Imp(peak)	60D2h	0.0~99999999.9kWh			0	R
	60D3h				0	R
Ba1-3.AE.Imp(peak)	60D4h	0.0~99999999.9kWh	0		R	
	60D5h		0		R	
Ba4.AE.Imp(peak)	60D6h	0.0~99999999.9kWh	0		R	
	60D7h		0		R	
Ba5.AE.Imp(peak)	60D8h	0.0~99999999.9kWh	0		R	
	60D9h		0		R	
Ba6.AE.Imp(peak)	60DAh	0.0~99999999.9kWh	0		R	
	60DBh		0		R	
Ba4-6.AE.Imp(peak)	60DCh	0.0~99999999.9kWh	0		R	
	60DDh		0		R	
Ba7.AE.Imp(peak)	60DEh	0.0~99999999.9kWh	0		R	
	60DFh		0		R	
Ba8.AE.Imp(peak)	60E0h	0.0~99999999.9kWh	0		R	
	60E1h		0		R	
Ba9.AE.Imp(peak)	60E2h	0.0~99999999.9kWh	0		R	
	60E3h		0		R	
Ba7-9.AE.Imp(peak)	60E4h	0.0~99999999.9kWh	0		R	
	60E5h		0		R	
Ba10.AE.Imp(peak)	60E6h	0.0~99999999.9kWh	0		R	
	60E7h		0		R	
Ba11.AE.Imp(peak)	60E8h	0.0~99999999.9kWh	0		R	
	60E9h		0		R	
Ba12.AE.Imp(peak)	60EAh	0.0~99999999.9kWh	0		R	
	60EBh		0		R	
Ba10-12.AE.Imp(peak)	60ECh	0.0~99999999.9kWh	0		R	
	60EDh		0		R	
Mb.AE.Imp(peak)	60EEh	0.0~99999999.9kWh	0	R		
	60EFh		0	R		

Parameter	Address	Range	Description	Default	Property
Bb1.AE.Imp(peak)	60F0h	0.0~99999999.9kWh	Ma、Mb、Ba1~12、Bb1~12 Ba1-3~Ba9-12、Bb1-3~Bb9-12 Import active energy (peak)	0	R
	60F1h			0	R
Bb2.AE.Imp(peak)	60F2h	0.0~99999999.9kWh		0	R
	60F3h			0	R
Bb3.AE.Imp(peak)	60F4h	0.0~99999999.9kWh		0	R
	60F5h			0	R
Bb1-3.AE.Imp(peak)	60F6h	0.0~99999999.9kWh		0	R
	60F7h			0	R
Bb4.AE.Imp(peak)	60F8h	0.0~99999999.9kWh		0	R
	60F9h			0	R
Bb5.AE.Imp(peak)	60FAh	0.0~99999999.9kWh		0	R
	60FBh			0	R
Bb6.AE.Imp(peak)	60FCh	0.0~99999999.9kWh		0	R
	60FDh			0	R
Bb4-6.AE.Imp(peak)	60FEh	0.0~99999999.9kWh		0	R
	60FFh			0	R
Bb7.AE.Imp(peak)	6100h	0.0~99999999.9kWh		0	R
	6101h			0	R
Bb8.AE.Imp(peak)	6102h	0.0~99999999.9kWh		0	R
	6103h			0	R
Bb9.AE.Imp(peak)	6104h	0.0~99999999.9kWh		0	R
	6105h			0	R
Bb7-9.AE.Imp(peak)	6106h	0.0~99999999.9kWh		0	R
	6107h			0	R
Bb10.AE.Imp(peak)	6108h	0.0~99999999.9kWh		0	R
	6109h			0	R
Bb11.AE.Imp(peak)	610Ah	0.0~99999999.9kWh		0	R
	610Bh			0	R
Bb12.AE.Imp(peak)	610Ch	0.0~99999999.9kWh		0	R
	610Dh			0	R
Bb10-12.AE.Imp(peak)	610Eh	0.0~99999999.9kWh	0	R	
	610Fh		0	R	
Ma.RE.Imp(peak)	6110h	0.0~99999999.9kVARh	Ma import reactive energy (peak)(High Word)	0	R
	6111h		Ma import reactive energy (peak)(Low Word)	0	R
Ba1.RE.Imp(peak)	6112h	0.0~99999999.9kVARh	Ma、Mb、Ba1~12、Bb1~12 Ba1-3~Ba9-12、Bb1-3~Bb9-12 Import reactive energy (peak)	0	R
	6113h			0	R
Ba2.RE.Imp(peak)	6114h	0.0~99999999.9kVARh		0	R
	6115h			0	R
Ba3.RE.Imp(peak)	6116h	0.0~99999999.9kVARh		0	R
	6117h			0	R
Ba1-3.RE.Imp(peak)	6118h	0.0~99999999.9kVARh		0	R
	6119h			0	R
Ba4.RE.Imp(peak)	611Ah	0.0~99999999.9kVARh		0	R
	611Bh			0	R
Ba5.RE.Imp(peak)	611Ch	0.0~99999999.9kVARh		0	R
	611Dh			0	R
Ba6.RE.Imp(peak)	611Eh	0.0~99999999.9kVARh		0	R
	611Fh			0	R
Ba4-6.RE.Imp(peak)	6120h	0.0~99999999.9kVARh		0	R
	6121h			0	R
Ba7.RE.Imp(peak)	6122h	0.0~99999999.9kVARh		0	R
	6123h			0	R
Ba8.RE.Imp(peak)	6124h	0.0~99999999.9kVARh		0	R
	6125h			0	R
Ba9.RE.Imp(peak)	6126h	0.0~99999999.9kVARh		0	R
	6127h			0	R
Ba7-9.RE.Imp(peak)	6128h	0.0~99999999.9kVARh		0	R
	6129h			0	R
Ba10.RE.Imp(peak)	612Ah	0.0~99999999.9kVARh		0	R
	612Bh			0	R

Parameter	Address	Range	Description	Default	Property
Ba11.RE.Imp(peak)	612Ch	0.0~99999999.9kVARh	Ma、Mb、Ba1~12、Bb1~12 Ba1-3~Ba9-12、Bb1-3~Bb9-12 Import reactive energy (peak)	0	R
	612Dh			0	R
Ba12.RE.Imp(peak)	612Eh	0.0~99999999.9kVARh		0	R
	612Fh			0	R
Ba10-12.RE.Imp(peak)	6130h	0.0~99999999.9kVARh		0	R
	6131h			0	R
Mb.RE.Imp(peak)	6132h	0.0~99999999.9kVARh		0	R
	6133h			0	R
Bb1.RE.Imp(peak)	6134h	0.0~99999999.9kVARh		0	R
	6135h			0	R
Bb2.RE.Imp(peak)	6136h	0.0~99999999.9kVARh		0	R
	6137h			0	R
Bb3.RE.Imp(peak)	6138h	0.0~99999999.9kVARh		0	R
	6139h			0	R
Bb1-3.RE.Imp(peak)	613Ah	0.0~99999999.9kVARh		0	R
	613Bh			0	R
Bb4.RE.Imp(peak)	613Ch	0.0~99999999.9kVARh		0	R
	613Dh			0	R
Bb5.RE.Imp(peak)	613Eh	0.0~99999999.9kVARh		0	R
	613Fh			0	R
Bb6.RE.Imp(peak)	6140h	0.0~99999999.9kVARh		0	R
	6141h			0	R
Bb4-6.RE.Imp(peak)	6142h	0.0~99999999.9kVARh		0	R
	6143h			0	R
Bb7.RE.Imp(peak)	6144h	0.0~99999999.9kVARh		0	R
	6145h			0	R
Bb8.RE.Imp(peak)	6146h	0.0~99999999.9kVARh		0	R
	6147h			0	R
Bb9.RE.Imp(peak)	6148h	0.0~99999999.9kVARh	0	R	
	6149h		0	R	
Bb7-9.RE.Imp(peak)	614Ah	0.0~99999999.9kVARh	0	R	
	614Bh		0	R	
Bb10.RE.Imp(peak)	614Ch	0.0~99999999.9kVARh	0	R	
	614Dh		0	R	
Bb11.RE.Imp(peak)	614Eh	0.0~99999999.9kVARh	0	R	
	614Fh		0	R	
Bb12.RE.Imp(peak)	6150h	0.0~99999999.9kVARh	0	R	
	6151h		0	R	
Bb10-12.RE.Imp(peak)	6152h	0.0~99999999.9kVARh	0	R	
	6153h		0	R	
Ma.SE(peak)	6154h	0.0~99999999.9kVAh	Ma apparent energy (peak) (High Word)	0	R
	6155h		Ma apparent energy (peak) (Low Word)	0	R
Ba1.SE(peak)	6156h	0.0~99999999.9kVAh	Ma、Mb、Ba1~12、Bb1~12 Ba1-3~Ba9-12、Bb1-3~Bb9-12 Apparent energy (peak)	0	R
	6157h			0	R
Ba2.SE(peak)	6158h	0.0~99999999.9kVAh		0	R
	6159h			0	R
Ba3.SE(peak)	615Ah	0.0~99999999.9kVAh		0	R
	615Bh			0	R
Ba1-3.SE(peak)	615Ch	0.0~99999999.9kVAh		0	R
	615Dh			0	R
Ba4.SE(peak)	615EH	0.0~99999999.9kVAh		0	R
	615Fh			0	R
Ba5.SE(peak)	6160h	0.0~99999999.9kVAh		0	R
	6161h			0	R
Ba6.SE(peak)	6162h	0.0~99999999.9kVAh		0	R
	6163h			0	R
Ba4-6.SE(peak)	6164h	0.0~99999999.9kVAh		0	R
	6165h			0	R
Ba7.SE(peak)	6166h	0.0~99999999.9kVAh		0	R
	6167h			0	R

Parameter	Address	Range	Description	Default	Property
Ba8.SE(peak)	6168h	0.0~99999999.9kVAh	Ma、Mb、Ba1~12、Bb1~12 Ba1-3~Ba9-12、Bb1-3~Bb9-12 Apparent energy (peak)	0	R
	6169h			0	R
Ba9.SE(peak)	616Ah	0.0~99999999.9kVAh		0	R
	616Bh			0	R
Ba7-9.SE(peak)	616Ch	0.0~99999999.9kVAh		0	R
	616Dh			0	R
Ba10.SE(peak)	616Eh	0.0~99999999.9kVAh		0	R
	616Fh			0	R
Ba11.SE(peak)	6170h	0.0~99999999.9kVAh		0	R
	6171h			0	R
Ba12.SE(peak)	6172h	0.0~99999999.9kVAh		0	R
	6173h			0	R
Ba10-12.SE(peak)	6174h	0.0~99999999.9kVAh		0	R
	6175h			0	R
Mb.SE(peak)	6176h	0.0~99999999.9kVAh		0	R
	6177h			0	R
Bb1.SE(peak)	6178h	0.0~99999999.9kVAh		0	R
	6179h			0	R
Bb2.SE(peak)	617Ah	0.0~99999999.9kVAh		0	R
	617Bh			0	R
Bb3.SE(peak)	617Ch	0.0~99999999.9kVAh		0	R
	617Dh			0	R
Bb1-3.SE(peak)	617Eh	0.0~99999999.9kVAh		0	R
	617Fh			0	R
Bb4.SE(peak)	6180h	0.0~99999999.9kVAh		0	R
	6181h			0	R
Bb5.SE(peak)	6182h	0.0~99999999.9kVAh		0	R
	6183h			0	R
Bb6.SE(peak)	6184h	0.0~99999999.9kVAh		0	R
	6185h			0	R
Bb4-6.SE(peak)	6186h	0.0~99999999.9kVAh		0	R
	6187h			0	R
Bb7.SE(peak)	6188h	0.0~99999999.9kVAh		0	R
	6189h			0	R
Bb8.SE(peak)	618Ah	0.0~99999999.9kVAh		0	R
	618Bh			0	R
Bb9.SE(peak)	618Ch	0.0~99999999.9kVAh		0	R
	618Dh			0	R
Bb7-9.SE(peak)	618Eh	0.0~99999999.9kVAh		0	R
	618Fh			0	R
Bb10.SE(peak)	6190h	0.0~99999999.9kVAh		0	R
	6191h			0	R
Bb11.SE(peak)	6192h	0.0~99999999.9kVAh		0	R
	6193h			0	R
Bb12.SE(peak)	6194h	0.0~99999999.9kVAh		0	R
	6195h			0	R
Bb10-12.SE(peak)	6196h	0.0~99999999.9kVAh		0	R
	6197h			0	R
Ma.AE.Imp(valley)	6198h	0.0~99999999.9kWh	Ma import active energy (valley)(High Word)	0	R
	6199h		Ma import active energy (valley)(Low Word)	0	R
Ba1.AE.Imp(valley)	619Ah	0.0~99999999.9kWh	Ma、Mb、Ba1~12、Bb1~12 Ba1-3~Ba9-12、Bb1-3~Bb9-12 Import active energy (valley)	0	R
	619Bh			0	R
Ba2.AE.Imp(valley)	619Ch	0.0~99999999.9kWh		0	R
	619Dh			0	R
Ba3.AE.Imp(valley)	619Eh	0.0~99999999.9kWh		0	R
	619Fh			0	R
Ba1-3.AE.Imp(valley)	61A0h	0.0~99999999.9kWh		0	R
	61A1h			0	R
Ba4.AE.Imp(valley)	61A2h	0.0~99999999.9kWh		0	R
	61A3h			0	R

Parameter	Address	Range	Description	Default	Property
Ba5.AE.Imp(valley)	61A4h	0.0~99999999.9kWh	Ma、Mb、Ba1~12、Bb1~12 Ba1-3~Ba9-12、Bb1-3~Bb9-12 Import active energy (valley)	0	R
	61A5h			0	R
Ba6.AE.Imp(valley)	61A6h	0.0~99999999.9kWh		0	R
	61A7h			0	R
Ba4-6.AE.Imp(valley)	61A8h	0.0~99999999.9kWh		0	R
	61A9h			0	R
Ba7.AE.Imp(valley)	61AAh	0.0~99999999.9kWh		0	R
	61ABh			0	R
Ba8.AE.Imp(valley)	61ACh	0.0~99999999.9kWh		0	R
	61ADh			0	R
Ba9.AE.Imp(valley)	61AEh	0.0~99999999.9kWh		0	R
	61AFh			0	R
Ba7-9.AE.Imp(valley)	61B0h	0.0~99999999.9kWh		0	R
	61B1h			0	R
Ba10.AE.Imp(valley)	61B2h	0.0~99999999.9kWh		0	R
	61B3h			0	R
Ba11.AE.Imp(valley)	61B4h	0.0~99999999.9kWh		0	R
	61B5h			0	R
Ba12.AE.Imp(valley)	61B6h	0.0~99999999.9kWh		0	R
	61B7h			0	R
Ba10-12.AE.Imp (valley)	61B8h	0.0~99999999.9kWh		0	R
	61B9h			0	R
Mb.AE.Imp(valley)	61BAh	0.0~99999999.9kWh		0	R
	61BBh			0	R
Bb1.AE.Imp(valley)	61BCh	0.0~99999999.9kWh		0	R
	61BDh			0	R
Bb2.AE.Imp(valley)	61BEh	0.0~99999999.9kWh		0	R
	61BFh			0	R
Bb3.AE.Imp(valley)	61C0h	0.0~99999999.9kWh	0	R	
	61C1h		0	R	
Bb1-3.AE.Imp(valley)	61C2h	0.0~99999999.9kWh	0	R	
	61C3h		0	R	
Bb4.AE.Imp(valley)	61C4h	0.0~99999999.9kWh	0	R	
	61C5h		0	R	
Bb5.AE.Imp(valley)	61C6h	0.0~99999999.9kWh	0	R	
	61C7h		0	R	
Bb6.AE.Imp(valley)	61C8h	0.0~99999999.9kWh	0	R	
	61C9h		0	R	
Bb4-6.AE.Imp(valley)	61CAh	0.0~99999999.9kWh	0	R	
	61CBh		0	R	
Bb7.AE.Imp(valley)	61CCh	0.0~99999999.9kWh	0	R	
	61CDh		0	R	
Bb8.AE.Imp(valley)	61CEh	0.0~99999999.9kWh	0	R	
	61CFh		0	R	
Bb9.AE.Imp(valley)	61D0h	0.0~99999999.9kWh	0	R	
	61D1h		0	R	
Bb7-9.AE.Imp(valley)	61D2h	0.0~99999999.9kWh	0	R	
	61D3h		0	R	
Bb10.AE.Imp(valley)	61D4h	0.0~99999999.9kWh	0	R	
	61D5h		0	R	
Bb11.AE.Imp(valley)	61D6h	0.0~99999999.9kWh	0	R	
	61D7h		0	R	
Bb12.AE.Imp(valley)	61D8h	0.0~99999999.9kWh	0	R	
	61D9h		0	R	
Bb10-12.AE.Imp (valley)	61DAh	0.0~99999999.9kWh	0	R	
	61DBh		0	R	
Ma.RE.Imp(valley)	61DCh	0.0~99999999.9kVARh	Ma import active energy (valley)(High Word)	0	R
	61DDh		Ma import active energy (valley)(Low Word)	0	R
Ba1.RE.Imp(valley)	61DEh	0.0~99999999.9kVARh		0	R
	61DFh			0	R

Parameter	Address	Range	Description	Default	Property
Ba2.RE.Imp(valley)	61E0h	0.0~99999999.9kVARh	Ma、Mb、Ba1~12、Bb1~12 Ba1-3~Ba9-12、Bb1-3~Bb9-12 Import reactive energy (valley)	0	R
	61E1h			0	R
Ba3.RE.Imp(valley)	61E2h	0.0~99999999.9kVARh		0	R
	61E3h			0	R
Ba1-3.RE.Imp(valley)	61E4h	0.0~99999999.9kVARh		0	R
	61E5h			0	R
Ba4.RE.Imp(valley)	61E6h	0.0~99999999.9kVARh		0	R
	61E7h			0	R
Ba5.RE.Imp(valley)	61E8h	0.0~99999999.9kVARh		0	R
	61E9h			0	R
Ba6.RE.Imp(valley)	61EAh	0.0~99999999.9kVARh		0	R
	61EBh			0	R
Ba4-6.RE.Imp(valley)	61ECh	0.0~99999999.9kVARh		0	R
	61EDh			0	R
Ba7.RE.Imp(valley)	61EEh	0.0~99999999.9kVARh		0	R
	61EFh			0	R
Ba8.RE.Imp(valley)	61F0h	0.0~99999999.9kVARh		0	R
	61F1h			0	R
Ba9.RE.Imp(valley)	61F2h	0.0~99999999.9kVARh		0	R
	61F3h			0	R
Ba7-9.RE.Imp(valley)	61F4h	0.0~99999999.9kVARh		0	R
	61F5h			0	R
Ba10.RE.Imp(valley)	61F6h	0.0~99999999.9kVARh		0	R
	61F7h			0	R
Ba11.RE.Imp(valley)	61F8h	0.0~99999999.9kVARh		0	R
	61F9h			0	R
Ba12.RE.Imp(valley)	61FAh	0.0~99999999.9kVARh		0	R
	61FBh			0	R
Ba10-12.RE.Imp (valley)	61FCh	0.0~99999999.9kVARh	0	R	
	61FDh		0	R	
Mb.RE.Imp(valley)	61FEh	0.0~99999999.9kVARh	0	R	
	61FFh		0	R	
Bb1.RE.Imp(valley)	6200h	0.0~99999999.9kVARh	0	R	
	6201h		0	R	
Bb2.RE.Imp(valley)	6202h	0.0~99999999.9kVARh	0	R	
	6203h		0	R	
Bb3.RE.Imp(valley)	6204h	0.0~99999999.9kVARh	0	R	
	6205h		0	R	
Bb1-3.RE.Imp(valley)	6206h	0.0~99999999.9kVARh	0	R	
	6207h		0	R	
Bb4.RE.Imp(valley)	6208h	0.0~99999999.9kVARh	0	R	
	6209h		0	R	
Bb5.RE.Imp(valley)	620Ah	0.0~99999999.9kVARh	0	R	
	620Bh		0	R	
Bb6.RE.Imp(valley)	620Ch	0.0~99999999.9kVARh	0	R	
	620Dh		0	R	
Bb4-6.RE.Imp(valley)	620Eh	0.0~99999999.9kVARh	0	R	
	620Fh		0	R	
Bb7.RE.Imp(valley)	6210h	0.0~99999999.9kVARh	0	R	
	6211h		0	R	
Bb8.RE.Imp(valley)	6212h	0.0~99999999.9kVARh	0	R	
	6213h		0	R	
Bb9.RE.Imp(valley)	6214h	0.0~99999999.9kVARh	0	R	
	6215h		0	R	
Bb7-9.RE.Imp(valley)	6216h	0.0~99999999.9kVARh	0	R	
	6217h		0	R	
Bb10.RE.Imp(valley)	6218h	0.0~99999999.9kVARh	0	R	
	6219h		0	R	
Bb11.RE.Imp(valley)	621Ah	0.0~99999999.9kVARh	0	R	
	621Bh		0	R	

Parameter	Address	Range	Description	Default	Property	
Bb12.RE.Imp(valley)	621Ch	0.0~99999999.9kVARh	Ma、Mb、Ba1~12、Bb1~12 Ba1-3~Ba9-12、Bb1-3~Bb9-12 Import reactive energy (valley)	0	R	
	621Dh			0	R	
Bb10-12.RE.Imp (valley)	621Eh	0.0~99999999.9kVARh		0	R	
	621Fh			0	R	
Ma.SE(valley)	6220h	0.0~99999999.9kVAh		Ma apparent energy (valley) (High Word)	0	R
	6221h			Ma apparent energy (valley) (Low Word)	0	R
Ba1.SE(valley)	6222h	0.0~99999999.9kVAh		Ma、Mb、Ba1~12、Bb1~12 Ba1-3~Ba9-12、Bb1-3~Bb9-12 Apparent energy (valley)	0	R
	6223h				0	R
Ba2.SE(valley)	6224h	0.0~99999999.9kVAh			0	R
	6225h				0	R
Ba3.SE(valley)	6226h	0.0~99999999.9kVAh	0		R	
	6227h		0		R	
Ba1-3.SE(valley)	6228h	0.0~99999999.9kVAh	0		R	
	6229h		0		R	
Ba4.SE(valley)	622Ah	0.0~99999999.9kVAh	0		R	
	622Bh		0		R	
Ba5.SE(valley)	622Ch	0.0~99999999.9kVAh	0		R	
	622Dh		0		R	
Ba6.SE(valley)	622Eh	0.0~99999999.9kVAh	0		R	
	622Fh		0		R	
Ba4-6.SE(valley)	6230h	0.0~99999999.9kVAh	0		R	
	6231h		0		R	
Ba7.SE(valley)	6232h	0.0~99999999.9kVAh	0		R	
	6233h		0		R	
Ba8.SE(valley)	6234h	0.0~99999999.9kVAh	0		R	
	6235h		0		R	
Ba9.SE(valley)	6236h	0.0~99999999.9kVAh	0		R	
	6237h		0		R	
Ba7-9.SE(valley)	6238h	0.0~99999999.9kVAh	0		R	
	6239h		0		R	
Ba10.SE(valley)	623Ah	0.0~99999999.9kVAh	0		R	
	623Bh		0		R	
Ba11.SE(valley)	623Ch	0.0~99999999.9kVAh	0		R	
	623Dh		0		R	
Ba12.SE(valley)	623Eh	0.0~99999999.9kVAh	0		R	
	623Fh		0		R	
Ba10-12.SE(valley)	6240h	0.0~99999999.9kVAh	0		R	
	6241h		0		R	
Mb.SE(valley)	6242h	0.0~99999999.9kVAh	0		R	
	6243h		0		R	
Bb1.SE(valley)	6244h	0.0~99999999.9kVAh	0		R	
	6245h		0		R	
Bb2.SE(valley)	6246h	0.0~99999999.9kVAh	0	R		
	6247h		0	R		
Bb3.SE(valley)	6248h	0.0~99999999.9kVAh	0	R		
	6249h		0	R		
Bb1-3.SE(valley)	624Ah	0.0~99999999.9kVAh	0	R		
	624Bh		0	R		
Bb4.SE(valley)	624Ch	0.0~99999999.9kVAh	0	R		
	624Dh		0	R		
Bb5.SE(valley)	624Eh	0.0~99999999.9kVAh	0	R		
	624Fh		0	R		
Bb6.SE(valley)	6250h	0.0~99999999.9kVAh	0	R		
	6251h		0	R		
Bb4-6.SE(valley)	6252h	0.0~99999999.9kVAh	0	R		
	6253h		0	R		
Bb7.SE(valley)	6254h	0.0~99999999.9kVAh	0	R		
	6255h		0	R		
Bb8.SE(valley)	6256h	0.0~99999999.9kVAh	0	R		
	6257h		0	R		

Parameter	Address	Range	Description	Default	Property	
Bb9.SE(valley)	6258h	0.0~99999999.9kVAh	Ma、Mb、Ba1~12、Bb1~12 Ba1-3~Ba9-12、Bb1-3~Bb9-12 Apparent energy (valley)	0	R	
	6259h			0	R	
Bb7-9.SE(valley)	625Ah	0.0~99999999.9kVAh		0	R	
	625Bh			0	R	
Bb10.SE(valley)	625Ch	0.0~99999999.9kVAh		0	R	
	625Dh			0	R	
Bb11.SE(valley)	625EH	0.0~99999999.9kVAh		0	R	
	625Fh			0	R	
Bb12.SE(valley)	6260h	0.0~99999999.9kVAh		0	R	
	6261h			0	R	
Bb10-12.SE(valley)	6262h	0.0~99999999.9kVAh		0	R	
	6263h			0	R	
Ma.AE.Imp(normal)	6264h	0.0~99999999.9kWh		Ma import active energy (normal)(High Word)	0	R
	6265h			Ma import active energy (normal)(Low Word)	0	R
Ba1.AE.Imp(normal)	6266h	0.0~99999999.9kWh		Ma、Mb、Ba1~12、Bb1~12 Ba1-3~Ba9-12、Bb1-3~Bb9-12 Import active energy (normal)	0	R
	6267h				0	R
Ba2.AE.Imp(normal)	6268h	0.0~99999999.9kWh			0	R
	6269h				0	R
Ba3.AE.Imp(normal)	626Ah	0.0~99999999.9kWh			0	R
	626Bh				0	R
Ba1-3.AE.Imp(normal)	626Ch	0.0~99999999.9kWh	0		R	
	626Dh		0		R	
Ba4.AE.Imp(normal)	626Eh	0.0~99999999.9kWh	0		R	
	626Fh		0		R	
Ba5.AE.Imp(normal)	6270h	0.0~99999999.9kWh	0		R	
	6271h		0		R	
Ba6.AE.Imp(normal)	6272h	0.0~99999999.9kWh	0		R	
	6273h		0		R	
Ba4-6.AE.Imp(normal)	6274h	0.0~99999999.9kWh	0		R	
	6275h		0		R	
Ba7.AE.Imp(normal)	6276h	0.0~99999999.9kWh	0		R	
	6277h		0		R	
Ba8.AE.Imp(normal)	6278h	0.0~99999999.9kWh	0		R	
	6279h		0		R	
Ba9.AE.Imp(normal)	627Ah	0.0~99999999.9kWh	0	R		
	627Bh		0	R		
Ba7-9.AE.Imp(normal)	627Ch	0.0~99999999.9kWh	0	R		
	627Dh		0	R		
Ba10.AE.Imp(normal)	627Eh	0.0~99999999.9kWh	0	R		
	627Fh		0	R		
Ba11.AE.Imp(normal)	6280h	0.0~99999999.9kWh	0	R		
	6281h		0	R		
Ba12.AE.Imp(normal)	6282h	0.0~99999999.9kWh	0	R		
	6283h		0	R		
Ba10-12.AE.Imp(normal)	6284h	0.0~99999999.9kWh	0	R		
	6285h		0	R		
Mb.AE.Imp(normal)	6286h	0.0~99999999.9kWh	0	R		
	6287h		0	R		
Bb1.AE.Imp(normal)	6288h	0.0~99999999.9kWh	0	R		
	6289h		0	R		
Bb2.AE.Imp(normal)	628Ah	0.0~99999999.9kWh	0	R		
	628Bh		0	R		
Bb3.AE.Imp(normal)	628Ch	0.0~99999999.9kWh	0	R		
	628Dh		0	R		
Bb1-3.AE.Imp(normal)	628Eh	0.0~99999999.9kWh	0	R		
	628Fh		0	R		
Bb4.AE.Imp(normal)	6290h	0.0~99999999.9kWh	0	R		
	6291h		0	R		
Bb5.AE.Imp(normal)	6292h	0.0~99999999.9kWh	0	R		
	6293h		0	R		



Parameter	Address	Range	Description	Default	Property	
Bb6.AE.Imp(normal)	6294h	0.0~99999999.9kWh	Ma、Mb、Ba1~12、Bb1~12 Ba1-3~Ba9-12、Bb1-3~Bb9-12 Import active energy (normal)	0	R	
	6295h			0	R	
Bb4-6.AE.Imp (normal)	6296h	0.0~99999999.9kWh		0	R	
	6297h			0	R	
Bb7.AE.Imp(normal)	6298h	0.0~99999999.9kWh		0	R	
	6299h			0	R	
Bb8.AE.Imp(normal)	629Ah	0.0~99999999.9kWh		0	R	
	629Bh			0	R	
Bb9.AE.Imp(normal)	629Ch	0.0~99999999.9kWh		0	R	
	629Dh			0	R	
Bb7-9.AE.Imp (normal)	629Eh	0.0~99999999.9kWh		0	R	
	629Fh			0	R	
Bb10.AE.Imp (normal)	62A0h	0.0~99999999.9kWh		0	R	
	62A1h			0	R	
Bb11.AE.Imp (normal)	62A2h	0.0~99999999.9kWh		0	R	
	62A3h			0	R	
Bb12.AE.Imp (normal)	62A4h	0.0~99999999.9kWh		0	R	
	62A5h			0	R	
Bb10-12.AE.Imp (normal)	62A6h	0.0~99999999.9kWh		0	R	
	62A7h			0	R	
Ma.RE.Imp(normal)	62A8h	0.0~99999999.9kVARh		Ma import reactive energy (normal)(High Word)	0	R
	62A9h			Ma import reactive energy (normal)(Low Word)	0	R
Ba1.RE.Imp(normal)	62AAh	0.0~99999999.9kVARh		Ma、Mb、Ba1~12、Bb1~12 Ba1-3~Ba9-12、Bb1-3~Bb9-12 Import reactive energy (normal)	0	R
	62ABh				0	R
Ba2.RE.Imp(normal)	62ACh	0.0~99999999.9kVARh	0		R	
	62ADh		0		R	
Ba3.RE.Imp(normal)	62AEh	0.0~99999999.9kVARh	0		R	
	62AFh		0		R	
Ba1-3.RE.Imp (normal)	62B0h	0.0~99999999.9kVARh	0		R	
	62B1h		0		R	
Ba4.RE.Imp(normal)	62B2h	0.0~99999999.9kVARh	0		R	
	62B3h		0		R	
Ba5.RE.Imp(normal)	62B4h	0.0~99999999.9kVARh	0		R	
	62B5h		0		R	
Ba6.RE.Imp(normal)	62B6h	0.0~99999999.9kVARh	0		R	
	62B7h		0		R	
Ba4-6.RE.Imp (normal)	62B8h	0.0~99999999.9kVARh	0		R	
	62B9h		0		R	
Ba7.RE.Imp(normal)	62BAh	0.0~99999999.9kVARh	0		R	
	62BBh		0		R	
Ba8.RE.Imp(normal)	62BCh	0.0~99999999.9kVARh	0		R	
	62BDh		0		R	
Ba9.RE.Imp(normal)	62BEh	0.0~99999999.9kVARh	0		R	
	62BFh		0		R	
Ba7-9.RE.Imp (normal)	62C0h	0.0~99999999.9kVARh	0		R	
	62C1h		0		R	
Ba10.RE.Imp (normal)	62C2h	0.0~99999999.9kVARh	0	R		
	62C3h		0	R		
Ba11.RE.Imp (normal)	62C4h	0.0~99999999.9kVARh	0	R		
	62C5h		0	R		
Ba12.RE.Imp (normal)	62C6h	0.0~99999999.9kVARh	0	R		
	62C7h		0	R		
Ba10-12.RE.Imp (normal)	62C8h	0.0~99999999.9kVARh	0	R		
	62C9h		0	R		
Mb.RE.Imp(normal)	62CAh	0.0~99999999.9kVARh	0	R		
	62CBh		0	R		
Bb1.RE.Imp(normal)	62CCh	0.0~99999999.9kVARh	0	R		
	62CDh		0	R		
Bb2.RE.Imp(normal)	62CEh	0.0~99999999.9kVARh	0	R		
	62CFh		0	R		

Parameter	Address	Range	Description	Default	Property	
Bb3.RE.Imp(normal)	62D0h	0.0~99999999.9kVARh	Ma、Mb、Ba1~12、Bb1~12 Ba1-3~Ba9-12、Bb1-3~Bb9-12 Import reactive energy (normal)	0	R	
	62D1h			0	R	
Bb1-3.RE.Imp (normal)	62D2h	0.0~99999999.9kVARh		0	R	
	62D3h			0	R	
Bb4.RE.Imp(normal)	62D4h	0.0~99999999.9kVARh		0	R	
	62D5h			0	R	
Bb5.RE.Imp(normal)	62D6h	0.0~99999999.9kVARh		0	R	
	62D7h			0	R	
Bb6.RE.Imp(normal)	62D8h	0.0~99999999.9kVARh		0	R	
	62D9h			0	R	
Bb4-6.RE.Imp (normal)	62DAh	0.0~99999999.9kVARh		0	R	
	62DBh			0	R	
Bb7.RE.Imp(normal)	62DCh	0.0~99999999.9kVARh		0	R	
	62DDh			0	R	
Bb8.RE.Imp(normal)	62DEh	0.0~99999999.9kVARh		0	R	
	62DFh			0	R	
Bb9.RE.Imp(normal)	62E0h	0.0~99999999.9kVARh		0	R	
	62E1h			0	R	
Bb7-9.RE.Imp (normal)	62E2h	0.0~99999999.9kVARh		0	R	
	62E3h			0	R	
Bb10.RE.Imp (normal)	62E4h	0.0~99999999.9kVARh		0	R	
	62E5h			0	R	
Bb11.RE.Imp (normal)	62E6h	0.0~99999999.9kVARh		0	R	
	62E7h			0	R	
Bb12.RE.Imp (normal)	62E8h	0.0~99999999.9kVARh		0	R	
	62E9h			0	R	
Bb10-12.RE.Imp (normal)	62EAh	0.0~99999999.9kVARh		0	R	
	62EBh			0	R	
Ma.SE(normal)	62ECh	0.0~99999999.9kVAh		Ma apparent energy (normal) (High Word)	0	R
	62EDh			Ma apparent energy (normal) (Low Word)	0	R
Ba1.SE(normal)	62EEh	0.0~99999999.9kVAh		Ma、Mb、Ba1~12、Bb1~12 Ba1-3~Ba9-12、Bb1-3~Bb9-12 Apparent energy (normal)	0	R
	62EFh				0	R
Ba2.SE(normal)	62F0h	0.0~99999999.9kVAh			0	R
	62F1h				0	R
Ba3.SE(normal)	62F2h	0.0~99999999.9kVAh			0	R
	62F3h				0	R
Ba1-3.SE(normal)	62F4h	0.0~99999999.9kVAh			0	R
	62F5h				0	R
Ba4.SE(normal)	62F6h	0.0~99999999.9kVAh			0	R
	62F7h				0	R
Ba5.SE(normal)	62F8h	0.0~99999999.9kVAh			0	R
	62F9h				0	R
Ba6.SE(normal)	62FAh	0.0~99999999.9kVAh			0	R
	62FBh				0	R
Ba4-6.SE(normal)	62FCh	0.0~99999999.9kVAh			0	R
	62FDh				0	R
Ba7.SE(normal)	62FEh	0.0~99999999.9kVAh			0	R
	62FFh				0	R
Ba8.SE(normal)	6300h	0.0~99999999.9kVAh	0		R	
	6301h		0		R	
Ba9.SE(normal)	6302h	0.0~99999999.9kVAh	0		R	
	6303h		0		R	
Ba7-9.SE(normal)	6304h	0.0~99999999.9kVAh	0		R	
	6305h		0		R	
Ba10.SE(normal)	6306h	0.0~99999999.9kVAh	0		R	
	6307h		0		R	
Ba11.SE(normal)	6308h	0.0~99999999.9kVAh	0		R	
	6309h		0		R	
Ba12.SE(normal)	630Ah	0.0~99999999.9kVAh	0		R	
	630Bh		0		R	

Parameter	Address	Range	Description	Default	Property
Ba10-12.SE(normal)	630Ch	0.0~99999999.9kVAh	Ma、Mb、Ba1~12、Bb1~12 Ba1-3~Ba9-12、Bb1-3~Bb9-12 Apparent energy (normal)	0	R
	630Dh			0	R
Mb.SE(normal)	630Eh	0.0~99999999.9kVAh		0	R
	630Fh			0	R
Bb1.SE(normal)	6310h	0.0~99999999.9kVAh		0	R
	6311h			0	R
Bb2.SE(normal)	6312h	0.0~99999999.9kVAh		0	R
	6313h			0	R
Bb3.SE(normal)	6314h	0.0~99999999.9kVAh		0	R
	6315h			0	R
Bb1-3.SE(normal)	6316h	0.0~99999999.9kVAh		0	R
	6317h			0	R
Bb4.SE(normal)	6318h	0.0~99999999.9kVAh		0	R
	6319h			0	R
Bb5.SE(normal)	631Ah	0.0~99999999.9kVAh		0	R
	631Bh			0	R
Bb6.SE(normal)	631Ch	0.0~99999999.9kVAh		0	R
	631Dh			0	R
Bb4-6.SE(normal)	631Eh	0.0~99999999.9kVAh		0	R
	631Fh			0	R
Bb7.SE(normal)	6320h	0.0~99999999.9kVAh		0	R
	6321h			0	R
Bb8.SE(normal)	6322h	0.0~99999999.9kVAh		0	R
	6323h			0	R
Bb9.SE(normal)	6324h	0.0~99999999.9kVAh		0	R
	6325h			0	R
Bb7-9.SE(normal)	6326h	0.0~99999999.9kVAh		0	R
	6327h			0	R
Bb10.SE(normal)	6328h	0.0~99999999.9kVAh		0	R
	6329h			0	R
Bb11.SE(normal)	632Ah	0.0~99999999.9kVAh	0	R	
	632Bh		0	R	
Bb12.SE(normal)	632Ch	0.0~99999999.9kVAh	0	R	
	632Dh		0	R	
Bb10-12.SE(normal)	632Eh	0.0~99999999.9kVAh	0	R	
	632Fh		0	R	
Ma.AE.Imp(sum)	6330h	0.0~99999999.9kWh	Ma import active energy (sum)(High Word)	0	R
	6331h		Ma import active energy (sum)(Low Word)	0	R
Ba1.AE.Imp(sum)	6332h	0.0~99999999.9kWh	Ma、Mb、Ba1~12、Bb1~12 Ba1-3~Ba9-12、Bb1-3~Bb9-12 Import active energy (sum)	0	R
	6333h			0	R
Ba2.AE.Imp(sum)	6334h	0.0~99999999.9kWh		0	R
	6335h			0	R
Ba3.AE.Imp(sum)	6336h	0.0~99999999.9kWh		0	R
	6337h			0	R
Ba1-3.AE.Imp(sum)	6338h	0.0~99999999.9kWh		0	R
	6339h			0	R
Ba4.AE.Imp(sum)	633Ah	0.0~99999999.9kWh		0	R
	633Bh			0	R
Ba5.AE.Imp(sum)	633Ch	0.0~99999999.9kWh		0	R
	633Dh			0	R
Ba6.AE.Imp(sum)	633Eh	0.0~99999999.9kWh		0	R
	633Fh			0	R
Ba4-6.AE.Imp(sum)	6340h	0.0~99999999.9kWh		0	R
	6341h			0	R
Ba7.AE.Imp(sum)	6342h	0.0~99999999.9kWh		0	R
	6343h			0	R
Ba8.AE.Imp(sum)	6344h	0.0~99999999.9kWh		0	R
	6345h			0	R
Ba9.AE.Imp(sum)	6346h	0.0~99999999.9kWh	0	R	
	6347h		0	R	

Parameter	Address	Range	Description	Default	Property
Ba7-9.AE.Imp(sum)	6348h	0.0~99999999.9kWh	Ma、Mb、Ba1~12、Bb1~12 Ba1-3~Ba9-12、Bb1-3~Bb9-12 Import active energy (sum)	0	R
	6349h			0	R
Ba10.AE.Imp(sum)	634Ah	0.0~99999999.9kWh		0	R
	634Bh			0	R
Ba11.AE.Imp(sum)	634Ch	0.0~99999999.9kWh		0	R
	634Dh			0	R
Ba12.AE.Imp(sum)	634Eh	0.0~99999999.9kWh		0	R
	634Fh			0	R
Ba10-12.AE.Imp(sum)	6350h	0.0~99999999.9kWh		0	R
	6351h			0	R
Mb.AE.Imp(sum)	6352h	0.0~99999999.9kWh		0	R
	6353h			0	R
Bb1.AE.Imp(sum)	6354h	0.0~99999999.9kWh		0	R
	6355h			0	R
Bb2.AE.Imp(sum)	6356h	0.0~99999999.9kWh		0	R
	6357h			0	R
Bb3.AE.Imp(sum)	6358h	0.0~99999999.9kWh		0	R
	6359h			0	R
Bb1-3.AE.Imp(sum)	635Ah	0.0~99999999.9kWh		0	R
	635Bh			0	R
Bb4.AE.Imp(sum)	635Ch	0.0~99999999.9kWh		0	R
	635Dh			0	R
Bb5.AE.Imp(sum)	635EH	0.0~99999999.9kWh		0	R
	635Fh			0	R
Bb6.AE.Imp(sum)	6360h	0.0~99999999.9kWh		0	R
	6361h			0	R
Bb4-6.AE.Imp(sum)	6362h	0.0~99999999.9kWh		0	R
	6363h			0	R
Bb7.AE.Imp(sum)	6364h	0.0~99999999.9kWh	0	R	
	6365h		0	R	
Bb8.AE.Imp(sum)	6366h	0.0~99999999.9kWh	0	R	
	6367h		0	R	
Bb9.AE.Imp(sum)	6368h	0.0~99999999.9kWh	0	R	
	6369h		0	R	
Bb7-9.AE.Imp(sum)	636Ah	0.0~99999999.9kWh	0	R	
	636Bh		0	R	
Bb10.AE.Imp(sum)	636Ch	0.0~99999999.9kWh	0	R	
	636Dh		0	R	
Bb11.AE.Imp(sum)	636Eh	0.0~99999999.9kWh	0	R	
	636Fh		0	R	
Bb12.AE.Imp(sum)	6370h	0.0~99999999.9kWh	0	R	
	6371h		0	R	
Bb10-12.AE.Imp(sum)	6372h	0.0~99999999.9kWh	0	R	
	6373h		0	R	
Ma.RE.Imp(sum)	6374h	0.0~99999999.9kVARh	Ma import reactive energy (sum)(High Word)	0	R
	6375h		Ma import reactive energy (sum)(Low Word)	0	R
Ba1.RE.Imp(sum)	6376h	0.0~99999999.9kVARh	Ma、Mb、Ba1~12、Bb1~12 Ba1-3~Ba9-12、Bb1-3~Bb9-12 Import reactive energy (sum)	0	R
	6377h			0	R
Ba2.RE.Imp(sum)	6378h	0.0~99999999.9kVARh		0	R
	6379h			0	R
Ba3.RE.Imp(sum)	637Ah	0.0~99999999.9kVARh		0	R
	637Bh			0	R
Ba1-3.RE.Imp(sum)	637Ch	0.0~99999999.9kVARh		0	R
	637Dh			0	R
Ba4.RE.Imp(sum)	637Eh	0.0~99999999.9kVARh		0	R
	637Fh			0	R
Ba5.RE.Imp(sum)	6380h	0.0~99999999.9kVARh		0	R
	6381h			0	R
Ba6.RE.Imp(sum)	6382h	0.0~99999999.9kVARh		0	R
	6383h			0	R

Parameter	Address	Range	Description	Default	Property
Ba4-6.RE.Imp(sum)	6384h	0.0~99999999.9kVARh	Ma、Mb、Ba1~12、Bb1~12 Ba1-3~Ba9-12、Bb1-3~Bb9-12 Import reactive energy (sum)	0	R
	6385h			0	R
Ba7.RE.Imp(sum)	6386h	0.0~99999999.9kVARh		0	R
	6387h			0	R
Ba8.RE.Imp(sum)	6388h	0.0~99999999.9kVARh		0	R
	6389h			0	R
Ba9.RE.Imp(sum)	638Ah	0.0~99999999.9kVARh		0	R
	638Bh			0	R
Ba7-9.RE.Imp(sum)	638Ch	0.0~99999999.9kVARh		0	R
	638Dh			0	R
Ba10.RE.Imp(sum)	638Eh	0.0~99999999.9kVARh		0	R
	638Fh			0	R
Ba11.RE.Imp(sum)	6390h	0.0~99999999.9kVARh		0	R
	6391h			0	R
Ba12.RE.Imp(sum)	6392h	0.0~99999999.9kVARh		0	R
	6393h			0	R
Ba10-12.RE.Imp (sum)	6394h	0.0~99999999.9kVARh		0	R
	6395h			0	R
Mb.RE.Imp(sum)	6396h	0.0~99999999.9kVARh		0	R
	6397h			0	R
Bb1.RE.Imp(sum)	6398h	0.0~99999999.9kVARh		0	R
	6399h			0	R
Bb2.RE.Imp(sum)	639Ah	0.0~99999999.9kVARh		0	R
	639Bh			0	R
Bb3.RE.Imp(sum)	639Ch	0.0~99999999.9kVARh		0	R
	639Dh			0	R
Bb1-3.RE.Imp(sum)	639Eh	0.0~99999999.9kVARh		0	R
	639Fh			0	R
Bb4.RE.Imp(sum)	63A0h	0.0~99999999.9kVARh		0	R
	63A1h			0	R
Bb5.RE.Imp(sum)	63A2h	0.0~99999999.9kVARh		0	R
	63A3h			0	R
Bb6.RE.Imp(sum)	63A4h	0.0~99999999.9kVARh		0	R
	63A5h			0	R
Bb4-6.RE.Imp(sum)	63A6h	0.0~99999999.9kVARh		0	R
	63A7h			0	R
Bb7.RE.Imp(sum)	63A8h	0.0~99999999.9kVARh		0	R
	63A9h			0	R
Bb8.RE.Imp(sum)	63AAh	0.0~99999999.9kVARh		0	R
	63ABh			0	R
Bb9.RE.Imp(sum)	63ACh	0.0~99999999.9kVARh	0	R	
	63ADh		0	R	
Bb7-9.RE.Imp(sum)	63AEh	0.0~99999999.9kVARh	0	R	
	63AFh		0	R	
Bb10.RE.Imp(sum)	63B0h	0.0~99999999.9kVARh	0	R	
	63B1h		0	R	
Bb11.RE.Imp(sum)	63B2h	0.0~99999999.9kVARh	0	R	
	63B3h		0	R	
Bb12.RE.Imp(sum)	63B4h	0.0~99999999.9kVARh	0	R	
	63B5h		0	R	
Bb10-12.RE.Imp (sum)	63B6h	0.0~99999999.9kVARh	0	R	
	63B7h		0	R	
Ma.SE(sum)	63B8h	0.0~99999999.9kVAh	Ma apparent energy (sum) (High Word)	0	R
	63B9h		Ma apparent energy (sum) (Low Word)	0	R
Ba1.SE(sum)	63BAh	0.0~99999999.9kVAh	Ma、Mb、Ba1~12、Bb1~12 Ba1-3~Ba9-12、Bb1-3~Bb9-12 Apparent energy (sum)	0	R
	63BBh			0	R
Ba2.SE(sum)	63BCh	0.0~99999999.9kVAh		0	R
	63BDh			0	R
Ba3.SE(sum)	63BEh	0.0~99999999.9kVAh		0	R
	63BFh			0	R

Parameter	Address	Range	Description	Default	Property
Ba1-3.SE(sum)	63C0h	0.0~99999999.9kVAh	Ma、Mb、Ba1~12、Bb1~12 Ba1-3~Ba9-12、Bb1-3~Bb9-12 Apparent energy (sum)	0	R
	63C1h			0	R
Ba4.SE(sum)	63C2h	0.0~99999999.9kVAh		0	R
	63C3h			0	R
Ba5.SE(sum)	63C4h	0.0~99999999.9kVAh		0	R
	63C5h			0	R
Ba6.SE(sum)	63C6h	0.0~99999999.9kVAh		0	R
	63C7h			0	R
Ba4-6.SE(sum)	63C8h	0.0~99999999.9kVAh		0	R
	63C9h			0	R
Ba7.SE(sum)	63CAh	0.0~99999999.9kVAh		0	R
	63CBh			0	R
Ba8.SE(sum)	63CCh	0.0~99999999.9kVAh		0	R
	63CDh			0	R
Ba9.SE(sum)	63CEh	0.0~99999999.9kVAh		0	R
	63CFh			0	R
Ba7-9.SE(sum)	63D0h	0.0~99999999.9kVAh		0	R
	63D1h			0	R
Ba10.SE(sum)	63D2h	0.0~99999999.9kVAh		0	R
	63D3h			0	R
Ba11.SE(sum)	63D4h	0.0~99999999.9kVAh		0	R
	63D5h			0	R
Ba12.SE(sum)	63D6h	0.0~99999999.9kVAh		0	R
	63D7h			0	R
Ba10-12.SE(sum)	63D8h	0.0~99999999.9kVAh	0	R	
	63D9h		0	R	
Mb.SE(sum)	63DAh	0.0~99999999.9kVAh	0	R	
	63DBh		0	R	
Bb1.SE(sum)	63DCh	0.0~99999999.9kVAh	0	R	
	63DDh		0	R	
Bb2.SE(sum)	63DEh	0.0~99999999.9kVAh	0	R	
	63DFh		0	R	
Bb3.SE(sum)	63E0h	0.0~99999999.9kVAh	0	R	
	63E1h		0	R	
Bb1-3.SE(sum)	63E2h	0.0~99999999.9kVAh	0	R	
	63E3h		0	R	
Bb4.SE(sum)	63E4h	0.0~99999999.9kVAh	0	R	
	63E5h		0	R	
Bb5.SE(sum)	63E6h	0.0~99999999.9kVAh	0	R	
	63E7h		0	R	
Bb6.SE(sum)	63E8h	0.0~99999999.9kVAh	0	R	
	63E9h		0	R	
Bb4-6.SE(sum)	63EAh	0.0~99999999.9kVAh	0	R	
	63EBh		0	R	
Bb7.SE(sum)	63ECh	0.0~99999999.9kVAh	0	R	
	63EDh		0	R	
Bb8.SE(sum)	63EEh	0.0~99999999.9kVAh	0	R	
	63EFh		0	R	
Bb9.SE(sum)	63F0h	0.0~99999999.9kVAh	0	R	
	63F1h		0	R	
Bb7-9.SE(sum)	63F2h	0.0~99999999.9kVAh	0	R	
	63F3h		0	R	
Bb10.SE(sum)	63F4h	0.0~99999999.9kVAh	0	R	
	63F5h		0	R	
Bb11.SE(sum)	63F6h	0.0~99999999.9kVAh	0	R	
	63F7h		0	R	
Bb12.SE(sum)	63F8h	0.0~99999999.9kVAh	0	R	
	63F9h		0	R	
Bb10-12.SE(sum)	63FAh	0.0~99999999.9kVAh	0	R	
	63FBh		0	R	

Last month TOU energy( Function code : 03h ):

Parameter	Address	Range	Description	Default	Property
Ma.AE.Imp(sharp)	63FCh	0.0~99999999.9kWh	Ma、Mb、Ba1~12、Bb1~12 Ba1~3、Ba9~12、Bb1~3、Bb9~12 Import active energy (sharp)	0	R
	63FDh			0	R
Ba1.AE.Imp(sharp)	63FEh	0.0~99999999.9kWh		0	R
	63FFh			0	R
Ba2.AE.Imp(sharp)	6400h	0.0~99999999.9kWh		0	R
	6401h			0	R
Ba3.AE.Imp(sharp)	6402h	0.0~99999999.9kWh		0	R
	6403h			0	R
Ba1-3.AE.Imp (sharp)	6404h	0.0~99999999.9kWh		0	R
	6405h			0	R
Ba4.AE.Imp(sharp)	6406h	0.0~99999999.9kWh		0	R
	6407h			0	R
Ba5.AE.Imp(sharp)	6408h	0.0~99999999.9kWh		0	R
	6409h			0	R
Ba6.AE.Imp(sharp)	640Ah	0.0~99999999.9kWh		0	R
	640Bh			0	R
Ba4-6.AE.Imp (sharp)	640Ch	0.0~99999999.9kWh		0	R
	640Dh			0	R
Ba7.AE.Imp(sharp)	640Eh	0.0~99999999.9kWh		0	R
	640Fh			0	R
Ba8.AE.Imp(sharp)	6410h	0.0~99999999.9kWh		0	R
	6411h			0	R
Ba9.AE.Imp(sharp)	6412h	0.0~99999999.9kWh		0	R
	6413h			0	R
Ba7-9.AE.Imp (sharp)	6414h	0.0~99999999.9kWh		0	R
	6415h		0	R	
Ba10.AE.Imp(sharp)	6416h	0.0~99999999.9kWh	0	R	
	6417h		0	R	
Ba11.AE.Imp(sharp)	6418h	0.0~99999999.9kWh	0	R	
	6419h		0	R	
Ba12.AE.Imp(sharp)	641Ah	0.0~99999999.9kWh	0	R	
	641Bh		0	R	
Ba10-12.AE.Imp (sharp)	641Ch	0.0~99999999.9kWh	0	R	
	641Dh		0	R	
Mb.AE.Imp(sharp)	641Eh	0.0~99999999.9kWh	0	R	
	641Fh		0	R	
Bb1.AE.Imp(sharp)	6420h	0.0~99999999.9kWh	0	R	
	6421h		0	R	
Bb2.AE.Imp(sharp)	6422h	0.0~99999999.9kWh	0	R	
	6423h		0	R	
Bb3.AE.Imp(sharp)	6424h	0.0~99999999.9kWh	0	R	
	6425h		0	R	
Bb1-3.AE.Imp (sharp)	6426h	0.0~99999999.9kWh	0	R	
	6427h		0	R	
Bb4.AE.Imp(sharp)	6428h	0.0~99999999.9kWh	0	R	
	6429h		0	R	
Bb5.AE.Imp(sharp)	642Ah	0.0~99999999.9kWh	0	R	
	642Bh		0	R	
Bb6.AE.Imp(sharp)	642Ch	0.0~99999999.9kWh	0	R	
	642Dh		0	R	
Bb4-6.AE.Imp (sharp)	642Eh	0.0~99999999.9kWh	0	R	
	642Fh		0	R	
Bb7.AE.Imp(sharp)	6430h	0.0~99999999.9kWh	0	R	
	6431h		0	R	
Bb8.AE.Imp(sharp)	6432h	0.0~99999999.9kWh	0	R	
	6433h		0	R	
Bb9.AE.Imp(sharp)	6434h	0.0~99999999.9kWh	0	R	
	6435h		0	R	
Bb7-9.AE.Imp (sharp)	6436h	0.0~99999999.9kWh	0	R	
	6437h		0	R	

Parameter	Address	Range	Description	Default	Property	
Bb10.AE.Imp(sharp)	6438h	0.0~99999999.9kWh	Ma、Mb、Ba1~12、Bb1~12 Ba1-3~Ba9-12、Bb1-3~Bb9-12 Import active energy (sharp)	0	R	
	6439h			0	R	
Bb11.AE.Imp(sharp)	643Ah	0.0~99999999.9kWh		0	R	
	643Bh			0	R	
Bb12.AE.Imp(sharp)	643Ch	0.0~99999999.9kWh		0	R	
	643Dh			0	R	
Bb10-12.AE.Imp (sharp)	643Eh	0.0~99999999.9kWh		0	R	
	643Fh			0	R	
Ma.RE.Imp(sharp)	6440h	0.0~99999999.9kVARh		Ma、Mb、Ba1~12、Bb1~12 Ba1-3~Ba9-12、Bb1-3~Bb9-12 Import reactive energy (sharp)	0	R
	6441h				0	R
Ba1.RE.Imp(sharp)	6442h	0.0~99999999.9kVARh			0	R
	6443h				0	R
Ba2.RE.Imp(sharp)	6444h	0.0~99999999.9kVARh	0		R	
	6445h		0		R	
Ba3.RE.Imp(sharp)	6446h	0.0~99999999.9kVARh	0		R	
	6447h		0		R	
Ba1-3.RE.Imp(sharp)	6448h	0.0~99999999.9kVARh	0		R	
	6449h		0		R	
Ba4.RE.Imp(sharp)	644Ah	0.0~99999999.9kVARh	0		R	
	644Bh		0		R	
Ba5.RE.Imp(sharp)	644Ch	0.0~99999999.9kVARh	0		R	
	644Dh		0		R	
Ba6.RE.Imp(sharp)	644Eh	0.0~99999999.9kVARh	0		R	
	644Fh		0		R	
Ba4-6.RE.Imp(sharp)	6450h	0.0~99999999.9kVARh	0		R	
	6451h		0		R	
Ba7.RE.Imp(sharp)	6452h	0.0~99999999.9kVARh	0		R	
	6453h		0		R	
Ba8.RE.Imp(sharp)	6454h	0.0~99999999.9kVARh	0		R	
	6455h		0		R	
Ba9.RE.Imp(sharp)	6456h	0.0~99999999.9kVARh	0		R	
	6457h		0		R	
Ba7-9.RE.Imp(sharp)	6458h	0.0~99999999.9kVARh	0		R	
	6459h		0		R	
Ba10.RE.Imp(sharp)	645Ah	0.0~99999999.9kVARh	0		R	
	645Bh		0		R	
Ba11.RE.Imp(sharp)	645Ch	0.0~99999999.9kVARh	0		R	
	645Dh		0		R	
Ba12.RE.Imp(sharp)	645EH	0.0~99999999.9kVARh	0		R	
	645Fh		0		R	
Ba10-12.RE.Imp (sharp)	6460h	0.0~99999999.9kVARh	0		R	
	6461h		0		R	
Mb.RE.Imp(sharp)	6462h	0.0~99999999.9kVARh	0		R	
	6463h		0		R	
Bb1.RE.Imp(sharp)	6464h	0.0~99999999.9kVARh	0	R		
	6465h		0	R		
Bb2.RE.Imp(sharp)	6466h	0.0~99999999.9kVARh	0	R		
	6467h		0	R		
Bb3.RE.Imp(sharp)	6468h	0.0~99999999.9kVARh	0	R		
	6469h		0	R		
Bb1-3.RE.Imp(sharp)	646Ah	0.0~99999999.9kVARh	0	R		
	646Bh		0	R		
Bb4.RE.Imp(sharp)	646Ch	0.0~99999999.9kVARh	0	R		
	646Dh		0	R		
Bb5.RE.Imp(sharp)	646Eh	0.0~99999999.9kVARh	0	R		
	646Fh		0	R		
Bb6.RE.Imp(sharp)	6470h	0.0~99999999.9kVARh	0	R		
	6471h		0	R		
Bb4-6.RE.Imp (sharp)	6472h	0.0~99999999.9kVARh	0	R		
	6473h		0	R		



Parameter	Address	Range	Description	Default	Property	
Bb7.RE.Imp(sharp)	6474h	0.0~99999999.9kVARh	Ma、Mb、Ba1~12、Bb1~12 Ba1-3~Ba9-12、Bb1-3~Bb9-12 Import reactive energy (sharp)	0	R	
	6475h			0	R	
Bb8.RE.Imp(sharp)	6476h	0.0~99999999.9kVARh		0	R	
	6477h			0	R	
Bb9.RE.Imp(sharp)	6478h	0.0~99999999.9kVARh		0	R	
	6479h			0	R	
Bb7-9.RE.Imp(sharp)	647Ah	0.0~99999999.9kVARh		0	R	
	647Bh			0	R	
Bb10.RE.Imp(sharp)	647Ch	0.0~99999999.9kVARh		0	R	
	647Dh			0	R	
Bb11.RE.Imp(sharp)	647Eh	0.0~99999999.9kVARh		0	R	
	647Fh			0	R	
Bb12.RE.Imp(sharp)	6480h	0.0~99999999.9kVARh		0	R	
	6481h			0	R	
Bb10-12.RE.Imp (sharp)	6482h	0.0~99999999.9kVARh		0	R	
	6483h			0	R	
Ma.SE(sharp)	6484h	0.0~99999999.9kVAh		Ma、Mb、Ba1~12、Bb1~12 Ba1-3~Ba9-12、Bb1-3~Bb9-12 Apparent energy (sharp)	0	R
	6485h				0	R
Ba1.SE(sharp)	6486h	0.0~99999999.9kVAh			0	R
	6487h				0	R
Ba2.SE(sharp)	6488h	0.0~99999999.9kVAh			0	R
	6489h				0	R
Ba3.SE(sharp)	648Ah	0.0~99999999.9kVAh			0	R
	648Bh				0	R
Ba1-3.SE(sharp)	648Ch	0.0~99999999.9kVAh	0		R	
	648Dh		0		R	
Ba4.SE(sharp)	648Eh	0.0~99999999.9kVAh	0		R	
	648Fh		0		R	
Ba5.SE(sharp)	6490h	0.0~99999999.9kVAh	0		R	
	6491h		0		R	
Ba6.SE(sharp)	6492h	0.0~99999999.9kVAh	0		R	
	6493h		0		R	
Ba4-6.SE(sharp)	6494h	0.0~99999999.9kVAh	0		R	
	6495h		0		R	
Ba7.SE(sharp)	6496h	0.0~99999999.9kVAh	0		R	
	6497h		0		R	
Ba8.SE(sharp)	6498h	0.0~99999999.9kVAh	0		R	
	6499h		0		R	
Ba9.SE(sharp)	649Ah	0.0~99999999.9kVAh	0		R	
	649Bh		0		R	
Ba7-9.SE(sharp)	649Ch	0.0~99999999.9kVAh	0		R	
	649Dh		0		R	
Ba10.SE(sharp)	649Eh	0.0~99999999.9kVAh	0		R	
	649Fh		0		R	
Ba11.SE(sharp)	64A0h	0.0~99999999.9kVAh	0		R	
	64A1h		0		R	
Ba12.SE(sharp)	64A2h	0.0~99999999.9kVAh	0		R	
	64A3h		0		R	
Ba10-12.SE(sharp)	64A4h	0.0~99999999.9kVAh	0		R	
	64A5h		0		R	
Mb.SE(sharp)	64A6h	0.0~99999999.9kVAh	0		R	
	64A7h		0		R	
Bb1.SE(sharp)	64A8h	0.0~99999999.9kVAh	0	R		
	64A9h		0	R		
Bb2.SE(sharp)	64AAh	0.0~99999999.9kVAh	0	R		
	64ABh		0	R		
Bb3.SE(sharp)	64ACh	0.0~99999999.9kVAh	0	R		
	64ADh		0	R		
Bb1-3.SE(sharp)	64AEh	0.0~99999999.9kVAh	0	R		
	64AFh		0	R		

Parameter	Address	Range	Description	Default	Property
Bb4.SE(sharp)	64B0h	0.0~99999999.9kVAh	Ma、Mb、Ba1~12、Bb1~12 Ba1-3~Ba9-12、Bb1-3~Bb9-12 Apparent energy (sharp)	0	R
	64B1h			0	R
Bb5.SE(sharp)	64B2h	0.0~99999999.9kVAh		0	R
	64B3h			0	R
Bb6.SE(sharp)	64B4h	0.0~99999999.9kVAh		0	R
	64B5h			0	R
Bb4-6.SE(sharp)	64B6h	0.0~99999999.9kVAh		0	R
	64B7h			0	R
Bb7.SE(sharp)	64B8h	0.0~99999999.9kVAh		0	R
	64B9h			0	R
Bb8.SE(sharp)	64BAh	0.0~99999999.9kVAh		0	R
	64BBh			0	R
Bb9.SE(sharp)	64BCh	0.0~99999999.9kVAh		0	R
	64BDh			0	R
Bb7-9.SE(sharp)	64BEh	0.0~99999999.9kVAh		0	R
	64BFh			0	R
Bb10.SE(sharp)	64C0h	0.0~99999999.9kVAh		0	R
	64C1h			0	R
Bb11.SE(sharp)	64C2h	0.0~99999999.9kVAh		0	R
	64C3h			0	R
Bb12.SE(sharp)	64C4h	0.0~99999999.9kVAh		0	R
	64C5h			0	R
Bb10-12.SE(sharp)	64C6h	0.0~99999999.9kVAh		0	R
	64C7h			0	R
Ma.AE.Imp(peak)	64C8h	0.0~99999999.9kWh	Ma、Mb、Ba1~12、Bb1~12 Ba1-3~Ba9-12、Bb1-3~Bb9-12 Import active energy (peak)	0	R
	64C9h			0	R
Ba1.AE.Imp(peak)	64CAh	0.0~99999999.9kWh		0	R
	64CBh			0	R
Ba2.AE.Imp(peak)	64CCh	0.0~99999999.9kWh		0	R
	64CDh			0	R
Ba3.AE.Imp(peak)	64CEh	0.0~99999999.9kWh		0	R
	64CFh			0	R
Ba1-3.AE.Imp(peak)	64D0h	0.0~99999999.9kWh		0	R
	64D1h			0	R
Ba4.AE.Imp(peak)	64D2h	0.0~99999999.9kWh		0	R
	64D3h			0	R
Ba5.AE.Imp(peak)	64D4h	0.0~99999999.9kWh		0	R
	64D5h			0	R
Ba6.AE.Imp(peak)	64D6h	0.0~99999999.9kWh		0	R
	64D7h			0	R
Ba4-6.AE.Imp(peak)	64D8h	0.0~99999999.9kWh		0	R
	64D9h			0	R
Ba7.AE.Imp(peak)	64DAh	0.0~99999999.9kWh		0	R
	64DBh			0	R
Ba8.AE.Imp(peak)	64DCh	0.0~99999999.9kWh		0	R
	64DDh			0	R
Ba9.AE.Imp(peak)	64DEh	0.0~99999999.9kWh		0	R
	64DFh			0	R
Ba7-9.AE.Imp(peak)	64E0h	0.0~99999999.9kWh		0	R
	64E1h			0	R
Ba10.AE.Imp(peak)	64E2h	0.0~99999999.9kWh		0	R
	64E3h			0	R
Ba11.AE.Imp(peak)	64E4h	0.0~99999999.9kWh		0	R
	64E5h			0	R
Ba12.AE.Imp(peak)	64E6h	0.0~99999999.9kWh		0	R
	64E7h			0	R
Ba10-12.AE.Imp(peak)	64E8h	0.0~99999999.9kWh		0	R
	64E9h			0	R
Mb.AE.Imp(peak)	64EAh	0.0~99999999.9kWh		0	R
	64EBh			0	R

Parameter	Address	Range	Description	Default	Property
Bb1.AE.Imp(peak)	64ECh	0.0~99999999.9kWh	Ma、Mb、Ba1~12、Bb1~12 Ba1-3~Ba9-12、Bb1-3~Bb9-12 Import active energy (peak)	0	R
	64EDh			0	R
Bb2.AE.Imp(peak)	64EEh	0.0~99999999.9kWh		0	R
	64EFh			0	R
Bb3.AE.Imp(peak)	64F0h	0.0~99999999.9kWh		0	R
	64F1h			0	R
Bb1-3.AE.Imp(peak)	64F2h	0.0~99999999.9kWh		0	R
	64F3h			0	R
Bb4.AE.Imp(peak)	64F4h	0.0~99999999.9kWh		0	R
	64F5h			0	R
Bb5.AE.Imp(peak)	64F6h	0.0~99999999.9kWh		0	R
	64F7h			0	R
Bb6.AE.Imp(peak)	64F8h	0.0~99999999.9kWh		0	R
	64F9h			0	R
Bb4-6.AE.Imp(peak)	64FAh	0.0~99999999.9kWh		0	R
	64FBh			0	R
Bb7.AE.Imp(peak)	64FCh	0.0~99999999.9kWh		0	R
	64FDh			0	R
Bb8.AE.Imp(peak)	64FEh	0.0~99999999.9kWh		0	R
	64FFh			0	R
Bb9.AE.Imp(peak)	6500h	0.0~99999999.9kWh		0	R
	6501h			0	R
Bb7-9.AE.Imp(peak)	6502h	0.0~99999999.9kWh		0	R
	6503h			0	R
Bb10.AE.Imp(peak)	6504h	0.0~99999999.9kWh	0	R	
	6505h		0	R	
Bb11.AE.Imp(peak)	6506h	0.0~99999999.9kWh	0	R	
	6507h		0	R	
Bb12.AE.Imp(peak)	6508h	0.0~99999999.9kWh	0	R	
	6509h		0	R	
Bb10-12.AE.Imp(peak)	650Ah	0.0~99999999.9kWh	0	R	
	650Bh		0	R	
Ma.RE.Imp(peak)	650Ch	0.0~99999999.9kVARh	Ma、Mb、Ba1~12、Bb1~12 Ba1-3~Ba9-12、Bb1-3~Bb9-12 Import reactive energy (peak)	0	R
	650Dh			0	R
Ba1.RE.Imp(peak)	650Eh	0.0~99999999.9kVARh		0	R
	650Fh			0	R
Ba2.RE.Imp(peak)	6510h	0.0~99999999.9kVARh		0	R
	6511h			0	R
Ba3.RE.Imp(peak)	6512h	0.0~99999999.9kVARh		0	R
	6513h			0	R
Ba1-3.RE.Imp(peak)	6514h	0.0~99999999.9kVARh		0	R
	6515h			0	R
Ba4.RE.Imp(peak)	6516h	0.0~99999999.9kVARh		0	R
	6517h			0	R
Ba5.RE.Imp(peak)	6518h	0.0~99999999.9kVARh		0	R
	6519h			0	R
Ba6.RE.Imp(peak)	651Ah	0.0~99999999.9kVARh		0	R
	651Bh			0	R
Ba4-6.RE.Imp(peak)	651Ch	0.0~99999999.9kVARh		0	R
	651Dh			0	R
Ba7.RE.Imp(peak)	651Eh	0.0~99999999.9kVARh		0	R
	651Fh			0	R
Ba8.RE.Imp(peak)	6520h	0.0~99999999.9kVARh		0	R
	6521h			0	R
Ba9.RE.Imp(peak)	6522h	0.0~99999999.9kVARh		0	R
	6523h			0	R
Ba7-9.RE.Imp(peak)	6524h	0.0~99999999.9kVARh	0	R	
	6525h		0	R	
Ba10.RE.Imp(peak)	6526h	0.0~99999999.9kVARh	0	R	
	6527h		0	R	

Parameter	Address	Range	Description	Default	Property
Ba11.RE.Imp(peak)	6528h	0.0~99999999.9kVARh	Ma、Mb、Ba1~12、Bb1~12 Ba1-3~Ba9-12、Bb1-3~Bb9-12 Import reactive energy (peak)	0	R
	6529h			0	R
Ba12.RE.Imp(peak)	652Ah	0.0~99999999.9kVARh		0	R
	652Bh			0	R
Ba10-12.RE.Imp(peak)	652Ch	0.0~99999999.9kVARh		0	R
	652Dh			0	R
Mb.RE.Imp(peak)	652Eh	0.0~99999999.9kVARh		0	R
	652Fh			0	R
Bb1.RE.Imp(peak)	6530h	0.0~99999999.9kVARh		0	R
	6531h			0	R
Bb2.RE.Imp(peak)	6532h	0.0~99999999.9kVARh		0	R
	6533h			0	R
Bb3.RE.Imp(peak)	6534h	0.0~99999999.9kVARh		0	R
	6535h			0	R
Bb1-3.RE.Imp(peak)	6536h	0.0~99999999.9kVARh		0	R
	6537h			0	R
Bb4.RE.Imp(peak)	6538h	0.0~99999999.9kVARh		0	R
	6539h			0	R
Bb5.RE.Imp(peak)	653Ah	0.0~99999999.9kVARh		0	R
	653Bh			0	R
Bb6.RE.Imp(peak)	653Ch	0.0~99999999.9kVARh		0	R
	653Dh			0	R
Bb4-6.RE.Imp(peak)	653Eh	0.0~99999999.9kVARh		0	R
	653Fh			0	R
Bb7.RE.Imp(peak)	6540h	0.0~99999999.9kVARh	0	R	
	6541h		0	R	
Bb8.RE.Imp(peak)	6542h	0.0~99999999.9kVARh	0	R	
	6543h		0	R	
Bb9.RE.Imp(peak)	6544h	0.0~99999999.9kVARh	0	R	
	6545h		0	R	
Bb7-9.RE.Imp(peak)	6546h	0.0~99999999.9kVARh	0	R	
	6547h		0	R	
Bb10.RE.Imp(peak)	6548h	0.0~99999999.9kVARh	0	R	
	6549h		0	R	
Bb11.RE.Imp(peak)	654Ah	0.0~99999999.9kVARh	0	R	
	654Bh		0	R	
Bb12.RE.Imp(peak)	654Ch	0.0~99999999.9kVARh	0	R	
	654Dh		0	R	
Bb10-12.RE.Imp(peak)	654Eh	0.0~99999999.9kVARh	0	R	
	654Fh		0	R	
Ma.SE(peak)	6550h	0.0~99999999.9kVAh	Ma、Mb、Ba1~12、Bb1~12 Ba1-3~Ba9-12、Bb1-3~Bb9-12 Apparent energy (peak)	0	R
	6551h			0	R
Ba1.SE(peak)	6552h	0.0~99999999.9kVAh		0	R
	6553h			0	R
Ba2.SE(peak)	6554h	0.0~99999999.9kVAh		0	R
	6555h			0	R
Ba3.SE(peak)	6556h	0.0~99999999.9kVAh		0	R
	6557h			0	R
Ba1-3.SE(peak)	6558h	0.0~99999999.9kVAh		0	R
	6559h			0	R
Ba4.SE(peak)	655Ah	0.0~99999999.9kVAh		0	R
	655Bh			0	R
Ba5.SE(peak)	655Ch	0.0~99999999.9kVAh		0	R
	655Dh			0	R
Ba6.SE(peak)	655EH	0.0~99999999.9kVAh		0	R
	655Fh			0	R
Ba4-6.SE(peak)	6560h	0.0~99999999.9kVAh		0	R
	6561h			0	R
Ba7.SE(peak)	6562h	0.0~99999999.9kVAh		0	R
	6563h			0	R

Parameter	Address	Range	Description	Default	Property
Ba8.SE(peak)	6564h	0.0~99999999.9kVAh	Ma、Mb、Ba1~12、Bb1~12 Ba1-3~Ba9-12、Bb1-3~Bb9-12 Apparent energy (peak)	0	R
	6565h			0	R
Ba9.SE(peak)	6566h	0.0~99999999.9kVAh		0	R
	6567h			0	R
Ba7-9.SE(peak)	6568h	0.0~99999999.9kVAh		0	R
	6569h			0	R
Ba10.SE(peak)	656Ah	0.0~99999999.9kVAh		0	R
	656Bh			0	R
Ba11.SE(peak)	656Ch	0.0~99999999.9kVAh		0	R
	656Dh			0	R
Ba12.SE(peak)	656Eh	0.0~99999999.9kVAh		0	R
	656Fh			0	R
Ba10-12.SE(peak)	6570h	0.0~99999999.9kVAh		0	R
	6571h			0	R
Mb.SE(peak)	6572h	0.0~99999999.9kVAh		0	R
	6573h			0	R
Bb1.SE(peak)	6574h	0.0~99999999.9kVAh		0	R
	6575h			0	R
Bb2.SE(peak)	6576h	0.0~99999999.9kVAh		0	R
	6577h			0	R
Bb3.SE(peak)	6578h	0.0~99999999.9kVAh		0	R
	6579h			0	R
Bb1-3.SE(peak)	657Ah	0.0~99999999.9kVAh		0	R
	657Bh			0	R
Bb4.SE(peak)	657Ch	0.0~99999999.9kVAh	0	R	
	657Dh		0	R	
Bb5.SE(peak)	657Eh	0.0~99999999.9kVAh	0	R	
	657Fh		0	R	
Bb6.SE(peak)	6580h	0.0~99999999.9kVAh	0	R	
	6581h		0	R	
Bb4-6.SE(peak)	6582h	0.0~99999999.9kVAh	0	R	
	6583h		0	R	
Bb7.SE(peak)	6584h	0.0~99999999.9kVAh	0	R	
	6585h		0	R	
Bb8.SE(peak)	6586h	0.0~99999999.9kVAh	0	R	
	6587h		0	R	
Bb9.SE(peak)	6588h	0.0~99999999.9kVAh	0	R	
	6589h		0	R	
Bb7-9.SE(peak)	658Ah	0.0~99999999.9kVAh	0	R	
	658Bh		0	R	
Bb10.SE(peak)	658Ch	0.0~99999999.9kVAh	0	R	
	658Dh		0	R	
Bb11.SE(peak)	658Eh	0.0~99999999.9kVAh	0	R	
	658Fh		0	R	
Bb12.SE(peak)	6590h	0.0~99999999.9kVAh	0	R	
	6591h		0	R	
Bb10-12.SE(peak)	6592h	0.0~99999999.9kVAh	0	R	
	6593h		0	R	
Ma.AE.Imp(valley)	6594h	0.0~99999999.9kWh	Ma、Mb、Ba1~12、Bb1~12 Ba1-3~Ba9-12、Bb1-3~Bb9-12 Import active energy (valley)	0	R
	6595h			0	R
Ba1.AE.Imp(valley)	6596h	0.0~99999999.9kWh		0	R
	6597h			0	R
Ba2.AE.Imp(valley)	6598h	0.0~99999999.9kWh		0	R
	6599h			0	R
Ba3.AE.Imp(valley)	659Ah	0.0~99999999.9kWh		0	R
	659Bh			0	R
Ba1-3.AE.Imp(valley)	659Ch	0.0~99999999.9kWh		0	R
	659Dh			0	R
Ba4.AE.Imp(valley)	659Eh	0.0~99999999.9kWh		0	R
	659Fh			0	R

Parameter	Address	Range	Description	Default	Property
Ba5.AE.Imp(valley)	65A0h	0.0~99999999.9kWh	Ma、Mb、Ba1~12、Bb1~12 Ba1-3~Ba9-12、Bb1-3~Bb9-12 Import active energy (valley)	0	R
	65A1h			0	R
Ba6.AE.Imp(valley)	65A2h	0.0~99999999.9kWh		0	R
	65A3h			0	R
Ba4-6.AE.Imp (valley)	65A4h	0.0~99999999.9kWh		0	R
	65A5h			0	R
Ba7.AE.Imp(valley)	65A6h	0.0~99999999.9kWh		0	R
	65A7h			0	R
Ba8.AE.Imp(valley)	65A8h	0.0~99999999.9kWh		0	R
	65A9h			0	R
Ba9.AE.Imp(valley)	65AAh	0.0~99999999.9kWh		0	R
	65ABh			0	R
Ba7-9.AE.Imp (valley)	65ACh	0.0~99999999.9kWh		0	R
	65ADh			0	R
Ba10.AE.Imp(valley)	65AEh	0.0~99999999.9kWh		0	R
	65AFh			0	R
Ba11.AE.Imp(valley)	65B0h	0.0~99999999.9kWh		0	R
	65B1h			0	R
Ba12.AE.Imp(valley)	65B2h	0.0~99999999.9kWh		0	R
	65B3h			0	R
Ba10-12.AE.Imp (valley)	65B4h	0.0~99999999.9kWh		0	R
	65B5h			0	R
Mb.AE.Imp(valley)	65B6h	0.0~99999999.9kWh		0	R
	65B7h			0	R
Bb1.AE.Imp(valley)	65B8h	0.0~99999999.9kWh		0	R
	65B9h			0	R
Bb2.AE.Imp(valley)	65BAh	0.0~99999999.9kWh		0	R
	65BBh			0	R
Bb3.AE.Imp(valley)	65BCh	0.0~99999999.9kWh	0	R	
	65BDh		0	R	
Bb1-3.AE.Imp(valley)	65BEh	0.0~99999999.9kWh	0	R	
	65BFh		0	R	
Bb4.AE.Imp(valley)	65C0h	0.0~99999999.9kWh	0	R	
	65C1h		0	R	
Bb5.AE.Imp(valley)	65C2h	0.0~99999999.9kWh	0	R	
	65C3h		0	R	
Bb6.AE.Imp(valley)	65C4h	0.0~99999999.9kWh	0	R	
	65C5h		0	R	
Bb4-6.AE.Imp(valley)	65C6h	0.0~99999999.9kWh	0	R	
	65C7h		0	R	
Bb7.AE.Imp(valley)	65C8h	0.0~99999999.9kWh	0	R	
	65C9h		0	R	
Bb8.AE.Imp(valley)	65CAh	0.0~99999999.9kWh	0	R	
	65CBh		0	R	
Bb9.AE.Imp(valley)	65CCh	0.0~99999999.9kWh	0	R	
	65CDh		0	R	
Bb7-9.AE.Imp(valley)	65CEh	0.0~99999999.9kWh	0	R	
	65CFh		0	R	
Bb10.AE.Imp(valley)	65D0h	0.0~99999999.9kWh	0	R	
	65D1h		0	R	
Bb11.AE.Imp(valley)	65D2h	0.0~99999999.9kWh	0	R	
	65D3h		0	R	
Bb12.AE.Imp(valley)	65D4h	0.0~99999999.9kWh	0	R	
	65D5h		0	R	
Bb10-12.AE.Imp (valley)	65D6h	0.0~99999999.9kWh	0	R	
	65D7h		0	R	
Ma.RE.Imp(valley)	65D8h	0.0~99999999.9kVARh	0	R	
	65D9h		0	R	
Ba1.RE.Imp(valley)	65DAh	0.0~99999999.9kVARh	0	R	
	65DBh		0	R	

Parameter	Address	Range	Description	Default	Property
Ba2.RE.Imp(valley)	65DCh	0.0~99999999.9kVARh	Ma、Mb、Ba1~12、Bb1~12 Ba1-3~Ba9-12、Bb1-3~Bb9-12 Import reactive energy (valley)	0	R
	65DDh			0	R
Ba3.RE.Imp(valley)	65DEh	0.0~99999999.9kVARh		0	R
	65DFh			0	R
Ba1-3.RE.Imp(valley)	65E0h	0.0~99999999.9kVARh		0	R
	65E1h			0	R
Ba4.RE.Imp(valley)	65E2h	0.0~99999999.9kVARh		0	R
	65E3h			0	R
Ba5.RE.Imp(valley)	65E4h	0.0~99999999.9kVARh		0	R
	65E5h			0	R
Ba6.RE.Imp(valley)	65E6h	0.0~99999999.9kVARh		0	R
	65E7h			0	R
Ba4-6.RE.Imp(valley)	65E8h	0.0~99999999.9kVARh		0	R
	65E9h			0	R
Ba7.RE.Imp(valley)	65EAh	0.0~99999999.9kVARh		0	R
	65EBh			0	R
Ba8.RE.Imp(valley)	65ECh	0.0~99999999.9kVARh		0	R
	65EDh			0	R
Ba9.RE.Imp(valley)	65EEh	0.0~99999999.9kVARh		0	R
	65EFh			0	R
Ba7-9.RE.Imp(valley)	65F0h	0.0~99999999.9kVARh		0	R
	65F1h			0	R
Ba10.RE.Imp(valley)	65F2h	0.0~99999999.9kVARh		0	R
	65F3h			0	R
Ba11.RE.Imp(valley)	65F4h	0.0~99999999.9kVARh		0	R
	65F5h			0	R
Ba12.RE.Imp(valley)	65F6h	0.0~99999999.9kVARh		0	R
	65F7h			0	R
Ba10-12.RE.Imp (valley)	65F8h	0.0~99999999.9kVARh		0	R
	65F9h			0	R
Mb.RE.Imp(valley)	65FAh	0.0~99999999.9kVARh		0	R
	65FBh			0	R
Bb1.RE.Imp(valley)	65FCh	0.0~99999999.9kVARh		0	R
	65FDh			0	R
Bb2.RE.Imp(valley)	65FEh	0.0~99999999.9kVARh		0	R
	65FFh			0	R
Bb3.RE.Imp(valley)	6600h	0.0~99999999.9kVARh		0	R
	6601h			0	R
Bb1-3.RE.Imp(valley)	6602h	0.0~99999999.9kVARh		0	R
	6603h			0	R
Bb4.RE.Imp(valley)	6604h	0.0~99999999.9kVARh	0	R	
	6605h		0	R	
Bb5.RE.Imp(valley)	6606h	0.0~99999999.9kVARh	0	R	
	6607h		0	R	
Bb6.RE.Imp(valley)	6608h	0.0~99999999.9kVARh	0	R	
	6609h		0	R	
Bb4-6.RE.Imp(valley)	660Ah	0.0~99999999.9kVARh	0	R	
	660Bh		0	R	
Bb7.RE.Imp(valley)	660Ch	0.0~99999999.9kVARh	0	R	
	660Dh		0	R	
Bb8.RE.Imp(valley)	660Eh	0.0~99999999.9kVARh	0	R	
	660Fh		0	R	
Bb9.RE.Imp(valley)	6610h	0.0~99999999.9kVARh	0	R	
	6611h		0	R	
Bb7-9.RE.Imp(valley)	6612h	0.0~99999999.9kVARh	0	R	
	6613h		0	R	
Bb10.RE.Imp(valley)	6614h	0.0~99999999.9kVARh	0	R	
	6615h		0	R	
Bb11.RE.Imp(valley)	6616h	0.0~99999999.9kVARh	0	R	
	6617h		0	R	

Parameter	Address	Range	Description	Default	Property
Bb12.RE.Imp(valley)	6618h	0.0~99999999.9kVARh	Ma、Mb、Ba1~12、Bb1~12 Ba1-3~Ba9-12、Bb1-3~Bb9-12 Import reactive energy (valley)	0	R
	6619h			0	R
Bb10-12.RE.Imp (valley)	661Ah	0.0~99999999.9kVARh		0	R
	661Bh			0	R
Ma.SE(valley)	661Ch	0.0~99999999.9kVAh		0	R
	661Dh			0	R
Ba1.SE(valley)	661Eh	0.0~99999999.9kVAh		0	R
	661Fh			0	R
Ba2.SE(valley)	6620h	0.0~99999999.9kVAh		0	R
	6621h			0	R
Ba3.SE(valley)	6622h	0.0~99999999.9kVAh		0	R
	6623h			0	R
Ba1-3.SE(valley)	6624h	0.0~99999999.9kVAh		0	R
	6625h			0	R
Ba4.SE(valley)	6626h	0.0~99999999.9kVAh		0	R
	6627h			0	R
Ba5.SE(valley)	6628h	0.0~99999999.9kVAh		0	R
	6629h			0	R
Ba6.SE(valley)	662Ah	0.0~99999999.9kVAh		0	R
	662Bh			0	R
Ba4-6.SE(valley)	662Ch	0.0~99999999.9kVAh		0	R
	662Dh			0	R
Ba7.SE(valley)	662Eh	0.0~99999999.9kVAh		0	R
	662Fh			0	R
Ba8.SE(valley)	6630h	0.0~99999999.9kVAh		0	R
	6631h			0	R
Ba9.SE(valley)	6632h	0.0~99999999.9kVAh		0	R
	6633h			0	R
Ba7-9.SE(valley)	6634h	0.0~99999999.9kVAh		0	R
	6635h			0	R
Ba10.SE(valley)	6636h	0.0~99999999.9kVAh	Ma、Mb、Ba1~12、Bb1~12 Ba1-3~Ba9-12、Bb1-3~Bb9-12 Apparent energy (valley)	0	R
	6637h			0	R
Ba11.SE(valley)	6638h	0.0~99999999.9kVAh		0	R
	6639h			0	R
Ba12.SE(valley)	663Ah	0.0~99999999.9kVAh		0	R
	663Bh			0	R
Ba10-12.SE(valley)	663Ch	0.0~99999999.9kVAh		0	R
	663Dh			0	R
Mb.SE(valley)	663Eh	0.0~99999999.9kVAh		0	R
	663Fh			0	R
Bb1.SE(valley)	6640h	0.0~99999999.9kVAh		0	R
	6641h			0	R
Bb2.SE(valley)	6642h	0.0~99999999.9kVAh		0	R
	6643h			0	R
Bb3.SE(valley)	6644h	0.0~99999999.9kVAh		0	R
	6645h			0	R
Bb1-3.SE(valley)	6646h	0.0~99999999.9kVAh		0	R
	6647h			0	R
Bb4.SE(valley)	6648h	0.0~99999999.9kVAh		0	R
	6649h			0	R
Bb5.SE(valley)	664Ah	0.0~99999999.9kVAh		0	R
	664Bh			0	R
Bb6.SE(valley)	664Ch	0.0~99999999.9kVAh		0	R
	664Dh			0	R
Bb4-6.SE(valley)	664Eh	0.0~99999999.9kVAh		0	R
	664Fh			0	R
Bb7.SE(valley)	6650h	0.0~99999999.9kVAh		0	R
	6651h			0	R
Bb8.SE(valley)	6652h	0.0~99999999.9kVAh		0	R
	6653h			0	R



Parameter	Address	Range	Description	Default	Property	
Bb9.SE(valley)	6654h	0.0~99999999.9kVAh	Ma、Mb、Ba1~12、Bb1~12 Ba1-3~Ba9-12、Bb1-3~Bb9-12 Apparent energy (valley)	0	R	
	6655h			0	R	
Bb7-9.SE(valley)	6656h	0.0~99999999.9kVAh		0	R	
	6657h			0	R	
Bb10.SE(valley)	6658h	0.0~99999999.9kVAh		0	R	
	6659h			0	R	
Bb11.SE(valley)	665Ah	0.0~99999999.9kVAh		0	R	
	665Bh			0	R	
Bb12.SE(valley)	665Ch	0.0~99999999.9kVAh		0	R	
	665Dh			0	R	
Bb10-12.SE(valley)	665EH	0.0~99999999.9kVAh		0	R	
	665Fh			0	R	
Ma.AE.Imp(normal)	6660h	0.0~99999999.9kWh		Ma、Mb、Ba1~12、Bb1~12 Ba1-3~Ba9-12、Bb1-3~Bb9-12 Import active energy (normal)	0	R
	6661h				0	R
Ba1.AE.Imp(normal)	6662h	0.0~99999999.9kWh			0	R
	6663h				0	R
Ba2.AE.Imp(normal)	6664h	0.0~99999999.9kWh			0	R
	6665h				0	R
Ba3.AE.Imp(normal)	6666h	0.0~99999999.9kWh			0	R
	6667h				0	R
Ba1-3.AE.Imp(normal)	6668h	0.0~99999999.9kWh			0	R
	6669h				0	R
Ba4.AE.Imp(normal)	666Ah	0.0~99999999.9kWh			0	R
	666Bh				0	R
Ba5.AE.Imp(normal)	666Ch	0.0~99999999.9kWh	0		R	
	666Dh		0		R	
Ba6.AE.Imp(normal)	666Eh	0.0~99999999.9kWh	0		R	
	666Fh		0		R	
Ba4-6.AE.Imp(normal)	6670h	0.0~99999999.9kWh	0		R	
	6671h		0		R	
Ba7.AE.Imp(normal)	6672h	0.0~99999999.9kWh	0		R	
	6673h		0		R	
Ba8.AE.Imp(normal)	6674h	0.0~99999999.9kWh	0		R	
	6675h		0		R	
Ba9.AE.Imp(normal)	6676h	0.0~99999999.9kWh	0		R	
	6677h		0		R	
Ba7-9.AE.Imp(normal)	6678h	0.0~99999999.9kWh	0		R	
	6679h		0		R	
Ba10.AE.Imp(normal)	667Ah	0.0~99999999.9kWh	0		R	
	667Bh		0		R	
Ba11.AE.Imp(normal)	667Ch	0.0~99999999.9kWh	0		R	
	667Dh		0		R	
Ba12.AE.Imp(normal)	667Eh	0.0~99999999.9kWh	0		R	
	667Fh		0		R	
Ba10-12.AE.Imp(normal)	6680h	0.0~99999999.9kWh	0		R	
	6681h		0		R	
Mb.AE.Imp(normal)	6682h	0.0~99999999.9kWh	0		R	
	6683h		0		R	
Bb1.AE.Imp(normal)	6684h	0.0~99999999.9kWh	0		R	
	6685h		0		R	
Bb2.AE.Imp(normal)	6686h	0.0~99999999.9kWh	0		R	
	6687h		0		R	
Bb3.AE.Imp(normal)	6688h	0.0~99999999.9kWh	0		R	
	6689h		0		R	
Bb1-3.AE.Imp(normal)	668Ah	0.0~99999999.9kWh	0		R	
	668Bh		0		R	
Bb4.AE.Imp(normal)	668Ch	0.0~99999999.9kWh	0	R		
	668Dh		0	R		
Bb5.AE.Imp(normal)	668Eh	0.0~99999999.9kWh	0	R		
	668Fh		0	R		

Parameter	Address	Range	Description	Default	Property	
Bb6.AE.Imp(normal)	6690h	0.0~99999999.9kWh	Ma、Mb、Ba1~12、Bb1~12 Ba1-3~Ba9-12、Bb1-3~Bb9-12 Import active energy (normal)	0	R	
	6691h			0	R	
Bb4-6.AE.Imp (normal)	6692h	0.0~99999999.9kWh		0	R	
	6693h			0	R	
Bb7.AE.Imp(normal)	6694h	0.0~99999999.9kWh		0	R	
	6695h			0	R	
Bb8.AE.Imp(normal)	6696h	0.0~99999999.9kWh		0	R	
	6697h			0	R	
Bb9.AE.Imp(normal)	6698h	0.0~99999999.9kWh		0	R	
	6699h			0	R	
Bb7-9.AE.Imp (normal)	669Ah	0.0~99999999.9kWh		0	R	
	669Bh			0	R	
Bb10.AE.Imp (normal)	669Ch	0.0~99999999.9kWh		0	R	
	669Dh			0	R	
Bb11.AE.Imp (normal)	669Eh	0.0~99999999.9kWh		0	R	
	669Fh			0	R	
Bb12.AE.Imp (normal)	66A0h	0.0~99999999.9kWh		0	R	
	66A1h			0	R	
Bb10-12.AE.Imp (normal)	66A2h	0.0~99999999.9kWh		0	R	
	66A3h			0	R	
Ma.RE.Imp(normal)	66A4h	0.0~99999999.9kVARh		Ma、Mb、Ba1~12、Bb1~12 Ba1-3~Ba9-12、Bb1-3~Bb9-12 Import reactive energy (normal)	0	R
	66A5h				0	R
Ba1.RE.Imp(normal)	66A6h	0.0~99999999.9kVARh			0	R
	66A7h				0	R
Ba2.RE.Imp(normal)	66A8h	0.0~99999999.9kVARh	0		R	
	66A9h		0		R	
Ba3.RE.Imp(normal)	66AAh	0.0~99999999.9kVARh	0		R	
	66ABh		0		R	
Ba1-3.RE.Imp (normal)	66ACh	0.0~99999999.9kVARh	0		R	
	66ADh		0		R	
Ba4.RE.Imp(normal)	66AEh	0.0~99999999.9kVARh	0		R	
	66AFh		0		R	
Ba5.RE.Imp(normal)	66B0h	0.0~99999999.9kVARh	0		R	
	66B1h		0		R	
Ba6.RE.Imp(normal)	66B2h	0.0~99999999.9kVARh	0		R	
	66B3h		0		R	
Ba4-6.RE.Imp (normal)	66B4h	0.0~99999999.9kVARh	0		R	
	66B5h		0		R	
Ba7.RE.Imp(normal)	66B6h	0.0~99999999.9kVARh	0		R	
	66B7h		0		R	
Ba8.RE.Imp(normal)	66B8h	0.0~99999999.9kVARh	0		R	
	66B9h		0		R	
Ba9.RE.Imp(normal)	66BAh	0.0~99999999.9kVARh	0		R	
	66BBh		0		R	
Ba7-9.RE.Imp (normal)	66BCh	0.0~99999999.9kVARh	0		R	
	66BDh		0		R	
Ba10.RE.Imp(normal)	66BEh	0.0~99999999.9kVARh	0		R	
	66BFh		0		R	
Ba11.RE.Imp(normal)	66C0h	0.0~99999999.9kVARh	0		R	
	66C1h		0		R	
Ba12.RE.Imp(normal)	66C2h	0.0~99999999.9kVARh	0		R	
	66C3h		0		R	
Ba10-12.RE.Imp (normal)	66C4h	0.0~99999999.9kVARh	0		R	
	66C5h		0		R	
Mb.RE.Imp(normal)	66C6h	0.0~99999999.9kVARh	0		R	
	66C7h		0		R	
Bb1.RE.Imp(normal)	66C8h	0.0~99999999.9kVARh	0	R		
	66C9h		0	R		
Bb2.RE.Imp(normal)	66CAh	0.0~99999999.9kVARh	0	R		
	66CBh		0	R		

Parameter	Address	Range	Description	Default	Property
Bb3.RE.Imp(normal)	66CCh	0.0~99999999.9kVARh	Ma、Mb、Ba1~12、Bb1~12 Ba1-3~Ba9-12、Bb1-3~Bb9-12 Import reactive energy (normal)	0	R
	66CDh			0	R
Bb1-3.RE.Imp (normal)	66CEh	0.0~99999999.9kVARh		0	R
	66CFh			0	R
Bb4.RE.Imp(normal)	66D0h	0.0~99999999.9kVARh		0	R
	66D1h			0	R
Bb5.RE.Imp(normal)	66D2h	0.0~99999999.9kVARh		0	R
	66D3h			0	R
Bb6.RE.Imp(normal)	66D4h	0.0~99999999.9kVARh		0	R
	66D5h			0	R
Bb4-6.RE.Imp (normal)	66D6h	0.0~99999999.9kVARh		0	R
	66D7h			0	R
Bb7.RE.Imp(normal)	66D8h	0.0~99999999.9kVARh		0	R
	66D9h			0	R
Bb8.RE.Imp(normal)	66DAh	0.0~99999999.9kVARh		0	R
	66DBh			0	R
Bb9.RE.Imp(normal)	66DCh	0.0~99999999.9kVARh		0	R
	66DDh			0	R
Bb7-9.RE.Imp (normal)	66DEh	0.0~99999999.9kVARh		0	R
	66DFh			0	R
Bb10.RE.Imp (normal)	66E0h	0.0~99999999.9kVARh		0	R
	66E1h			0	R
Bb11.RE.Imp (normal)	66E2h	0.0~99999999.9kVARh		0	R
	66E3h			0	R
Bb12.RE.Imp (normal)	66E4h	0.0~99999999.9kVARh	0	R	
	66E5h		0	R	
Bb10-12.RE.Imp (normal)	66E6h	0.0~99999999.9kVARh	0	R	
	66E7h		0	R	
Ma.SE(normal)	66E8h	0.0~99999999.9kVAh	Ma、Mb、Ba1~12、Bb1~12 Ba1-3~Ba9-12、Bb1-3~Bb9-12 Apparent energy (normal)	0	R
	66E9h			0	R
Ba1.SE(normal)	66EAh	0.0~99999999.9kVAh		0	R
	66EBh			0	R
Ba2.SE(normal)	66ECh	0.0~99999999.9kVAh		0	R
	66EDh			0	R
Ba3.SE(normal)	66EEh	0.0~99999999.9kVAh		0	R
	66EFh			0	R
Ba1-3.SE(normal)	66F0h	0.0~99999999.9kVAh		0	R
	66F1h			0	R
Ba4.SE(normal)	66F2h	0.0~99999999.9kVAh		0	R
	66F3h			0	R
Ba5.SE(normal)	66F4h	0.0~99999999.9kVAh		0	R
	66F5h			0	R
Ba6.SE(normal)	66F6h	0.0~99999999.9kVAh		0	R
	66F7h			0	R
Ba4-6.SE(normal)	66F8h	0.0~99999999.9kVAh		0	R
	66F9h			0	R
Ba7.SE(normal)	66FAh	0.0~99999999.9kVAh		0	R
	66FBh			0	R
Ba8.SE(normal)	66FCh	0.0~99999999.9kVAh		0	R
	66FDh			0	R
Ba9.SE(normal)	66FEh	0.0~99999999.9kVAh		0	R
	66FFh			0	R
Ba7-9.SE(normal)	6700h	0.0~99999999.9kVAh	0	R	
	6701h		0	R	
Ba10.SE(normal)	6702h	0.0~99999999.9kVAh	0	R	
	6703h		0	R	
Ba11.SE(normal)	6704h	0.0~99999999.9kVAh	0	R	
	6705h		0	R	
Ba12.SE(normal)	6706h	0.0~99999999.9kVAh	0	R	
	6707h		0	R	

Parameter	Address	Range	Description	Default	Property	
Ba10-12.SE(normal)	6708h	0.0~99999999.9kVAh	Ma、Mb、Ba1~12、Bb1~12 Ba1-3~Ba9-12、Bb1-3~Bb9-12 Apparent energy (normal)	0	R	
	6709h			0	R	
Mb.SE(normal)	670Ah	0.0~99999999.9kVAh		0	R	
	670Bh			0	R	
Bb1.SE(normal)	670Ch	0.0~99999999.9kVAh		0	R	
	670Dh			0	R	
Bb2.SE(normal)	670Eh	0.0~99999999.9kVAh		0	R	
	670Fh			0	R	
Bb3.SE(normal)	6710h	0.0~99999999.9kVAh		0	R	
	6711h			0	R	
Bb1-3.SE(normal)	6712h	0.0~99999999.9kVAh		0	R	
	6713h			0	R	
Bb4.SE(normal)	6714h	0.0~99999999.9kVAh		0	R	
	6715h			0	R	
Bb5.SE(normal)	6716h	0.0~99999999.9kVAh		0	R	
	6717h			0	R	
Bb6.SE(normal)	6718h	0.0~99999999.9kVAh		0	R	
	6719h			0	R	
Bb4-6.SE(normal)	671Ah	0.0~99999999.9kVAh		0	R	
	671Bh			0	R	
Bb7.SE(normal)	671Ch	0.0~99999999.9kVAh		0	R	
	671Dh			0	R	
Bb8.SE(normal)	671Eh	0.0~99999999.9kVAh		0	R	
	671Fh			0	R	
Bb9.SE(normal)	6720h	0.0~99999999.9kVAh		0	R	
	6721h			0	R	
Bb7-9.SE(normal)	6722h	0.0~99999999.9kVAh		0	R	
	6723h			0	R	
Bb10.SE(normal)	6724h	0.0~99999999.9kVAh		0	R	
	6725h			0	R	
Bb11.SE(normal)	6726h	0.0~99999999.9kVAh		0	R	
	6727h			0	R	
Bb12.SE(normal)	6728h	0.0~99999999.9kVAh		0	R	
	6729h			0	R	
Bb10-12.SE(normal)	672Ah	0.0~99999999.9kVAh		0	R	
	672Bh			0	R	
Ma.AE.Imp(sum)	672Ch	0.0~99999999.9kWh		Ma、Mb、Ba1~12、Bb1~12 Ba1-3~Ba9-12、Bb1-3~Bb9-12 Import active energy (sum)	0	R
	672Dh				0	R
Ba1.AE.Imp(sum)	672Eh	0.0~99999999.9kWh			0	R
	672Fh				0	R
Ba2.AE.Imp(sum)	6730h	0.0~99999999.9kWh			0	R
	6731h				0	R
Ba3.AE.Imp(sum)	6732h	0.0~99999999.9kWh			0	R
	6733h				0	R
Ba1-3.AE.Imp(sum)	6734h	0.0~99999999.9kWh			0	R
	6735h				0	R
Ba4.AE.Imp(sum)	6736h	0.0~99999999.9kWh			0	R
	6737h				0	R
Ba5.AE.Imp(sum)	6738h	0.0~99999999.9kWh	0		R	
	6739h		0		R	
Ba6.AE.Imp(sum)	673Ah	0.0~99999999.9kWh	0		R	
	673Bh		0		R	
Ba4-6.AE.Imp(sum)	673Ch	0.0~99999999.9kWh	0		R	
	673Dh		0		R	
Ba7.AE.Imp(sum)	673Eh	0.0~99999999.9kWh	0		R	
	673Fh		0		R	
Ba8.AE.Imp(sum)	6740h	0.0~99999999.9kWh	0		R	
	6741h		0		R	
Ba9.AE.Imp(sum)	6742h	0.0~99999999.9kWh	0		R	
	6743h		0		R	

Parameter	Address	Range	Description	Default	Property
Ba7-9.AE.Imp(sum)	6744h	0.0~99999999.9kWh	Ma、Mb、Ba1~12、Bb1~12 Ba1-3~Ba9-12、Bb1-3~Bb9-12 Import active energy (sum)	0	R
	6745h			0	R
Ba10.AE.Imp(sum)	6746h	0.0~99999999.9kWh		0	R
	6747h			0	R
Ba11.AE.Imp(sum)	6748h	0.0~99999999.9kWh		0	R
	6749h			0	R
Ba12.AE.Imp(sum)	674Ah	0.0~99999999.9kWh		0	R
	674Bh			0	R
Ba10-12.AE.Imp(sum)	674Ch	0.0~99999999.9kWh		0	R
	674Dh			0	R
Mb.AE.Imp(sum)	674Eh	0.0~99999999.9kWh		0	R
	674Fh			0	R
Bb1.AE.Imp(sum)	6750h	0.0~99999999.9kWh		0	R
	6751h			0	R
Bb2.AE.Imp(sum)	6752h	0.0~99999999.9kWh		0	R
	6753h			0	R
Bb3.AE.Imp(sum)	6754h	0.0~99999999.9kWh		0	R
	6755h			0	R
Bb1-3.AE.Imp(sum)	6756h	0.0~99999999.9kWh		0	R
	6757h			0	R
Bb4.AE.Imp(sum)	6758h	0.0~99999999.9kWh		0	R
	6759h			0	R
Bb5.AE.Imp(sum)	675Ah	0.0~99999999.9kWh		0	R
	675Bh			0	R
Bb6.AE.Imp(sum)	675Ch	0.0~99999999.9kWh	0	R	
	675Dh		0	R	
Bb4-6.AE.Imp(sum)	675EH	0.0~99999999.9kWh	0	R	
	675Fh		0	R	
Bb7.AE.Imp(sum)	6760h	0.0~99999999.9kWh	0	R	
	6761h		0	R	
Bb8.AE.Imp(sum)	6762h	0.0~99999999.9kWh	0	R	
	6763h		0	R	
Bb9.AE.Imp(sum)	6764h	0.0~99999999.9kWh	0	R	
	6765h		0	R	
Bb7-9.AE.Imp(sum)	6766h	0.0~99999999.9kWh	0	R	
	6767h		0	R	
Bb10.AE.Imp(sum)	6768h	0.0~99999999.9kWh	0	R	
	6769h		0	R	
Bb11.AE.Imp(sum)	676Ah	0.0~99999999.9kWh	0	R	
	676Bh		0	R	
Bb12.AE.Imp(sum)	676Ch	0.0~99999999.9kWh	0	R	
	676Dh		0	R	
Bb10-12.AE.Imp(sum)	676Eh	0.0~99999999.9kWh	0	R	
	676Fh		0	R	
Ma.RE.Imp(sum)	6770h	Ma、Mb、Ba1~12、Bb1~12 Ba1-3~Ba9-12、Bb1-3~Bb9-12 Import reactive energy (sum)	0	R	
	6771h		0	R	
Ba1.RE.Imp(sum)	6772h		0.0~99999999.9kVARh	0	R
	6773h			0	R
Ba2.RE.Imp(sum)	6774h		0.0~99999999.9kVARh	0	R
	6775h			0	R
Ba3.RE.Imp(sum)	6776h		0.0~99999999.9kVARh	0	R
	6777h			0	R
Ba1-3.RE.Imp(sum)	6778h		0.0~99999999.9kVARh	0	R
	6779h			0	R
Ba4.RE.Imp(sum)	677Ah		0.0~99999999.9kVARh	0	R
	677Bh			0	R
Ba5.RE.Imp(sum)	677Ch		0.0~99999999.9kVARh	0	R
	677Dh			0	R
Ba6.RE.Imp(sum)	677Eh		0.0~99999999.9kVARh	0	R
	677Fh			0	R

Parameter	Address	Range	Description	Default	Property
Ba4-6.RE.Imp(sum)	6780h	0.0~99999999.9kVARh	Ma、Mb、Ba1~12、Bb1~12 Ba1-3~Ba9-12、Bb1-3~Bb9-12 Import reactive energy (sum)	0	R
	6781h			0	R
Ba7.RE.Imp(sum)	6782h	0.0~99999999.9kVARh		0	R
	6783h			0	R
Ba8.RE.Imp(sum)	6784h	0.0~99999999.9kVARh		0	R
	6785h			0	R
Ba9.RE.Imp(sum)	6786h	0.0~99999999.9kVARh		0	R
	6787h			0	R
Ba7-9.RE.Imp(sum)	6788h	0.0~99999999.9kVARh		0	R
	6789h			0	R
Ba10.RE.Imp(sum)	678Ah	0.0~99999999.9kVARh		0	R
	678Bh			0	R
Ba11.RE.Imp(sum)	678Ch	0.0~99999999.9kVARh		0	R
	678Dh			0	R
Ba12.RE.Imp(sum)	678Eh	0.0~99999999.9kVARh		0	R
	678Fh			0	R
Ba10-12.RE.Imp(sum)	6790h	0.0~99999999.9kVARh		0	R
	6791h			0	R
Mb.RE.Imp(sum)	6792h	0.0~99999999.9kVARh		0	R
	6793h			0	R
Bb1.RE.Imp(sum)	6794h	0.0~99999999.9kVARh		0	R
	6795h			0	R
Bb2.RE.Imp(sum)	6796h	0.0~99999999.9kVARh		0	R
	6797h			0	R
Bb3.RE.Imp(sum)	6798h	0.0~99999999.9kVARh		0	R
	6799h			0	R
Bb1-3.RE.Imp(sum)	679Ah	0.0~99999999.9kVARh		0	R
	679Bh			0	R
Bb4.RE.Imp(sum)	679Ch	0.0~99999999.9kVARh		0	R
	679Dh			0	R
Bb5.RE.Imp(sum)	679Eh	0.0~99999999.9kVARh		0	R
	679Fh			0	R
Bb6.RE.Imp(sum)	67A0h	0.0~99999999.9kVARh		0	R
	67A1h			0	R
Bb4-6.RE.Imp(sum)	67A2h	0.0~99999999.9kVARh		0	R
	67A3h			0	R
Bb7.RE.Imp(sum)	67A4h	0.0~99999999.9kVARh		0	R
	67A5h			0	R
Bb8.RE.Imp(sum)	67A6h	0.0~99999999.9kVARh		0	R
	67A7h			0	R
Bb9.RE.Imp(sum)	67A8h	0.0~99999999.9kVARh		0	R
	67A9h			0	R
Bb7-9.RE.Imp(sum)	67AAh	0.0~99999999.9kVARh		0	R
	67ABh			0	R
Bb10.RE.Imp(sum)	67ACh	0.0~99999999.9kVARh		0	R
	67ADh			0	R
Bb11.RE.Imp(sum)	67AEh	0.0~99999999.9kVARh		0	R
	67AFh			0	R
Bb12.RE.Imp(sum)	67B0h	0.0~99999999.9kVARh	0	R	
	67B1h		0	R	
Bb10-12.RE.Imp(sum)	67B2h	0.0~99999999.9kVARh	0	R	
	67B3h		0	R	
Ma.SE(sum)	67B4h	0.0~99999999.9kVAh	Ma、Mb、Ba1~12、Bb1~12 Ba1-3~Ba9-12、Bb1-3~Bb9-12 Apparent energy (sum)	0	R
	67B5h			0	R
Ba1.SE(sum)	67B6h	0.0~99999999.9kVAh		0	R
	67B7h			0	R
Ba2.SE(sum)	67B8h	0.0~99999999.9kVAh		0	R
	67B9h			0	R
Ba3.SE(sum)	67BAh	0.0~99999999.9kVAh		0	R
	67BBh			0	R

Parameter	Address	Range	Description	Default	Property
Ba1-3.SE(sum)	67BCh	0.0~99999999.9kVAh	Ma、Mb、Ba1~12、Bb1~12 Ba1-3~Ba9-12、Bb1-3~Bb9-12 Apparent energy (sum)	0	R
	67BDh			0	R
Ba4.SE(sum)	67BEh	0.0~99999999.9kVAh		0	R
	67BFh			0	R
Ba5.SE(sum)	67C0h	0.0~99999999.9kVAh		0	R
	67C1h			0	R
Ba6.SE(sum)	67C2h	0.0~99999999.9kVAh		0	R
	67C3h			0	R
Ba4-6.SE(sum)	67C4h	0.0~99999999.9kVAh		0	R
	67C5h			0	R
Ba7.SE(sum)	67C6h	0.0~99999999.9kVAh		0	R
	67C7h			0	R
Ba8.SE(sum)	67C8h	0.0~99999999.9kVAh		0	R
	67C9h			0	R
Ba9.SE(sum)	67CAh	0.0~99999999.9kVAh		0	R
	67CBh			0	R
Ba7-9.SE(sum)	67CCh	0.0~99999999.9kVAh		0	R
	67CDh			0	R
Ba10.SE(sum)	67CEh	0.0~99999999.9kVAh		0	R
	67CFh			0	R
Ba11.SE(sum)	67D0h	0.0~99999999.9kVAh		0	R
	67D1h			0	R
Ba12.SE(sum)	67D2h	0.0~99999999.9kVAh		0	R
	67D3h			0	R
Ba10-12.SE(sum)	67D4h	0.0~99999999.9kVAh		0	R
	67D5h			0	R
Mb.SE(sum)	67D6h	0.0~99999999.9kVAh		0	R
	67D7h			0	R
Bb1.SE(sum)	67D8h	0.0~99999999.9kVAh		0	R
	67D9h			0	R
Bb2.SE(sum)	67DAh	0.0~99999999.9kVAh	0	R	
	67DBh		0	R	
Bb3.SE(sum)	67DCh	0.0~99999999.9kVAh	0	R	
	67DDh		0	R	
Bb1-3.SE(sum)	67DEh	0.0~99999999.9kVAh	0	R	
	67DFh		0	R	
Bb4.SE(sum)	67E0h	0.0~99999999.9kVAh	0	R	
	67E1h		0	R	
Bb5.SE(sum)	67E2h	0.0~99999999.9kVAh	0	R	
	67E3h		0	R	
Bb6.SE(sum)	67E4h	0.0~99999999.9kVAh	0	R	
	67E5h		0	R	
Bb4-6.SE(sum)	67E6h	0.0~99999999.9kVAh	0	R	
	67E7h		0	R	
Bb7.SE(sum)	67E8h	0.0~99999999.9kVAh	0	R	
	67E9h		0	R	
Bb8.SE(sum)	67EAh	0.0~99999999.9kVAh	0	R	
	67EBh		0	R	
Bb9.SE(sum)	67ECh	0.0~99999999.9kVAh	0	R	
	67EDh		0	R	
Bb7-9.SE(sum)	67EEh	0.0~99999999.9kVAh	0	R	
	67EFh		0	R	
Bb10.SE(sum)	67F0h	0.0~99999999.9kVAh	0	R	
	67F1h		0	R	
Bb11.SE(sum)	67F2h	0.0~99999999.9kVAh	0	R	
	67F3h		0	R	
Bb12.SE(sum)	67F4h	0.0~99999999.9kVAh	0	R	
	67F5h		0	R	
Bb10-12.SE(sum)	67F6h	0.0~99999999.9kVAh	0	R	
	67F7h		0	R	

Maximum main circuit TOU energy demand ( Function code : 03h ):

Parameter	Address	Range	Description	Default	Property	
Ma.Pt.DM.MAX (sharp)	67F8h	-999999999~999999999W	Maximum Ma total active power demand (sharp)	(High Word)	0	R
	67F9h			(Low Word)	0	R
Year	67FAh	2000~2099	Year	2015	R	
Month	67FBh	1~12	Month	1	R	
Day	67FCh	1~31	Day	1	R	
Hour	67FDh	0~23	Hour	0	R	
Minute	67FEh	0~59	Minute	0	R	
Second	67FFh	0~59	Second	0	R	
Ma.Qt.DM.MAX (sharp)	6800h	-999999999~999999999VAR	Maximum Ma total reactive power demand and time stamp (sharp)	0	R	
	6801h			0	R	
Year	6802h	2000~2099		2015	R	
Month	6803h	1~12		1	R	
Day	6804h	1~31		1	R	
Hour	6805h	0~23		0	R	
Minute	6806h	0~59		0	R	
Second	6807h	0~59		0	R	
Ma.St.DM.MAX (sharp)	6808h	0 ~ 999999999VA	Maximum Ma total apparent power demand and time stamp (sharp)	0	R	
	6809h			0	R	
Year	680Ah	2000~2099		2015	R	
Month	680Bh	1~12		1	R	
Day	680Ch	1~31		1	R	
Hour	680Dh	0~23		0	R	
Minute	680Eh	0~59		0	R	
Second	680Fh	0~59		0	R	
Ma.I1.DM.MAX (sharp)	6810h	0.000~9999.999A	Maximum Ma I1 current demand and time stamp (sharp)	0	R	
	6811h			0	R	
Year	6812h	2000~2099		2015	R	
Month	6813h	1~12		1	R	
Day	6814h	1~31		1	R	
Hour	6815h	0~23		0	R	
Minute	6816h	0~59		0	R	
Second	6817h	0~59		0	R	
Ma.I2.DM.MAX (sharp)	6818h	0.000~9999.999A	Maximum Ma I2 current demand and time stamp (sharp)	0	R	
	6819h			0	R	
Year	681Ah	2000~2099		2015	R	
Month	681Bh	1~12		1	R	
Day	681Ch	1~31		1	R	
Hour	681Dh	0~23		0	R	
Minute	681Eh	0~59		0	R	
Second	681Fh	0~59		0	R	
Ma.I3.DM.MAX (sharp)	6820h	0.000~9999.999A	Maximum Ma I3 current demand and time stamp (sharp)	0	R	
	6821h			0	R	
Year	6822h	2000~2099		2015	R	
Month	6823h	1~12		1	R	
Day	6824h	1~31		1	R	
Hour	6825h	0~23		0	R	
Minute	6826h	0~59		0	R	
Second	6827h	0~59		0	R	
Ma.IAVG.DM.MAX (sharp)	6828h	0.000~9999.999A	Maximum Ma average current demand and time stamp (sharp)	0	R	
	6829h			0	R	
Year	682Ah	2000~2099		2015	R	
Month	682Bh	1~12		1	R	
Day	682Ch	1~31		1	R	
Hour	682Dh	0~23		0	R	
Minute	682Eh	0~59		0	R	
Second	682Fh	0~59		0	R	



Parameter	Address	Range	Description	Default	Property	
Mb.Pt.DM.MAX (sharp)	6830h	-999999999~999999999W	Maximum Mb total active power demand and time stamp (sharp)	0	R	
	6831h			0	R	
	Year			2000~2099	2015	R
	Month			1~12	1	R
	Day			1~31	1	R
	Hour			0~23	0	R
	Minute			0~59	0	R
	Second			0~59	0	R
Mb.Qt.DM.MAX (sharp)	6838h	-999999999~999999999VAR	Maximum Mb total reactive power demand and time stamp (sharp)	0	R	
	6839h			0	R	
	Year			2000~2099	2015	R
	Month			1~12	1	R
	Day			1~31	1	R
	Hour			0~23	0	R
	Minute			0~59	0	R
	Second			0~59	0	R
Mb.St.DM.MAX (sharp)	6840h	0 ~ 999999999VA	Maximum Mb total apparent power demand and time stamp (sharp)	0	R	
	6841h			0	R	
	Year			2000~2099	2015	R
	Month			1~12	1	R
	Day			1~31	1	R
	Hour			0~23	0	R
	Minute			0~59	0	R
	Second			0~59	0	R
Mb.I1.DM.MAX (sharp)	6848h	0.000~9999.999A	Maximum Mb I1 current demand and time stamp (sharp)	0	R	
	6849h			0	R	
	Year			2000~2099	2015	R
	Month			1~12	1	R
	Day			1~31	1	R
	Hour			0~23	0	R
	Minute			0~59	0	R
	Second			0~59	0	R
Mb.I2.DM.MAX (sharp)	6850h	0.000~9999.999A	Maximum Mb I2 current demand and time stamp (sharp)	0	R	
	6851h			0	R	
	Year			2000~2099	2015	R
	Month			1~12	1	R
	Day			1~31	1	R
	Hour			0~23	0	R
	Minute			0~59	0	R
	Second			0~59	0	R
Mb.I3.DM.MAX (sharp)	6858h	0.000~9999.999A	Maximum Mb I3 current demand and time stamp (sharp)	0	R	
	6859h			0	R	
	Year			2000~2099	2015	R
	Month			1~12	1	R
	Day			1~31	1	R
	Hour			0~23	0	R
	Minute			0~59	0	R
	Second			0~59	0	R
Mb.IAVG.DM.MAX (sharp)	6860h	0.000~9999.999A	Maximum Mb average current demand and time stamp (sharp)	0	R	
	6861h			0	R	
	Year			2000~2099	2015	R
	Month			1~12	1	R
	Day			1~31	1	R
	Hour			0~23	0	R
	Minute			0~59	0	R
	Second			0~59	0	R

Parameter	Address	Range	Description	Default	Property	
Ma.Pt.DM.MAX (peak)	6868h	-999999999~999999999W	Maximum Ma total active power demand and time stamp (peak)	0	R	
	6869h			0	R	
	Year			2000~2099	2015	R
	Month			1~12	1	R
	Day			1~31	1	R
	Hour			0~23	0	R
	Minute			0~59	0	R
	Second			0~59	0	R
Ma.Qt.DM.MAX (peak)	6870h	-999999999~999999999VAR	Maximum Ma total reactive power demand and time stamp (peak)	0	R	
	6871h			0	R	
	Year			2000~2099	2015	R
	Month			1~12	1	R
	Day			1~31	1	R
	Hour			0~23	0	R
	Minute			0~59	0	R
	Second			0~59	0	R
Ma.St.DM.MAX (peak)	6878h	0 ~ 999999999VA	Maximum Ma total apparent power demand and time stamp (peak)	0	R	
	6879h			0	R	
	Year			2000~2099	2015	R
	Month			1~12	1	R
	Day			1~31	1	R
	Hour			0~23	0	R
	Minute			0~59	0	R
	Second			0~59	0	R
Ma.I1.DM.MAX (peak)	6880h	0.000~9999.999A	Maximum Ma I1 current demand and time stamp (peak)	0	R	
	6881h			0	R	
	Year			2000~2099	2015	R
	Month			1~12	1	R
	Day			1~31	1	R
	Hour			0~23	0	R
	Minute			0~59	0	R
	Second			0~59	0	R
Ma.I2.DM.MAX (peak)	6888h	0.000~9999.999A	Maximum Ma I2 current demand and time stamp (peak)	0	R	
	6889h			0	R	
	Year			2000~2099	2015	R
	Month			1~12	1	R
	Day			1~31	1	R
	Hour			0~23	0	R
	Minute			0~59	0	R
	Second			0~59	0	R
Ma.I3.DM.MAX (peak)	6890h	0.000~9999.999A	Maximum Ma I3 current demand and time stamp (peak)	0	R	
	6891h			0	R	
	Year			2000~2099	2015	R
	Month			1~12	1	R
	Day			1~31	1	R
	Hour			0~23	0	R
	Minute			0~59	0	R
	Second			0~59	0	R
Ma.IAVG.DM.MAX (peak)	6898h	0.000~9999.999A	Maximum Ma average current demand and time stamp (peak)	0	R	
	6899h			0	R	
	Year			2000~2099	2015	R
	Month			1~12	1	R
	Day			1~31	1	R
	Hour			0~23	0	R
	Minute			0~59	0	R
	Second			0~59	0	R

Parameter	Address	Range	Description	Default	Property	
Mb.Pt.DM.MAX (peak)	68A0h	-999999999~999999999W	Maximum Mb total active power demand and time stamp (peak)	0	R	
	68A1h			0	R	
Year	68A2h	2000~2099		2015	R	
Month	68A3h	1~12		1	R	
Day	68A4h	1~31		1	R	
Hour	68A5h	0~23		0	R	
Minute	68A6h	0~59		0	R	
Second	68A7h	0~59		0	R	
Mb.Qt.DM.MAX (peak)	68A8h	-999999999~999999999VAR	Maximum Mb total reactive power demand and time stamp (peak)	0	R	
	68A9h			0	R	
Year	68AAh			2000~2099	2015	R
Month	68ABh			1~12	1	R
Day	68ACh			1~31	1	R
Hour	68ADh			0~23	0	R
Minute	68AEh			0~59	0	R
Second	68AFh			0~59	0	R
Mb.St.DM.MAX (peak)	68B0h	0 ~ 999999999VA	Maximum Mb total apparent power demand and time stamp (peak)	0	R	
	68B1h			0	R	
Year	68B2h			2000~2099	2015	R
Month	68B3h			1~12	1	R
Day	68B4h			1~31	1	R
Hour	68B5h			0~23	0	R
Minute	68B6h			0~59	0	R
Second	68B7h			0~59	0	R
Mb.I1.DM.MAX (peak)	68B8h	0.000~9999.999A	Maximum Mb I1 current demand and time stamp (peak)	0	R	
	68B9h			0	R	
Year	68BAh			2000~2099	2015	R
Month	68BBh			1~12	1	R
Day	68BCh			1~31	1	R
Hour	68BDh			0~23	0	R
Minute	68BEh			0~59	0	R
Second	68BFh			0~59	0	R
Mb.I2.DM.MAX (peak)	68C0h	0.000~9999.999A	Maximum Mb I2 current demand and time stamp (peak)	0	R	
	68C1h			0	R	
Year	68C2h			2000~2099	2015	R
Month	68C3h			1~12	1	R
Day	68C4h			1~31	1	R
Hour	68C5h			0~23	0	R
Minute	68C6h			0~59	0	R
Second	68C7h			0~59	0	R
Mb.I3.DM.MAX (peak)	68C8h	0.000~9999.999A	Maximum Mb I3 current demand and time stamp (peak)	0	R	
	68C9h			0	R	
Year	68CAh			2000~2099	2015	R
Month	68CBh			1~12	1	R
Day	68CCh			1~31	1	R
Hour	68CDh			0~23	0	R
Minute	68CEh			0~59	0	R
Second	68CFh			0~59	0	R
Mb.IAVG.DM.MAX (peak)	68D0h	0.000~9999.999A	Maximum Mb average current demand and time stamp (peak)	0	R	
	68D1h			0	R	
Year	68D2h			2000~2099	2015	R
Month	68D3h			1~12	1	R
Day	68D4h			1~31	1	R
Hour	68D5h			0~23	0	R
Minute	68D6h			0~59	0	R
Second	68D7h			0~59	0	R

Parameter	Address	Range	Description	Default	Property	
Ma.Pt.DM.MAX (valley)	68D8h	-999999999~999999999W	Maximum Ma total active power demand and time stamp (valley)	0	R	
	68D9h			0	R	
	Year			2000~2099	2015	R
	Month			1~12	1	R
	Day			1~31	1	R
	Hour			0~23	0	R
	Minute			0~59	0	R
	Second			0~59	0	R
Ma.Qt.DM.MAX (valley)	68E0h	-999999999~999999999VAR	Maximum Ma total reactive power demand and time stamp (valley)	0	R	
	68E1h			0	R	
	Year			2000~2099	2015	R
	Month			1~12	1	R
	Day			1~31	1	R
	Hour			0~23	0	R
	Minute			0~59	0	R
	Second			0~59	0	R
Ma.St.DM.MAX (valley)	68E8h	0 ~ 999999999VA	Maximum Ma total apparent power demand and time stamp (valley)	0	R	
	68E9h			0	R	
	Year			2000~2099	2015	R
	Month			1~12	1	R
	Day			1~31	1	R
	Hour			0~23	0	R
	Minute			0~59	0	R
	Second			0~59	0	R
Ma.I1.DM.MAX (valley)	68F0h	0.000~9999.999A	Maximum Ma I1 current demand and time stamp (valley)	0	R	
	68F1h			0	R	
	Year			2000~2099	2015	R
	Month			1~12	1	R
	Day			1~31	1	R
	Hour			0~23	0	R
	Minute			0~59	0	R
	Second			0~59	0	R
Ma.I2.DM.MAX (valley)	68F8h	0.000~9999.999A	Maximum Ma I2 current demand and time stamp (valley)	0	R	
	68F9h			0	R	
	Year			2000~2099	2015	R
	Month			1~12	1	R
	Day			1~31	1	R
	Hour			0~23	0	R
	Minute			0~59	0	R
	Second			0~59	0	R
Ma.I3.DM.MAX (valley)	6900h	0.000~9999.999A	Maximum Ma I3 current demand and time stamp (valley)	0	R	
	6901h			0	R	
	Year			2000~2099	2015	R
	Month			1~12	1	R
	Day			1~31	1	R
	Hour			0~23	0	R
	Minute			0~59	0	R
	Second			0~59	0	R
Ma.IAVG.DM.MAX (valley)	6908h	0.000~9999.999A	Maximum Ma average current demand and time stamp (valley)	0	R	
	6909h			0	R	
	Year			2000~2099	2015	R
	Month			1~12	1	R
	Day			1~31	1	R
	Hour			0~23	0	R
	Minute			0~59	0	R
	Second			0~59	0	R

Parameter	Address	Range	Description	Default	Property	
Mb.Pt.DM.MAX (valley)	6910h	-999999999~999999999W	Maximum Mb total active power demand and time stamp (valley)	0	R	
	6911h			0	R	
	Year			2000~2099	2015	R
	Month			1~12	1	R
	Day			1~31	1	R
	Hour			0~23	0	R
	Minute			0~59	0	R
	Second			0~59	0	R
Mb.Qt.DM.MAX (valley)	6918h	-999999999~999999999VAR	Maximum Mb total reactive power demand and time stamp (valley)	0	R	
	6919h			0	R	
	Year			2000~2099	2015	R
	Month			1~12	1	R
	Day			1~31	1	R
	Hour			0~23	0	R
	Minute			0~59	0	R
	Second			0~59	0	R
Mb.St.DM.MAX (valley)	6920h	0 ~ 999999999VA	Maximum Mb total apparent power demand and time stamp (valley)	0	R	
	6921h			0	R	
	Year			2000~2099	2015	R
	Month			1~12	1	R
	Day			1~31	1	R
	Hour			0~23	0	R
	Minute			0~59	0	R
	Second			0~59	0	R
Mb.I1.DM.MAX (valley)	6928h	0.000~9999.999A	Maximum Mb I1 current demand and time stamp (valley)	0	R	
	6929h			0	R	
	Year			2000~2099	2015	R
	Month			1~12	1	R
	Day			1~31	1	R
	Hour			0~23	0	R
	Minute			0~59	0	R
	Second			0~59	0	R
Mb.I2.DM.MAX (valley)	6930h	0.000~9999.999A	Maximum Mb I2 current demand and time stamp (valley)	0	R	
	6931h			0	R	
	Year			2000~2099	2015	R
	Month			1~12	1	R
	Day			1~31	1	R
	Hour			0~23	0	R
	Minute			0~59	0	R
	Second			0~59	0	R
Mb.I3.DM.MAX (valley)	6938h	0.000~9999.999A	Maximum Mb I3 current demand and time stamp (valley)	0	R	
	6939h			0	R	
	Year			2000~2099	2015	R
	Month			1~12	1	R
	Day			1~31	1	R
	Hour			0~23	0	R
	Minute			0~59	0	R
	Second			0~59	0	R
Mb.IAVG.DM.MAX (valley)	6940h	0.000~9999.999A	Maximum Mb average current demand and time stamp (valley)	0	R	
	6941h			0	R	
	Year			2000~2099	2015	R
	Month			1~12	1	R
	Day			1~31	1	R
	Hour			0~23	0	R
	Minute			0~59	0	R
	Second			0~59	0	R

Parameter	Address	Range	Description	Default	Property
Ma.Pt.DM.MAX (normal)	6948h	-999999999~999999999W	Maximum Ma total active power demand and time stamp (normal)	0	R
	6949h			0	R
Year	2000~2099			2015	R
Month	1~12			1	R
Day	1~31			1	R
Hour	0~23			0	R
Minute	0~59			0	R
Second	0~59			0	R
Ma.Qt.DM.MAX (normal)	6950h	-999999999~999999999VAR	Maximum Ma total reactive power demand and time stamp (normal)	0	R
	6951h			0	R
Year	2000~2099			2015	R
Month	1~12			1	R
Day	1~31			1	R
Hour	0~23			0	R
Minute	0~59			0	R
Second	0~59			0	R
Ma.St.DM.MAX (normal)	6958h	0 ~ 999999999VA	Maximum Ma total apparent power demand and time stamp (normal)	0	R
	6959h			0	R
Year	2000~2099			2015	R
Month	1~12			1	R
Day	1~31			1	R
Hour	0~23			0	R
Minute	0~59			0	R
Second	0~59			0	R
Ma.I1.DM.MAX (normal)	6960h	0.000~9999.999A	Maximum Ma I1 current demand and time stamp (normal)	0	R
	6961h			0	R
Year	2000~2099			2015	R
Month	1~12			1	R
Day	1~31			1	R
Hour	0~23			0	R
Minute	0~59			0	R
Second	0~59			0	R
Ma.I2.DM.MAX (normal)	6968h	0.000~9999.999A	Maximum Ma I2 current demand and time stamp (normal)	0	R
	6969h			0	R
Year	2000~2099			2015	R
Month	1~12			1	R
Day	1~31			1	R
Hour	0~23			0	R
Minute	0~59			0	R
Second	0~59			0	R
Ma.I3.DM.MAX (normal)	6970h	0.000~9999.999A	Maximum Ma I3 current demand and time stamp (normal)	0	R
	6971h			0	R
Year	2000~2099			2015	R
Month	1~12			1	R
Day	1~31			1	R
Hour	0~23			0	R
Minute	0~59			0	R
Second	0~59			0	R
Ma.IAVG.DM.MAX (normal)	6978h	0.000~9999.999A	Maximum Ma average current demand and time stamp (normal)	0	R
	6979h			0	R
Year	2000~2099			2015	R
Month	1~12			1	R
Day	1~31			1	R
Hour	0~23			0	R
Minute	0~59			0	R
Second	0~59			0	R

Parameter	Address	Range	Description	Default	Property	
Mb.Pt.DM.MAX (normal)	6980h	-999999999~999999999W	Maximum Mb total active power demand and time stamp (normal)	0	R	
	6981h			0	R	
	Year			2000~2099	2015	R
	Month			1~12	1	R
	Day			1~31	1	R
	Hour			0~23	0	R
	Minute			0~59	0	R
	Second			0~59	0	R
Mb.Qt.DM.MAX (normal)	6988h	-999999999~999999999VAR	Maximum Mb total reactive power demand and time stamp (normal)	0	R	
	6989h			0	R	
	Year			2000~2099	2015	R
	Month			1~12	1	R
	Day			1~31	1	R
	Hour			0~23	0	R
	Minute			0~59	0	R
	Second			0~59	0	R
Mb.St.DM.MAX (normal)	6990h	0 ~ 999999999VA	Maximum Mb total apparent power demand and time stamp (normal)	0	R	
	6991h			0	R	
	Year			2000~2099	2015	R
	Month			1~12	1	R
	Day			1~31	1	R
	Hour			0~23	0	R
	Minute			0~59	0	R
	Second			0~59	0	R
Mb.I1.DM.MAX (normal)	6998h	0.000~9999.999A	Maximum Mb I1 current demand and time stamp (normal)	0	R	
	6999h			0	R	
	Year			2000~2099	2015	R
	Month			1~12	1	R
	Day			1~31	1	R
	Hour			0~23	0	R
	Minute			0~59	0	R
	Second			0~59	0	R
Mb.I2.DM.MAX (normal)	69A0h	0.000~9999.999A	Maximum Mb I2 current demand and time stamp (normal)	0	R	
	69A1h			0	R	
	Year			2000~2099	2015	R
	Month			1~12	1	R
	Day			1~31	1	R
	Hour			0~23	0	R
	Minute			0~59	0	R
	Second			0~59	0	R
Mb.I3.DM.MAX (normal)	69A8h	0.000~9999.999A	Maximum Mb I3 current demand and time stamp (normal)	0	R	
	69A9h			0	R	
	Year			2000~2099	2015	R
	Month			1~12	1	R
	Day			1~31	1	R
	Hour			0~23	0	R
	Minute			0~59	0	R
	Second			0~59	0	R
Mb.IAVG.DM.MAX (normal)	69B0h	0.000~9999.999A	Maximum Mb average current demand and time stamp (normal)	0	R	
	69B1h			0	R	
	Year			2000~2099	2015	R
	Month			1~12	1	R
	Day			1~31	1	R
	Hour			0~23	0	R
	Minute			0~59	0	R
	Second			0~59	0	R

Parameter	Address	Range	Description	Default	Property
Ma.Pt.DM.MAX (sum)	69B8h	-999999999~999999999W	Maximum Ma total active power demand and time stamp (sum)	0	R
	69B9h			0	R
	Year	2000~2099		2015	R
	Month	1~12		1	R
	Day	1~31		1	R
	Hour	0~23		0	R
	Minute	0~59		0	R
	Second	0~59		0	R
Ma.Qt.DM.MAX (sum)	69C0h	-999999999~999999999VAR	Maximum Ma total reactive power demand and time stamp (sum)	0	R
	69C1h			0	R
	Year	2000~2099		2015	R
	Month	1~12		1	R
	Day	1~31		1	R
	Hour	0~23		0	R
	Minute	0~59		0	R
	Second	0~59		0	R
Ma.St.DM.MAX (sum)	69C8h	0 ~ 999999999VA	Maximum Ma total apparent power demand and time stamp (sum)	0	R
	69C9h			0	R
	Year	2000~2099		2015	R
	Month	1~12		1	R
	Day	1~31		1	R
	Hour	0~23		0	R
	Minute	0~59		0	R
	Second	0~59		0	R
Ma.I1.DM.MAX (sum)	69D0h	0.000~9999.999A	Maximum Ma I1 current demand and time stamp (sum)	0	R
	69D1h			0	R
	Year	2000~2099		2015	R
	Month	1~12		1	R
	Day	1~31		1	R
	Hour	0~23		0	R
	Minute	0~59		0	R
	Second	0~59		0	R
Ma.I2.DM.MAX (sum)	69D8h	0.000~9999.999A	Maximum Ma I2 current demand and time stamp (sum)	0	R
	69D9h			0	R
	Year	2000~2099		2015	R
	Month	1~12		1	R
	Day	1~31		1	R
	Hour	0~23		0	R
	Minute	0~59		0	R
	Second	0~59		0	R
Ma.I3.DM.MAX (sum)	69E0h	0.000~9999.999A	Maximum Ma I3 current demand and time stamp (sum)	0	R
	69E1h			0	R
	Year	2000~2099		2015	R
	Month	1~12		1	R
	Day	1~31		1	R
	Hour	0~23		0	R
	Minute	0~59		0	R
	Second	0~59		0	R
Ma.IAVG.DM.MAX (sum)	69E8h	0.000~9999.999A	Maximum Ma average current demand and time stamp (sum)	0	R
	69E9h			0	R
	Year	2000~2099		2015	R
	Month	1~12		1	R
	Day	1~31		1	R
	Hour	0~23		0	R
	Minute	0~59		0	R
	Second	0~59		0	R



Parameter	Address	Range	Description	Default	Property		
Mb.Pt.DM.MAX(sum)	69F0h	-999999999~999999999W	Maximum Mb total active power demand and time stamp (sum)	0	R		
	69F1h			0	R		
Year	2000~2099	2015		R			
Month	1~12	1		R			
Day	1~31	1		R			
Hour	0~23	0		R			
Minute	0~59	0		R			
Second	0~59	0		R			
Mb.Qt.DM.MAX(sum)	69F8h	-999999999~999999999VAR		Maximum Mb total reactive power demand and time stamp (sum)	0	R	
	69F9h				0	R	
Year	2000~2099		2015		R		
Month	1~12		1		R		
Day	1~31		1		R		
Hour	0~23		0		R		
Minute	0~59		0		R		
Second	0~59		0		R		
Mb.St.DM.MAX(sum)	6A00h		0 ~ 999999999VA		Maximum Mb total apparent power demand and time stamp (sum)	0	R
	6A01h					0	R
Year	2000~2099	2015		R			
Month	1~12	1		R			
Day	1~31	1		R			
Hour	0~23	0		R			
Minute	0~59	0		R			
Second	0~59	0		R			
Mb.I1.DM.MAX(sum)	6A08h	0.000~9999.999A		Maximum Mb I1 current demand and time stamp (sum)		0	R
	6A09h					0	R
Year	2000~2099		2015		R		
Month	1~12		1		R		
Day	1~31		1		R		
Hour	0~23		0		R		
Minute	0~59		0		R		
Second	0~59		0		R		
Mb.I2.DM.MAX(sum)	6A10h		0.000~9999.999A		Maximum Mb I2 current demand and time stamp (sum)	0	R
	6A11h					0	R
Year	2000~2099	2015		R			
Month	1~12	1		R			
Day	1~31	1		R			
Hour	0~23	0		R			
Minute	0~59	0		R			
Second	0~59	0		R			
Mb.I3.DM.MAX(sum)	6A18h	0.000~9999.999A		Maximum Mb I3 current demand and time stamp (sum)		0	R
	6A19h					0	R
Year	2000~2099		2015		R		
Month	1~12		1		R		
Day	1~31		1		R		
Hour	0~23		0		R		
Minute	0~59		0		R		
Second	0~59		0		R		
Mb.IAVG.DM.MAX(sum)	6A20h		0.000~9999.999A		Maximum Mb average current demand and time stamp (sum)	0	R
	6A21h					0	R
Year	2000~2099	2015		R			
Month	1~12	1		R			
Day	1~31	1		R			
Hour	0~23	0		R			
Minute	0~59	0		R			
Second	0~59	0		R			
Max DM Clear	6A28h	0 or 55h		0:None 55h:Reset		0	W

TOU parameter setting ( Function code : 03h , 06h , 10h ):

Parameter	Address	Range	Description	Default	Property
Time zone	6A29h	1~4	Number of time zone	1	R/W
Time table	6A2Ah	1~8	Number of time table	1	R/W
Weekly rest	6A2Bh	0~127	bit0: Sunday; bit1~6: Monday to Saturday	64	R/W
Timetable of Weekly rest	6A2Ch	1~8	Select 1st ~ 8th time table for weekly rest	1	R/W
TOU enable	6A2Dh	0~1	0:disable 1:enable	0	R/W
Initialization of TOU	6A2Eh	0~1	0:disable 1:enable	0	R/W
Calculation of TOU	6A2Fh	0~1	0:end of month 1:setting day	0	R/W
Date and time of caculation	6A30h	1~31	Day	1	R/W
	6A31h	0~23	Hour	0	R/W
	6A32h	0~59	Minute	0	R/W
	6A33h	0~59	Second	0	R/W
Error code	6A34h	Refer to right	0: The setting of parameter is correct; if any error occurs , the TOU function will be stop execute 1: The date setting of the time zone is not a close cycle 2: The time table setting of the time zone is greater than number of time table 4: Year setting of multi-years error or greater than 5 years ;The time table setting of the multi-years is greater than number of time table 8:The time setting of the time interval is not a close cycle 16: The time table setting of the weekly rest is greater than number of time table 32: The time table setting of the single year holiday is greater than number of time table		R

Time zone setting parameter of TOU ( Function code : 03h , 06h , 10h ):

Parameter	Address	Range	Description	Default	Property
1st time zone setting	6A35h	1~12	Month	1	R/W
	6A36h	1~31	Day	1	
	6A37h	1~8	Time table of the 1st time zone	1	
2nd time zone setting	6A38h	1~12	Month	12	R/W
	6A39h	1~31	Day	31	
	6A3Ah	1~8	Time table of the 2nd time zone	1	
3rd time zone setting	6A3Bh	1~12	Month	12	R/W
	6A3Ch	1~31	Day	31	
	6A3Dh	1~8	Time table of the 3rd time zone	1	
4th time zone setting	6A3Eh	1~12	Month	12	R/W
	6A3Fh	1~31	Day	31	
	6A40h	1~8	Time table of the 4th time zone	1	

Time table parameter of TOU ( Function code : 03h , 06h , 10h ):

Parameter	Address	Range	Description	Default	Property
Time interval of 1st time table setting	6A41h	1~8	Number of time interval in the 1st time table	1	R/W
	6A42h	0~23	1st time interval of the 1st time table(hour)	0	R/W
	6A43h	0~59	1st time interval of the 1st time table(minute)	0	
	6A44h	0~3	1st time interval fee of the 1st time table 0:sharp 1:peak 2:valley 3:normal	0	
	6A45h	0~23	2nd time interval and fee of the 1st time table	23	R/W
	6A46h	0~59		59	
	6A47h	0~3		0	
	6A48h	0~23	3rd time interval and fee of the 1st time table	23	R/W
	6A49h	0~59		59	
	6A4Ah	0~3		0	
	6A4Bh	0~23	4th time interval and fee of the 1st time table	23	R/W
	6A4Ch	0~59		59	
	6A4Dh	0~3		0	
	6A4Eh	0~23	5th time interval and fee of the 1st time table	23	R/W
	6A4Fh	0~59		59	
	6A50h	0~3		0	
	6A51h	0~23	6 th time interval and fee of the 1st time table	23	R/W
	6A52h	0~59		59	
	6A53h	0~3		0	
	6A54h	0~23	7th time interval and fee of the 1st time table	23	R/W
6A55h	0~59	59			
6A56h	0~3	0			
6A57h	0~23	8th time interval and fee of the 1st time table	23	R/W	
6A58h	0~59		59		
6A59h	0~3		0		
Time interval of 2nd time table setting	6A5Ah	1~8	1st~8th time interval and fee of the 2nd time table	1	R/W
	6A5Bh	0~23		0	R/W
	6A5Ch	0~59		0	
	6A5Dh	0~3		0	
	6A5EH	0~23		23	R/W
	6A5Fh	0~59		59	
	6A60h	0~3		0	
	6A61h	0~23		23	R/W
	6A62h	0~59		59	
	6A63h	0~3		0	
	6A64h	0~23		23	R/W
	6A65h	0~59		59	
	6A66h	0~3		0	
	6A67h	0~23		23	R/W
	6A68h	0~59		59	
	6A69h	0~3		0	
	6A6Ah	0~23		23	R/W
	6A6Bh	0~59		59	
6A6Ch	0~3	0			
6A6Dh	0~23	23	R/W		
6A6Eh	0~59	59			
6A6Fh	0~3	0			

Parameter	Address	Range	Description	Default	Property
Time interval of 2nd time table setting	6A70h	0~23	1st~8th time interval and fee of the 2nd time table	23	R/W
	6A71h	0~59		59	
	6A72h	0~3		0	
Time interval of 3rd time table setting	6A73h	1~8	1st~8th time interval and fee of the 3rd time table	1	R/W
	6A74h	0~23		0	R/W
	6A75h	0~59		0	
	6A76h	0~3		0	
	6A77h	0~23		23	R/W
	6A78h	0~59		59	
	6A79h	0~3		0	
	6A7Ah	0~23		23	R/W
	6A7Bh	0~59		59	
	6A7Ch	0~3		0	
	6A7Dh	0~23		23	R/W
	6A7Eh	0~59		59	
	6A7Fh	0~3		0	
	6A80h	0~23		23	R/W
	6A81h	0~59		59	
	6A82h	0~3		0	
	6A83h	0~23		23	R/W
	6A84h	0~59		59	
	6A85h	0~3		0	
	6A86h	0~23		23	R/W
	6A87h	0~59		59	
	6A88h	0~3		0	
	6A89h	0~23		23	R/W
	6A8Ah	0~59		59	
6A8Bh	0~3	0			
Time interval of 4th time table setting	6A8Ch	1~8	1st~8th time interval and fee of the 4th time table	1	R/W
	6A8Dh	0~23		0	R/W
	6A8Eh	0~59		0	
	6A8Fh	0~3		0	
	6A90h	0~23		23	R/W
	6A91h	0~59		59	
	6A92h	0~3		0	
	6A93h	0~23		23	R/W
	6A94h	0~59		59	
	6A95h	0~3		0	
	6A96h	0~23		23	R/W
	6A97h	0~59		59	
	6A98h	0~3		0	
	6A99h	0~23		23	R/W
	6A9Ah	0~59		59	
	6A9Bh	0~3		0	
	6A9Ch	0~23		23	R/W
6A9Dh	0~59	59			
6A9Eh	0~3	0			

Parameter	Address	Range	Description	Default	Property
Time interval of 4th time table setting	6A9Fh	0~23	1st~8th time interval and fee of the 4th time table	23	R/W
	6AA0h	0~59		59	
	6AA1h	0~3		0	
	6AA2h	0~23		23	R/W
	6AA3h	0~59		59	
	6AA4h	0~3		0	
Time interval of 5th time table setting	6AA5h	1~8	1st~8th time interval and fee of the 5th time table	1	R/W
	6AA6h	0~23		0	R/W
	6AA7h	0~59		0	
	6AA8h	0~3		0	
	6AA9h	0~23		23	R/W
	6AAAh	0~59		59	
	6AABh	0~3		0	
	6AACH	0~23		23	R/W
	6AADh	0~59		59	
	6AAEh	0~3		0	
	6AAFh	0~23		23	R/W
	6AB0h	0~59		59	
	6AB1h	0~3		0	
	6AB2h	0~23		23	R/W
	6AB3h	0~59		59	
	6AB4h	0~3		0	
	6AB5h	0~23		23	R/W
	6AB6h	0~59		59	
	6AB7h	0~3		0	
	6AB8h	0~23		23	R/W
	6AB9h	0~59		59	
	6ABAh	0~3		0	
	6ABBh	0~23		23	R/W
	6ABCh	0~59		59	
6ABDh	0~3	0			
Time interval of 6th time table setting	6ABEh	1~8	1st~8th time interval and fee of the 6th time table	1	R/W
	6ABFh	0~23		0	R/W
	6AC0h	0~59		0	
	6AC1h	0~3		0	
	6AC2h	0~23		23	R/W
	6AC3h	0~59		59	
	6AC4h	0~3		0	
	6AC5h	0~23		23	R/W
	6AC6h	0~59		59	
	6AC7h	0~3		0	
	6AC8h	0~23		23	R/W
	6AC9h	0~59		59	
6ACAh	0~3	0			

Parameter	Address	Range	Description	Default	Property
Time interval of 6th time table setting	6ACBh	0~23	1st~8th time interval and fee of the 6th time table	23	R/W
	6ACCh	0~59		59	
	6ACDh	0~3		0	
	6ACEh	0~23		23	R/W
	6ACFh	0~59		59	
	6AD0h	0~3		0	
	6AD1h	0~23		23	R/W
	6AD2h	0~59		59	
	6AD3h	0~3		0	
	6AD4h	0~23		23	R/W
	6AD5h	0~59		59	
	6AD6h	0~3		0	
Time interval of 7th time table setting	6AD7h	1~8	1st~8th time interval and fee of the 7th time table	1	R/W
	6AD8h	0~23		0	R/W
	6AD9h	0~59		0	
	6ADAh	0~3		0	
	6ADBh	0~23		23	R/W
	6ADCh	0~59		59	
	6ADDh	0~3		0	
	6ADEh	0~23		23	R/W
	6ADFh	0~59		59	
	6AE0h	0~3		0	
	6AE1h	0~23		23	R/W
	6AE2h	0~59		59	
	6AE3h	0~3		0	
	6AE4h	0~23		23	R/W
	6AE5h	0~59		59	
	6AE6h	0~3		0	
	6AE7h	0~23		23	R/W
	6AE8h	0~59		59	
	6AE9h	0~3		0	
	6AEAh	0~23		23	R/W
6AEBh	0~59	59			
6AECh	0~3	0			
6AEDh	0~23	23	R/W		
6AEEh	0~59	59			
6AEFh	0~3	0			
Time interval of 8th time table setting	6AF0h	1~8	1st~8th time interval and fee of the 8th time table	1	R/W
	6AF1h	0~23		0	R/W
	6AF2h	0~59		0	
	6AF3h	0~3		0	
	6AF4h	0~23		23	R/W
	6AF5h	0~59		59	
	6AF6h	0~3		0	

Parameter	Address	Range	Description	Default	Property
Time interval of 8th time table setting	6AF7h	0~23	1st~8th time interval and fee of the 8th time table	23	R/W
	6AF8h	0~59		59	
	6AF9h	0~3		0	
	6AFAh	0~23		23	R/W
	6AFBh	0~59		59	
	6AFCh	0~3		0	
	6AFDh	0~23		23	R/W
	6AFEh	0~59		59	
	6AFFh	0~3		0	
	6B00h	0~23		23	R/W
	6B01h	0~59		59	
	6B02h	0~3		0	
	6B03h	0~23		23	R/W
	6B04h	0~59		59	
	6B05h	0~3		0	
	6B06h	0~23		23	R/W
6B07h	0~59	59			
6B08h	0~3	0			

Special day parameter of TOU ( Function code : 03h , 06h , 10h ):

Parameter	Address	Range	Description	Default	Property
Multi-years	6B09h	0~1	0:disable 1:enable	1	R/W
	6B0Ah	2000~2099	Start year of multi-years ( $1 < (\text{End year} - \text{Start year}) + 1 \leq 5$ )	2015	R/W
	6B0Bh	2000~2099	End year of multi-years	2015	R/W
Number of holiday	6B0Ch	0~20	Number of holiday in a year	0	R/W
1st holiday	6B0Dh	1~12	Date of the 1st holiday (month)	1	R/W
	6B0Eh	1~31	Date of the 1st holiday (Day)	1	
	6B0Fh	1~8	Time table of the 1st holiday	1	
2nd holiday	6B10h	1~12	Date and the time table of the 2nd holiday	1	R/W
	6B11h	1~31		1	
	6B12h	1~8		1	
3rd holiday	6B13h	1~12	Date and the time table of the 3rd holiday	1	R/W
	6B14h	1~31		1	
	6B15h	1~8		1	

Parameter	Address	Range	Description	Default	Property
4th holiday	6B16h	1~12	Date and the time table of the 4th holiday	1	R/W
	6B17h	1~31		1	
	6B18h	1~8		1	
5th holiday	6B19h	1~12	Date and the time table of the 5th holiday	1	R/W
	6B1Ah	1~31		1	
	6B1Bh	1~8		1	
6th holiday	6B1Ch	1~12	Date and the time table of the 6th holiday	1	R/W
	6B1Dh	1~31		1	
	6B1Eh	1~8		1	
7th holiday	6B1Fh	1~12	Date and the time table of the 7th holiday	1	R/W
	6B20h	1~31		1	
	6B21h	1~8		1	
8th holiday	6B22h	1~12	Date and the time table of the 8th holiday	1	R/W
	6B23h	1~31		1	
	6B24h	1~8		1	
9th holiday	6B25h	1~12	Date and the time table of the 9th holiday	1	R/W
	6B26h	1~31		1	
	6B27h	1~8		1	
10th holiday	6B28h	1~12	Date and the time table of the 10th holiday	1	R/W
	6B29h	1~31		1	
	6B2Ah	1~8		1	
11th holiday	6B2Bh	1~12	Date and the time table of the 11th holiday	1	R/W
	6B2Ch	1~31		1	
	6B2Dh	1~8		1	
12th holiday	6B2Eh	1~12	Date and the time table of the 12th holiday	1	R/W
	6B2Fh	1~31		1	
	6B30h	1~8		1	
13th holiday	6B31h	1~12	Date and the time table of the 13th holiday	1	R/W
	6B32h	1~31		1	
	6B33h	1~8		1	
14th holiday	6B34h	1~12	Date and the time table of the 14th holiday	1	R/W
	6B35h	1~31		1	
	6B36h	1~8		1	
15th holiday	6B37h	1~12	Date and the time table of the 15th holiday	1	R/W
	6B38h	1~31		1	
	6B39h	1~8		1	
16th holiday	6B3Ah	1~12	Date and the time table of the 16th holiday	1	R/W
	6B3Bh	1~31		1	
	6B3Ch	1~8		1	
17th holiday	6B3Dh	1~12	Date and the time table of the 17th holiday	1	R/W
	6B3Eh	1~31		1	
	6B3Fh	1~8		1	
18th holiday	6B40h	1~12	Date and the time table of the 18th holiday	1	R/W
	6B41h	1~31		1	
	6B42h	1~8		1	
19th holiday	6B43h	1~12	Date and the time table of the 19th holiday	1	R/W
	6B44h	1~31		1	
	6B45h	1~8		1	
20th holiday	6B46h	1~12	Date and the time table of the 20th holiday	1	R/W
	6B47h	1~31		1	
	6B48h	1~8		1	



The 1st year holiday setting( Function code : 03h , 06h , 10h ):

Parameter	Address	Range	Description	Default	Property
1st year	6B49h	2000~2099	Setup of 1st year	2015	R/W
Number of holiday	6B4Ah	0~20	Number of holiday for the 1st year	0	R/W
1st holiday	6B4Bh	1~12	Date of the 1st holiday (month)	1	R/W
	6B4Ch	1~31	Date of the 1st holiday (day)	1	
	6B4Dh	1~8	Time table of the 1st holiday	1	
2nd holiday	6B4Eh	1~12	Date and the time table of the 2nd holiday	1	R/W
	6B4Fh	1~31		1	
	6B50h	1~8		1	
3rd holiday	6B51h	1~12	Date and the time table of the 3rd holiday	1	R/W
	6B52h	1~31		1	
	6B53h	1~8		1	
4th holiday	6B54h	1~12	Date and the time table of the 4th holiday	1	R/W
	6B55h	1~31		1	
	6B56h	1~8		1	
5th holiday	6B57h	1~12	Date and the time table of the 5th holiday	1	R/W
	6B58h	1~31		1	
	6B59h	1~8		1	
6th holiday	6B5Ah	1~12	Date and the time table of the 6th holiday	1	R/W
	6B5Bh	1~31		1	
	6B5Ch	1~8		1	
7th holiday	6B5Dh	1~12	Date and the time table of the 7th holiday	1	R/W
	6B5Eh	1~31		1	
	6B5Fh	1~8		1	
8th holiday	6B60h	1~12	Date and the time table of the 8th holiday	1	R/W
	6B61h	1~31		1	
	6B62h	1~8		1	
9th holiday	6B63h	1~12	Date and the time table of the 9th holiday	1	R/W
	6B64h	1~31		1	
	6B65h	1~8		1	
10th holiday	6B66h	1~12	Date and the time table of the 10th holiday	1	R/W
	6B67h	1~31		1	
	6B68h	1~8		1	
11th holiday	6B69h	1~12	Date and the time table of the 11th holiday	1	R/W
	6B6Ah	1~31		1	
	6B6Bh	1~8		1	
12th holiday	6B6Ch	1~12	Date and the time table of the 12th holiday	1	R/W
	6B6Dh	1~31		1	
	6B6Eh	1~8		1	
13th holiday	6B6Fh	1~12	Date and the time table of the 13th holiday	1	R/W
	6B70h	1~31		1	
	6B71h	1~8		1	
14th holiday	6B72h	1~12	Date and the time table of the 14th holiday	1	R/W
	6B73h	1~31		1	
	6B74h	1~8		1	
15th holiday	6B75h	1~12	Date and the time table of the 15th holiday	1	R/W
	6B76h	1~31		1	
	6B77h	1~8		1	
16th holiday	6B78h	1~12	Date and the time table of the 16th holiday	1	R/W
	6B79h	1~31		1	
	6B7Ah	1~8		1	
17th holiday	6B7Bh	1~12	Date and the time table of the 17th holiday	1	R/W
	6B7Ch	1~31		1	
	6B7Dh	1~8		1	
18th holiday	6B7Eh	1~12	Date and the time table of the 18th holiday	1	R/W
	6B7Fh	1~31		1	
	6B80h	1~8		1	
19th holiday	6B81h	1~12	Date and the time table of the 19th holiday	1	R/W
	6B82h	1~31		1	
	6B83h	1~8		1	
20th holiday	6B84h	1~12	Date and the time table of the 20th holiday	1	R/W
	6B85h	1~31		1	
	6B86h	1~8		1	

The 2nd year holiday setting( Function code : 03h , 06h , 10h ):

Parameter	Address	Range	Description	Default	Property
2nd year	6B87h	2000~2099	Parameters setting of 2nd year holidays	2015	R/W
Number of holiday	6B88h	0~20		0	R/W
1st holiday	6B89h	1~12		1	R/W
	6B8Ah	1~31		1	
	6B8Bh	1~8		1	
2nd holiday	6B8Ch	1~12		1	R/W
	6B8Dh	1~31		1	
	6B8Eh	1~8		1	
3rd holiday	6B8Fh	1~12		1	R/W
	6B90h	1~31		1	
	6B91h	1~8		1	
4th holiday	6B92h	1~12		1	R/W
	6B93h	1~31		1	
	6B94h	1~8		1	
5th holiday	6B95h	1~12		1	R/W
	6B96h	1~31		1	
	6B97h	1~8		1	
6th holiday	6B98h	1~12		1	R/W
	6B99h	1~31		1	
	6B9Ah	1~8		1	
7th holiday	6B9Bh	1~12		1	R/W
	6B9Ch	1~31		1	
	6B9Dh	1~8		1	
8th holiday	6B9Eh	1~12		1	R/W
	6B9Fh	1~31		1	
	6BA0h	1~8		1	
9th holiday	6BA1h	1~12		1	R/W
	6BA2h	1~31		1	
	6BA3h	1~8		1	
10th holiday	6BA4h	1~12		1	R/W
	6BA5h	1~31		1	
	6BA6h	1~8		1	
11th holiday	6BA7h	1~12		1	R/W
	6BA8h	1~31		1	
	6BA9h	1~8		1	
12th holiday	6BAAh	1~12		1	R/W
	6BABh	1~31		1	
	6BACh	1~8		1	
13th holiday	6BADh	1~12		1	R/W
	6BAEh	1~31		1	
	6BAFh	1~8		1	
14th holiday	6BB0h	1~12		1	R/W
	6BB1h	1~31		1	
	6BB2h	1~8		1	
15th holiday	6BB3h	1~12		1	R/W
	6BB4h	1~31		1	
	6BB5h	1~8		1	
16th holiday	6BB6h	1~12		1	R/W
	6BB7h	1~31	1		
	6BB8h	1~8	1		
17th holiday	6BB9h	1~12	1	R/W	
	6BBAh	1~31	1		
	6BBBh	1~8	1		
18th holiday	6BBCh	1~12	1	R/W	
	6BBDh	1~31	1		
	6BBEh	1~8	1		
19th holiday	6BBFh	1~12	1	R/W	
	6BC0h	1~31	1		
	6BC1h	1~8	1		
20th holiday	6BC2h	1~12	1	R/W	
	6BC3h	1~31	1		
	6BC4h	1~8	1		

The 3rd year holiday setting( Function code : 03h , 06h , 10h ):

Parameter	Address	Range	Description	Default	Property
3rd year	6BC5h	2000~2099	Parameters setting of 3rd year holidays	2015	R/W
Number of holiday	6BC6h	0~20		0	R/W
1st holiday	6BC7h	1~12		1	R/W
	6BC8h	1~31		1	
	6BC9h	1~8		1	
2nd holiday	6BCAh	1~12		1	R/W
	6BCBh	1~31		1	
	6BCCh	1~8		1	
3rd holiday	6BCDh	1~12		1	R/W
	6BCEh	1~31		1	
	6BCFh	1~8		1	
4th holiday	6BD0h	1~12		1	R/W
	6BD1h	1~31		1	
	6BD2h	1~8		1	
5th holiday	6BD3h	1~12		1	R/W
	6BD4h	1~31		1	
	6BD5h	1~8		1	
6th holiday	6BD6h	1~12		1	R/W
	6BD7h	1~31		1	
	6BD8h	1~8		1	
7th holiday	6BD9h	1~12		1	R/W
	6BDAh	1~31		1	
	6BDBh	1~8		1	
8th holiday	6BDCh	1~12		1	R/W
	6BDDh	1~31		1	
	6BDEh	1~8		1	
9th holiday	6BDFh	1~12		1	R/W
	6BE0h	1~31		1	
	6BE1h	1~8		1	
10th holiday	6BE2h	1~12		1	R/W
	6BE3h	1~31		1	
	6BE4h	1~8		1	
11th holiday	6BE5h	1~12		1	R/W
	6BE6h	1~31		1	
	6BE7h	1~8		1	
12th holiday	6BE8h	1~12		1	R/W
	6BE9h	1~31		1	
	6BEAh	1~8		1	
13th holiday	6BEBh	1~12		1	R/W
	6BECh	1~31		1	
	6BEDh	1~8	1		
14th holiday	6BEEh	1~12	1	R/W	
	6BEFh	1~31	1		
	6BF0h	1~8	1		
15th holiday	6BF1h	1~12	1	R/W	
	6BF2h	1~31	1		
	6BF3h	1~8	1		
16th holiday	6BF4h	1~12	1	R/W	
	6BF5h	1~31	1		
	6BF6h	1~8	1		
17th holiday	6BF7h	1~12	1	R/W	
	6BF8h	1~31	1		
	6BF9h	1~8	1		
18th holiday	6BFAh	1~12	1	R/W	
	6BFBh	1~31	1		
	6BFCh	1~8	1		
19th holiday	6BFDh	1~12	1	R/W	
	6BFEh	1~31	1		
	6BFFh	1~8	1		
20th holiday	6C00h	1~12	1	R/W	
	6C01h	1~31	1		
	6C02h	1~8	1		

The 4th year holiday setting( Function code : 03h , 06h , 10h ):

Parameter	Address	Range	Description	Default	Property
4th year	6C03h	2000~2099	Parameters setting of 4th year holidays	2015	R/W
Number of holiday	6C04h	0~20		0	R/W
1st holiday	6C05h	1~12		1	R/W
	6C06h	1~31		1	
	6C07h	1~8		1	
2nd holiday	6C08h	1~12		1	R/W
	6C09h	1~31		1	
	6C0Ah	1~8		1	
3rd holiday	6C0Bh	1~12		1	R/W
	6C0Ch	1~31		1	
	6C0Dh	1~8		1	
4th holiday	6C0Eh	1~12		1	R/W
	6C0Fh	1~31		1	
	6C10h	1~8		1	
5th holiday	6C11h	1~12		1	R/W
	6C12h	1~31		1	
	6C13h	1~8		1	
6th holiday	6C14h	1~12		1	R/W
	6C15h	1~31		1	
	6C16h	1~8		1	
7th holiday	6C17h	1~12		1	R/W
	6C18h	1~31		1	
	6C19h	1~8		1	
8th holiday	6C1Ah	1~12		1	R/W
	6C1Bh	1~31		1	
	6C1Ch	1~8		1	
9th holiday	6C1Dh	1~12		1	R/W
	6C1Eh	1~31		1	
	6C1Fh	1~8		1	
10th holiday	6C20h	1~12		1	R/W
	6C21h	1~31		1	
	6C22h	1~8		1	
11th holiday	6C23h	1~12		1	R/W
	6C24h	1~31		1	
	6C25h	1~8		1	
12th holiday	6C26h	1~12		1	R/W
	6C27h	1~31		1	
	6C28h	1~8		1	
13th holiday	6C29h	1~12		1	R/W
	6C2Ah	1~31		1	
	6C2Bh	1~8	1		
14th holiday	6C2Ch	1~12	1	R/W	
	6C2Dh	1~31	1		
	6C2Eh	1~8	1		
15th holiday	6C2Fh	1~12	1	R/W	
	6C30h	1~31	1		
	6C31h	1~8	1		
16th holiday	6C32h	1~12	1	R/W	
	6C33h	1~31	1		
	6C34h	1~8	1		
17th holiday	6C35h	1~12	1	R/W	
	6C36h	1~31	1		
	6C37h	1~8	1		
18th holiday	6C38h	1~12	1	R/W	
	6C39h	1~31	1		
	6C3Ah	1~8	1		
19th holiday	6C3Bh	1~12	1	R/W	
	6C3Ch	1~31	1		
	6C3Dh	1~8	1		
20th holiday	6C3Eh	1~12	1	R/W	
	6C3Fh	1~31	1		
	6C40h	1~8	1		

The 5th year holiday setting( Function code : 03h , 06h , 10h ):

Parameter	Address	Range	Description	Default	Property
5th year	6C41h	2000~2099	Parameters setting of 5th year holidays	2015	R/W
Number of holiday	6C42h	0~20		0	R/W
1st holiday	6C43h	1~12		1	R/W
	6C44h	1~31		1	
	6C45h	1~8		1	
2nd holiday	6C46h	1~12		1	R/W
	6C47h	1~31		1	
	6C48h	1~8		1	
3rd holiday	6C49h	1~12		1	R/W
	6C4Ah	1~31		1	
	6C4Bh	1~8		1	
4th holiday	6C4Ch	1~12		1	R/W
	6C4Dh	1~31		1	
	6C4Eh	1~8		1	
5th holiday	6C4Fh	1~12		1	R/W
	6C50h	1~31		1	
	6C51h	1~8		1	
6th holiday	6C52h	1~12		1	R/W
	6C53h	1~31		1	
	6C54h	1~8		1	
7th holiday	6C55h	1~12		1	R/W
	6C56h	1~31		1	
	6C57h	1~8		1	
8th holiday	6C58h	1~12		1	R/W
	6C59h	1~31		1	
	6C5Ah	1~8		1	
9th holiday	6C5Bh	1~12		1	R/W
	6C5Ch	1~31		1	
	6C5Dh	1~8		1	
10th holiday	6C5EH	1~12		1	R/W
	6C5Fh	1~31		1	
	6C60h	1~8		1	
11th holiday	6C61h	1~12		1	R/W
	6C62h	1~31		1	
	6C63h	1~8		1	
12th holiday	6C64h	1~12		1	R/W
	6C65h	1~31		1	
	6C66h	1~8		1	
13th holiday	6C67h	1~12		1	R/W
	6C68h	1~31		1	
	6C69h	1~8	1		
14th holiday	6C6Ah	1~12	1	R/W	
	6C6Bh	1~31	1		
	6C6Ch	1~8	1		
15th holiday	6C6Dh	1~12	1	R/W	
	6C6Eh	1~31	1		
	6C6Fh	1~8	1		
16th holiday	6C70h	1~12	1	R/W	
	6C71h	1~31	1		
	6C72h	1~8	1		
17th holiday	6C73h	1~12	1	R/W	
	6C74h	1~31	1		
	6C75h	1~8	1		
18th holiday	6C76h	1~12	1	R/W	
	6C77h	1~31	1		
	6C78h	1~8	1		
19th holiday	6C79h	1~12	1	R/W	
	6C7Ah	1~31	1		
	6C7Bh	1~8	1		
20th holiday	6C7Ch	1~12	1	R/W	
	6C7Dh	1~31	1		
	6C7Eh	1~8	1		