

FEATURES

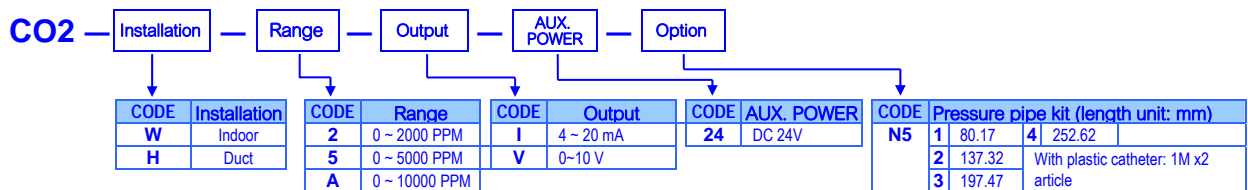
The CO₂ - carbon dioxide level is recently regarded as an important parameter that substantially determines the quality of the interior climate. With the CO₂ Concentration Transmitter, people can optimize the ventilation for creation of a healthy interior climate, and agriculturist can make the plants grow faster and healthier

APPLICATION

- Building HVAC management
- climate technology
- Schools, universities
- weather stations
- Environmental Control and Monitoring System
- meeting rooms, hospitals, cinemas, theatres
- parking lot/ greenhouse/ warehouse



ORDERING INFORMATION



TECHNICAL SPECIFICATION

Sensing signal: NDIR infrared non-distributed sensor
Measurement range: 2000 / 5000 / 10000 PPM
Operating range: 2000 / 5000 / 10000 PPM
Output signal: 0~10V or 4~20mA
Accuracy: ±30ppm±3 %
Sensitivity: ±20ppm±1 %
Load impedance: Output:4~20mA , ≤ 500Ω ; Output:0~10V , ≥ 10KΩ ;
Reaction time: Wall Mount : 20 sec Diffusion time
Duct Type : @ 2 m/s wind speed , < 15 min .
Measuring medium: Non-eroding gas in HVAC systems.
Zero and span adjustment: Zero & Span 10 %
Medium temperature: 0~50°C
Wiring: Three-wire
Zero point error: ±30ppm/10K
Range of measurement error: ±30ppm/10K

Working environment

Operating Temperature: 0 ~ 50°C
Relative humidity: 0 ~ 95 %RH, Non-condensing
Storage Temperature: -30 ~ 70°C

Power supply

Power Supply: DC 24V±10%
Power consumption: < 70mA
Start-up current: > 0.6A
Electrical connection: M12 Quick Connect seat

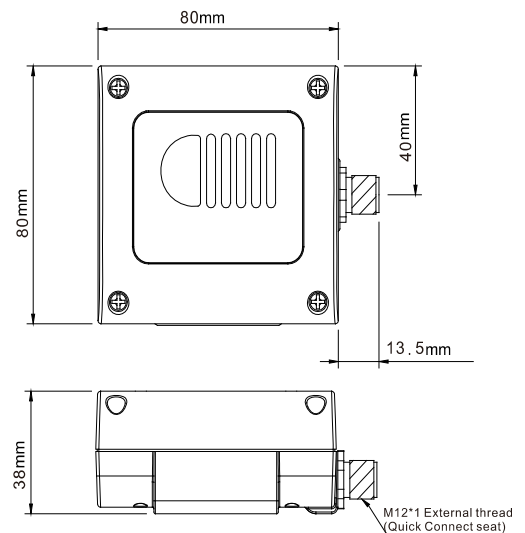
Mounting

Hosing classification: Wall-mounted / Duct type
Electrical protection: Wall-mounted type:IP54 / Duct type:IP64
 Over voltage/Reverse power protection

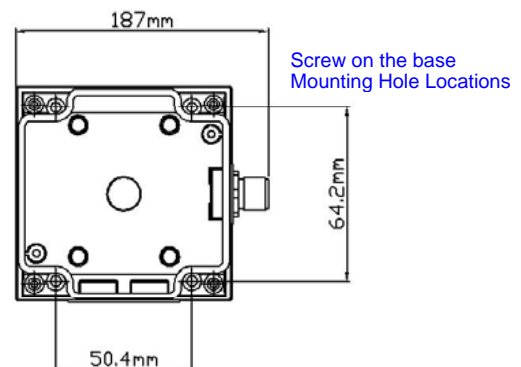
Mechanical

Dimensions: Main : 80mm(W) x 80mm(H) x 38mm(D)
Housing material: Flame retardant ABS
Probe material: Flame retardant ABS
Weight: Wall-mounted : 140g
Fixed: Wall -mounted: screw on
Duct-mounted: Flange mounting
Optional Accessories Probe length, N51~N54, for Duct-mounted kit

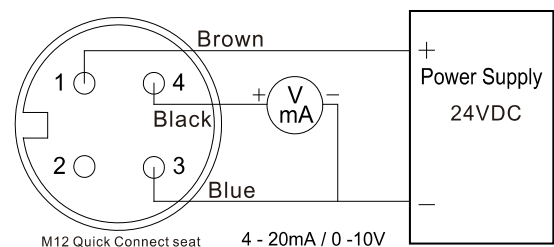
FRONT PANEL



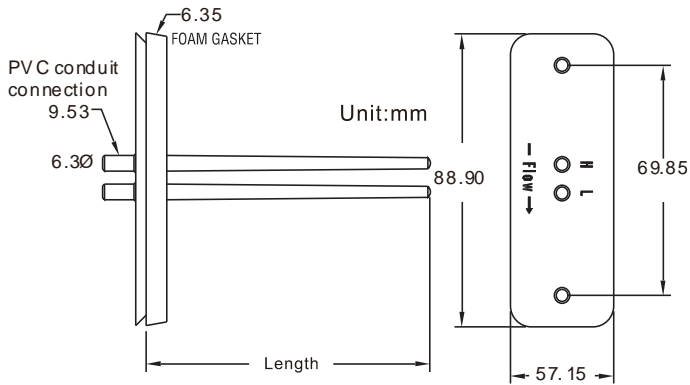
DIMENSIONS



CONNECTION DIAGRAM

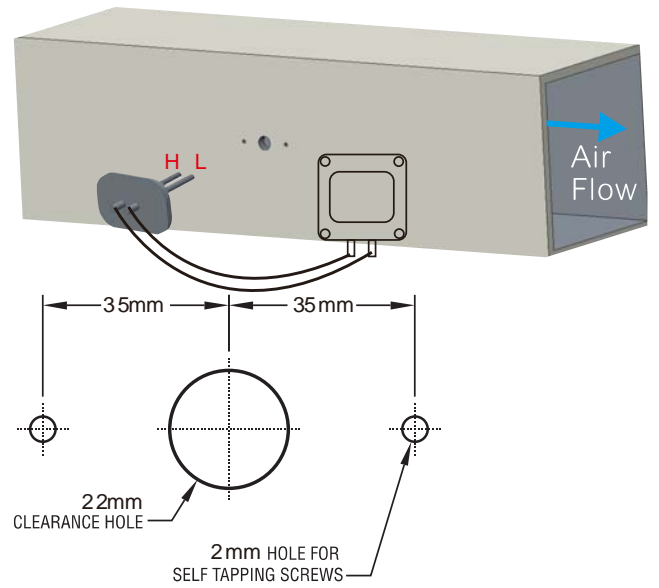


■ PROBE DIMENSION



Model	Probe Lengths	Unit (mm)
N-51	80.17	6.3 Ø transparent probe length is H 1M / L 1M. Total Length is 2M.
N-52	137.32	
N-53	195.47	
N-54	252.62	

■ PROBE CUT-OUT DIMENSION



tube diameter: $\Phi 22\text{mm}$; screw diameter $\Phi 2\text{mm}$