

# CO1 Carbon Monoxide CO Transmitter (Indoor use)

## ■ Features

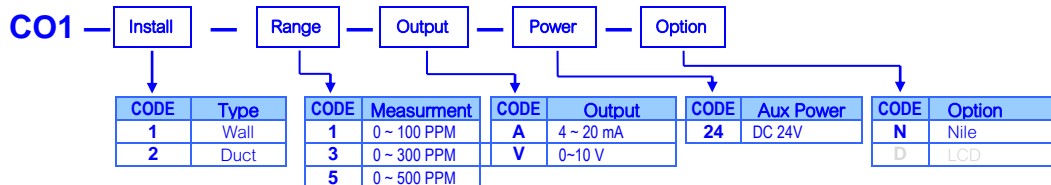
Long life span, Electrochemistry sensing theory, low gas interference,  
External sensor increase accuracy and CO acuity,  
High Stability, linear output.

## ■ Applications

HVAC air-con system \ Instrument equipment/Environment monitoring  
and system control, Car Park/Green house ,farm etc  
(Product use only in environmental monitoring control)



## ■ Product code



## ■ Specifications

**Sensor :** Electrochemistry CO sensor  
**Input :** Specify  
**Range :** 0~500PPM  
**Output :** 0~10V OR 4~20mA  
**Accuracy :** ±3 % F.S  
**Acuity :** < ±10ppm  
**Load Resistance :** Output 4~20mA , ≤500Ω ;  
 Output 0~10V , ≥10KΩ ;  
**Response Time :** 60 sec (Diffusion time)  
**Wiring :** 3 Wire type  
**Measuring medium :** Non-invasive gas \ In HVAC (Air-con \ ventilation )  
 systems.  
**Zero and span setting :** Adjustable range 10 %  
**Medium temperature range :** 0~50° C  
**Zero Basis :** <10ppm

### Temperature

**Working Temperature :** 0 ~ 50° C  
**Humidity :** 5 ~ 95 %RH,(Non-condensing)  
**Storage :** -10 ~ 60° C

### Power

**Auxiliary :** DC 24V ±10%  
**Power Consumption :** <40mA ;Display <80mA  
**Operating Current :** >0.6A  
**Electric connection :** 3P Terminal and M16 head fastener

### Installation

**Type :** Wall Mount / Duct  
**Protection Class :** Body IP64 / Sensor:IP20  
**Electric Protection :** Over Voltage / Reverse wire

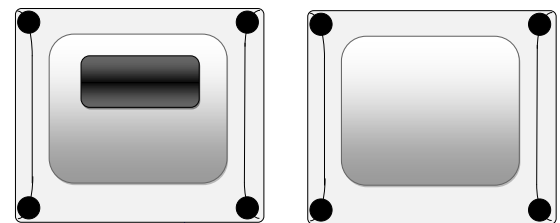
### Hardware

**Dimension :** Body : 80mm(W) x 80mm(L) x38mm(H)  
**Case :** PC non-flammable  
**Weight :** Wall Mount165g / Duct:210g  
**Mounting :** Base screw mount

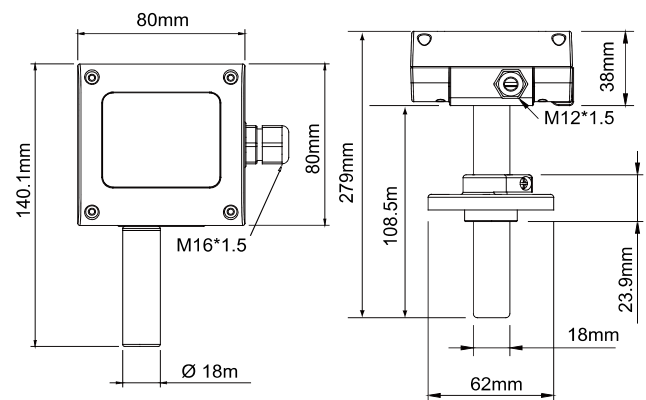
### Display panel(LCD Type only)

**Display type:** LCD module and backlight  
**Display range:** According to specify range, single row digit  
**Digits Height:** 5.56mm

## ■ Front Panel



## ■ Dimension



## ■ Wiring diagram

