

PX DIAPHRAGM PRESSURE Transducers

DESCRIPTION

The pressure transmitter PX with integrated pulse-snubber (over 160Kg) is designed for use in hydraulic applications with severe medium influences like cavitations; liquid hammer or pressure peaks and offers a reliable pressure measurement, even under harsh environmental conditions.

Excellent vibration stability, robust construction, and a high degree of EMC/EMI protection equip the pressure transmitter to meet the most stringent industrial requirements.



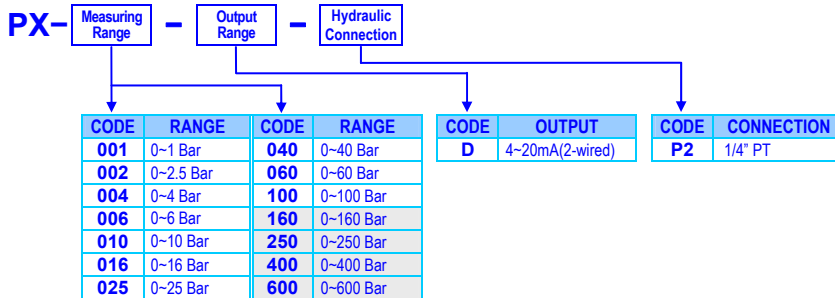
FEATURE

- Measurement of gauge pressure with high accuracy 0.5%
- Enclosure and wetted parts of acid-resistant stainless steel (AISI 316L)
- Highly resistant to process conditions
- Low cost & high stability

APPLICATIONS

- pneumatic compressors, hydraulic systems, pump monitoring, oil field equipment and control systems

ORDERING INFORMATION



TECHNICAL SPECIFICATION

Measurement Range:	0~1 to 600 bar with diaphragm
Accuracy:	≤ ± 0.5% FS (typ.) ; ± 1% FS (max.)
Linearity:	≤ ± 0.2% FS
Hysteresis:	≤ ± 0.1% FS
Zero thermal drift:	≤ ± 0.1% FS / 10K (typ.) ; ≤ ± 0.2% FS / 10K (max.)
Span thermal drift:	≤ ± 0.1% FS / 10K (typ.) ; ≤ ± 0.2% FS / 10K (max.)
Response Time:	≤ 4 msec (Liquids with viscosity < 100 CST) ≤ 35 msec (Air)
Overload:	Min. 6.0×FS (max. 1500 bar)
Burst Pressure:	6.0×FS (max. 2000 bar)
Durability:	> 10×10 ⁶ cycles (10~90% FS)

Electrical specifications

Power Supply:	9 ~ 32 Vdc, Polarity protected
Output Signal:	4~20mA(2 wire)
Current limit:	≤ 28 mA
Load Impedance:	$R_L \leq (V_{ES}-9V)/0.02 A$
Insulation resistance:	≥ 100M ohm at 100Vdc

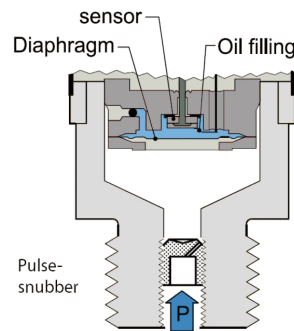
Environmental

Operating temp.:	-40°C ~ 85°C
Operating humi. (%rh):	≤ 95% non-condensing
Temp. Compensated:	0°C ~ 80°C
Storage temperature:	-40~85 °C
Enclosure:	IP65 (DIN connector)
Vibration resistance:	1.5 mm (10~55 Hz), 20g

Materials

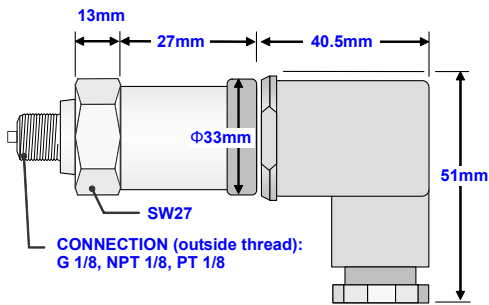
Wetted parts:	AISI 316 L Outside thread: 1/4" PT
Enclosure:	AISI 316 L
Electrical	Plug DIN 43650 Pg. 9 Glass filled polyamide, PA 6.6 Female plug: Glass filled polyester, PBT
Weight:	About 0.3 Kg

WETTED PARTS STRUCTURE



If the range is over 100Kg, the Pulse-snubber will be installed in wet parts.

■ DIMENSIONS



■ ASSESORY

2 WIRE FIELD INDICATOR



Please refer to the page EP-01 for detail specification.

Display: 0~9999(Programmable)

Alarm Output(option): 2 points; Open collect

Connection: DIN connector 43650-A

Power Drift: ≤ 4.5V, 3mA

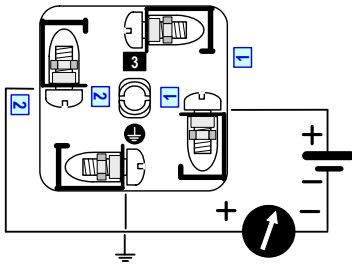
DC Power supply



Please refer to the page EA-02-CSP-2 for detail specification.

Rated: 0~20W/~500W

■ CONNECTION DIAGRAM



2 wired connection